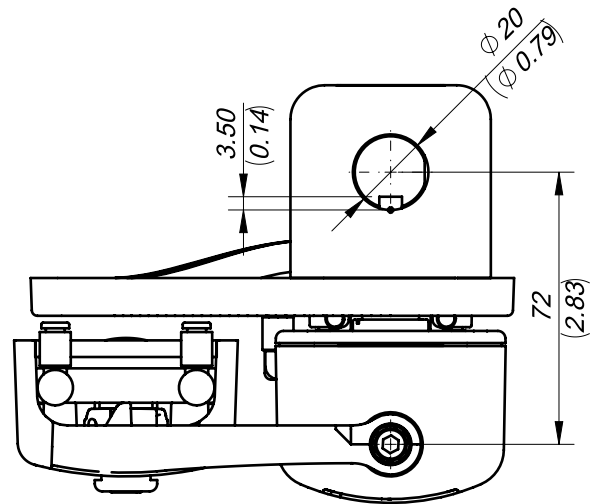


DETAIL A
2:1



mm
(in)