

HDCT

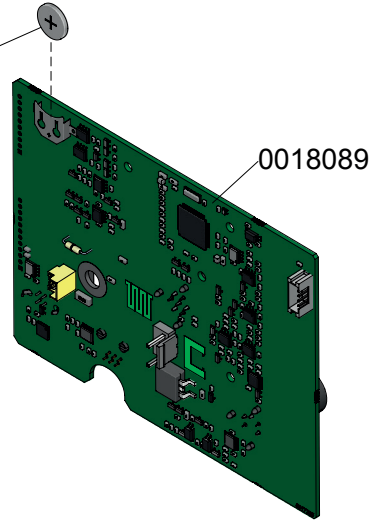
Heavy Duty Solder Pot Station

Ref.: **HDCT-9A** 100V
HDCT-1A 120V
HDCT-2A 230V

HDE CONTROL UNIT



0013489
BATTERY
CR1220



SPARE PARTS

CT-SA:

- LIFTERS	0029883
- ALLEN KEY Ø2MM	0916030
- TRAY	0016749
- KNOB	0015841
- PROTECTIVE SCREEN	0030739

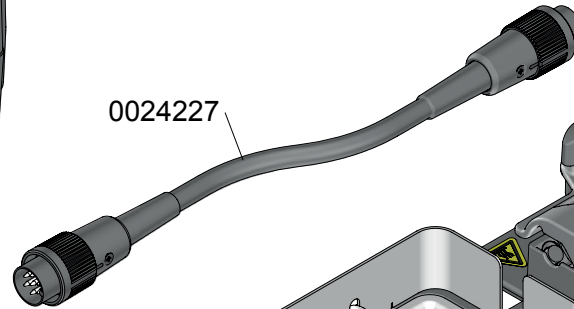
SPARE PARTS

HDE CONTROL UNIT:

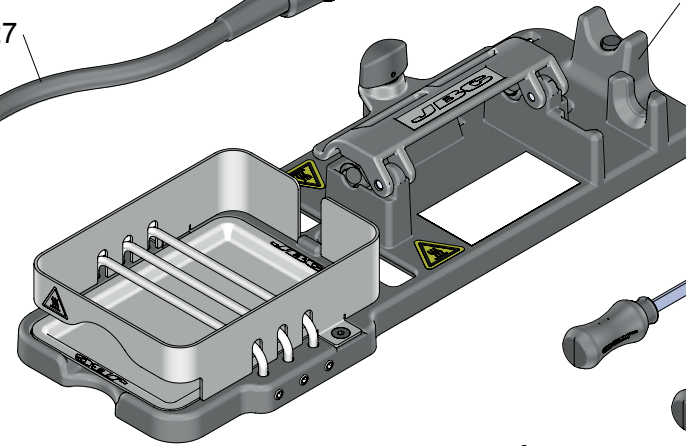
-REAR CIRCUIT	0018089
-ENCLOSURE	
· TOP	0019028
· BOTTOM	0014567
· FRONT+DISPLAY	0031188
· BACK	0021064

Ref.: **HDCT-9A** 100V FUSE T-4A
HDCT-1A 120V FUSE T-4A
HDCT-2A 230V FUSE T-2A

0024227

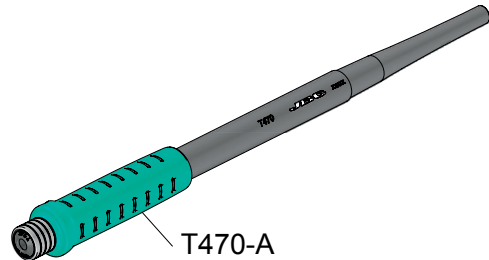
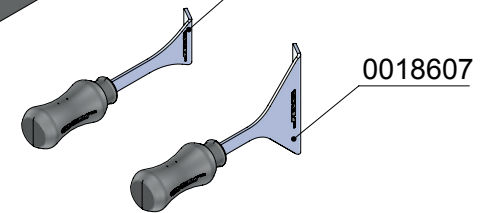


CT-SA

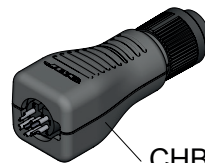


0018606

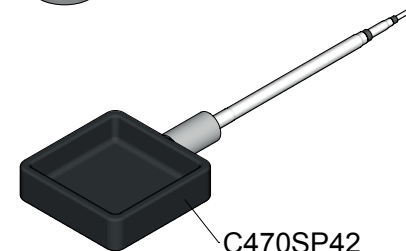
0018607



T470-A



CHB



C470SP42