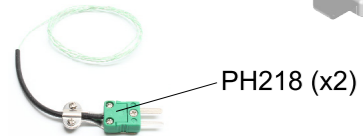
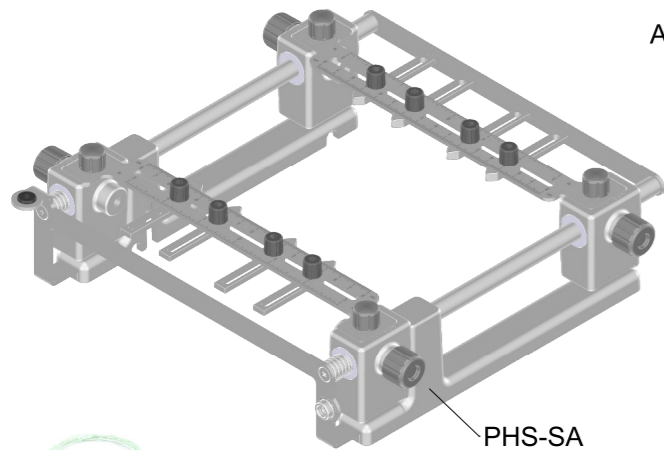
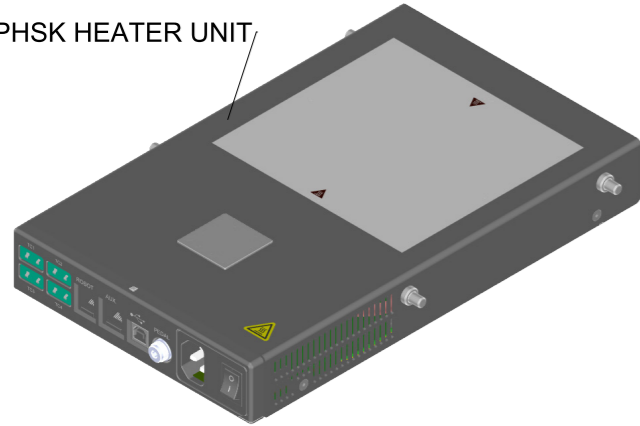


SRS

SMD Rework System
 Ref.: **SRWS-9SC** 100V
SRWS-1SC 120V
SRWS-2SC 230V

PHSK HEATER UNIT

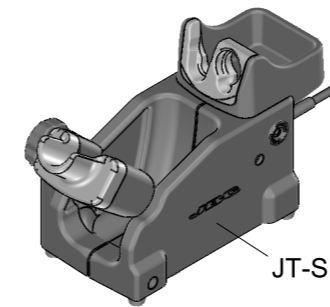
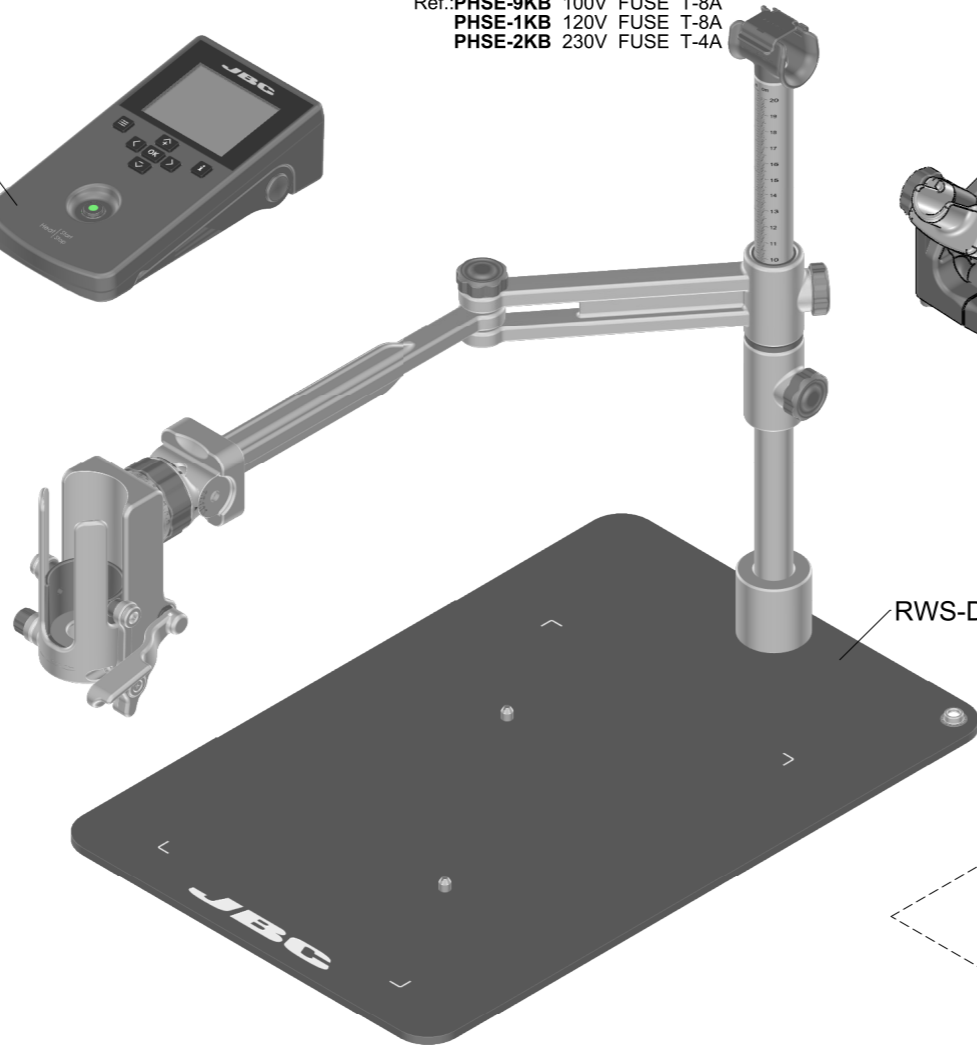


PH217



0019914

ACE-A



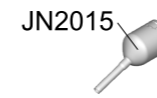
JT-SF



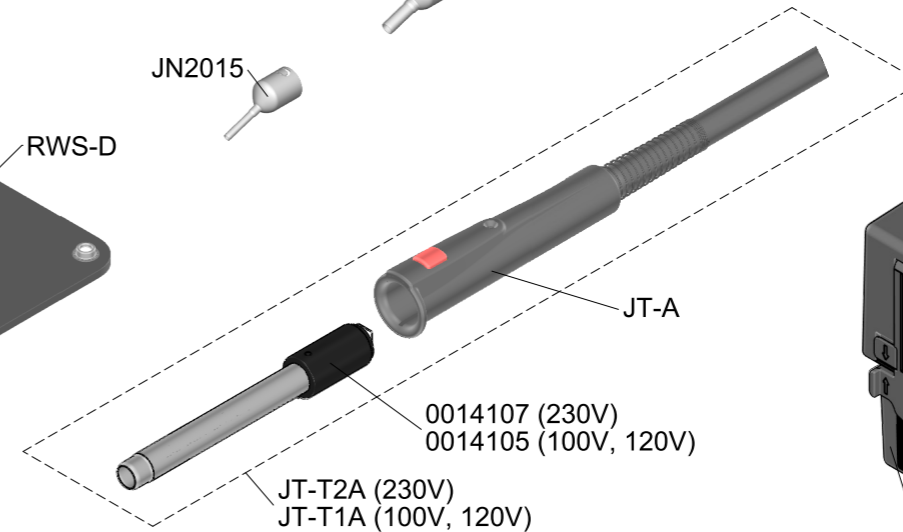
JN2020



JN2012



JN2015



JT-A

0014107 (230V)
 0014105 (100V, 120V)

JT-T2A (230V)
 JT-T1A (100V, 120V)

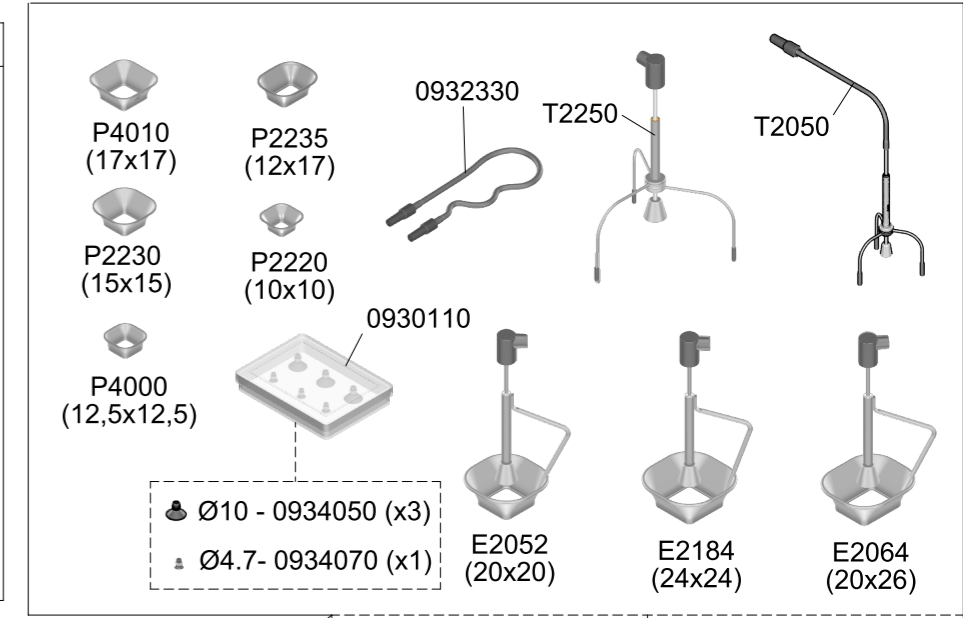
JTU CONTROL UNIT

SPARE PARTS	
RWS:	
-TOOL HEIGH ADJ. KNOB:	0017053
-ROTATION ADJ. KNOB:	0017054
-HEIGHT ADJ. KNOB:	0017055
-HOSE CLAMP:	0017056
-SCREW:	0017057
-JT TOOL ADAPTER:	0017058
-TE TOOL ADAPTER:	0017059
PHSK HEATER UNIT:	
-CIRCUIT (230V):	0021106
-CIRCUIT (120V):	0021110
-CIRCUIT (100V):	0021111
-LAMP (230V):	0016585
-LAMP (100V, 120V):	0016586
-GLASS:	0016609
-ENCLOSURES:	
· TOP	0021152
· BOTTOM	0026518

Ref.: **PHSE-9KB** 100V FUSE T-8A
PHSE-1KB 120V FUSE T-8A
PHSE-2KB 230V FUSE T-4A

SPARE PARTS	
JTU CONTROL UNIT:	
-ENCLOSURES:	
· TOP	0019028
· BOTTOM	0026196
· FRONT	0026199
· BACK	0026195
FOR REF. JTSE-1UA:	
-CIRCUIT	0024361
-SUCTION PUMP	0026338
-HOT AIR PUMP	0018769
FOR REF. JTSE-2UA:	
-CIRCUIT	0024360
-SUCTION PUMP	0026337
-HOT AIR PUMP	0018769

Ref.: **JTSE-1UA** 100/120V FUSE T-8A
JTSE-2UA 230V FUSE T-4A



P4010
(17x17)

P2235
(12x17)

0932330

T2250

T2050

P2230
(15x15)

P2220
(10x10)

0930110

P4000
(12,5x12,5)

Ø10 - 0934050 (x3)
 Ø4.7 - 0934070 (x1)

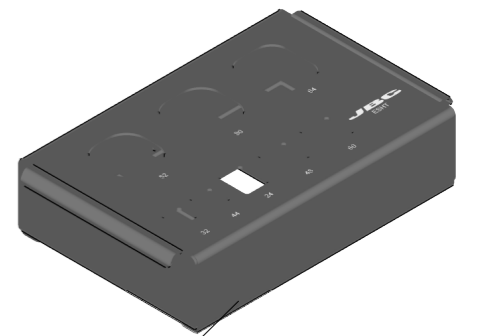
E2052
(20x20)

E2184
(24x24)

E2064
(20x26)

ESHT-A

0027797



0027964