

JBC

www.jbctools.com

INSTRUCTION MANUAL



ALI

Handsfree Stand & Fume Extractor
for ALE250

This manual corresponds to the following reference:

AL-IA

Packing List

The following items are included:



Handsfree Stand & Fume Extractor for ALE250 1 unit

Manual 1 unit
Ref. 0003540

Assembly *(see page 2 and 3)*

Assemble the rod to the base (1) and the height regulator to the rod (2).

Then assemble the tool fixation for to the fume extractor tube (3).

Insert the fume extractor tube into the opening of the height regulator (4) until its end comes out on the back side. Afterwards assemble the flexible hose to the fume extractor tube (5).

Fix ALE250 by means of the tool fixation to the fume extractor tube (6) and connect it with the control unit (7).

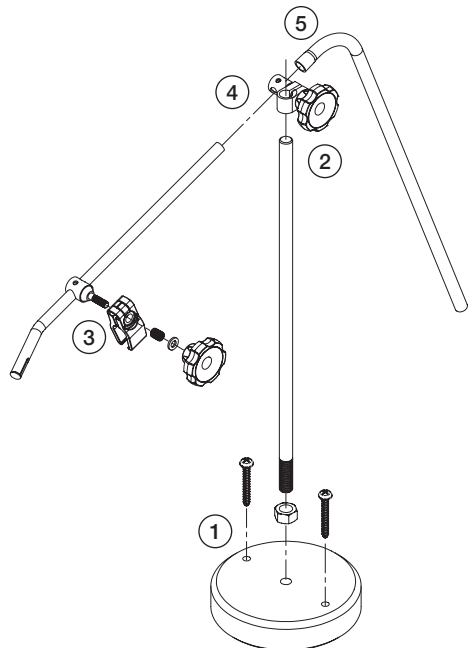
Finally connect the flexible hose to your filter and suction pump (8) and the pedal to the control unit at its rear side (9).

Features

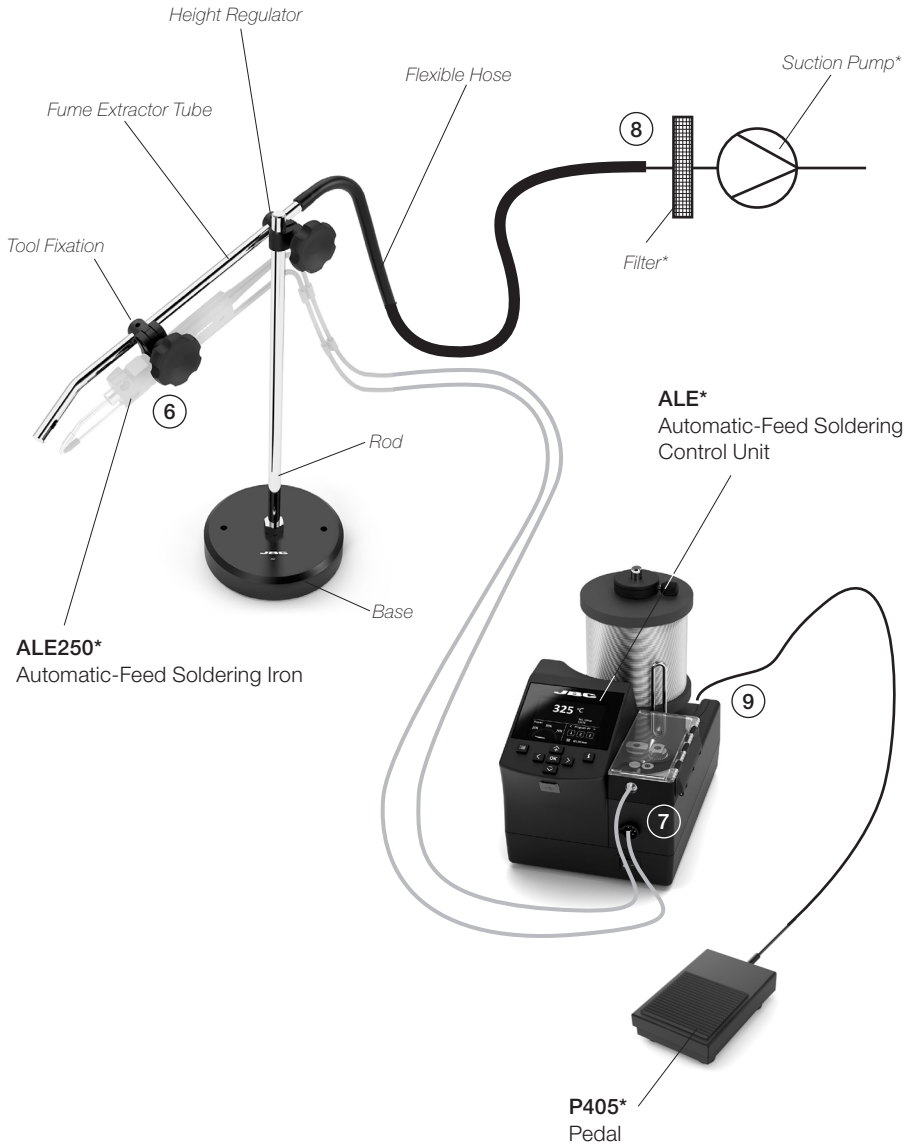
ALI Handsfree Stand is ideal for those applications requiring to have both hands free, like cable soldering or connector assembly.

The handsfree stand is used with ALE250 Automatic Feed Soldering Iron and to have both hands free must also be used and connected P405 Pedal to ALE control unit.

The handsfree stand incorporates a fume extraction system to suck the fume generated during soldering. Its fume extraction hose must be connected to an required extraction pump with filter.



Work Place Example



*Not included, sold separately

Specifications

ALI

Handsfree Stand & Fume Extractor for ALE250

Ref. **AL-IA**

- | | |
|--------------------------------|----------------------------------|
| - Total Net Weight: | 4.16 kg / 9.18 lb |
| - Package Dimensions / Weight: | 382 x 159 x 91 mm / 4.43 kg |
| (L x W x H) | 15.04 x 6.26 x 3.58 in / 9.77 lb |

Complies with CE standards.

JBC

Warranty

JBC's 2 year warranty covers this equipment against all manufacturing defects, including the replacement of defective parts and labour.

Warranty does not cover product wear or misuse.

In order for the warranty to be valid, equipment must be returned, postage paid, to the dealer where it was purchased.



This product should not be thrown in the garbage.

In accordance with the European directive 2012/19/EU, electronic equipment at the end of its life must be collected and returned to an authorized recycling facility.



www.jbctools.com

0003540-090424