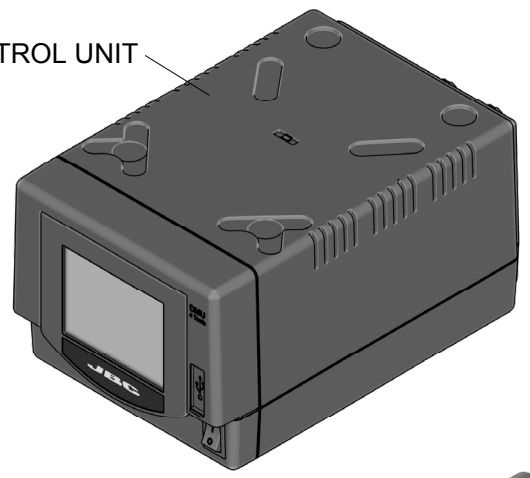


DMS

4-Tool DMU Desoldering Station

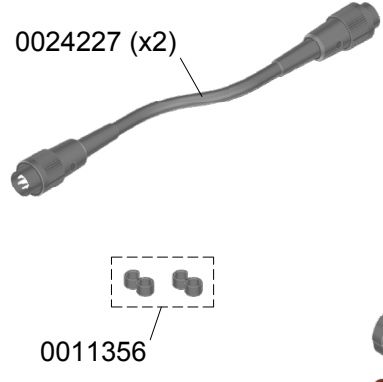
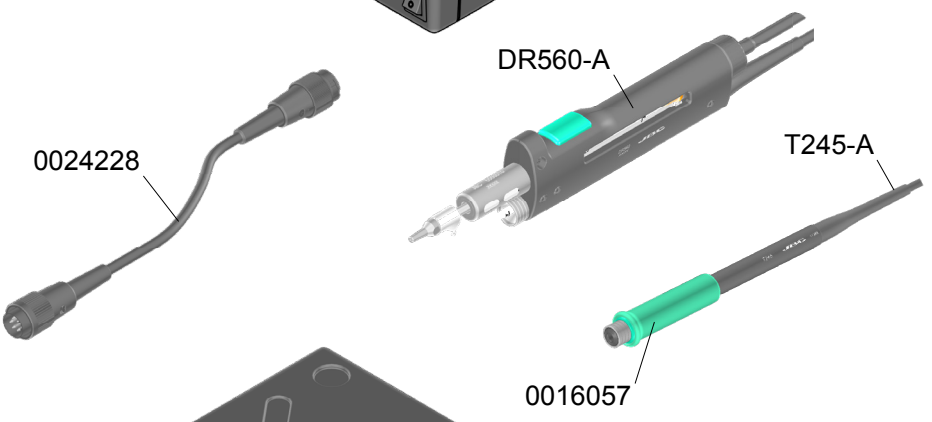
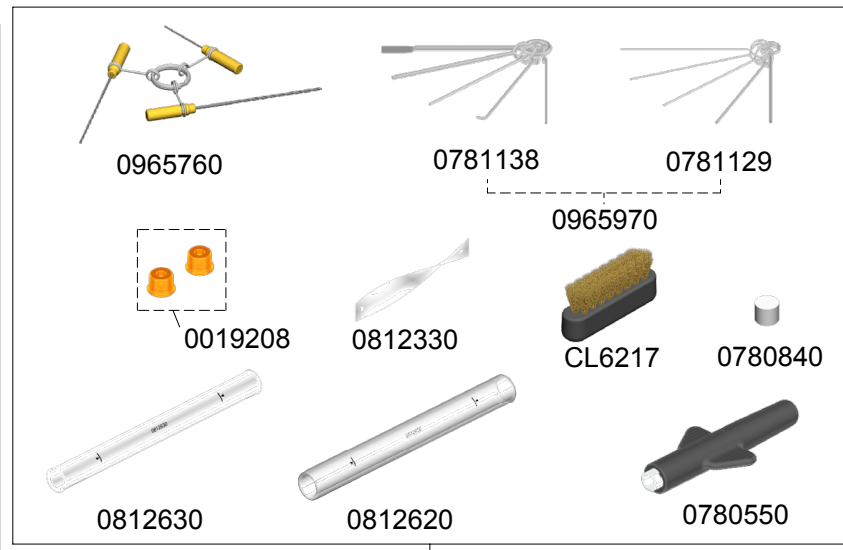
- Ref.: **DMSE-9QB** 100V
- DMSE-1QB** 120V
- DMSE-2QB** 230V

DMU CONTROL UNIT



SPARE PARTS	
DMU CONTROL UNIT	
-CIRCUIT	0028821
-ENCLOSURE	
· TOP	0019028
· BOTTOM	0026182
· FRONT+DISPLAY	0026184
· BACK	0026183
MSE ELECTRIC DESOLDERING MODULE	
-CIRCUIT	0018453
-ENCLOSURE	
· TOP	0015266
· BOTTOM	0022642
· FRONT	0014688
· BACK	0015261
-PUMP	0005652

Ref.: **DMSE-9QB** 100V FUSE T-8A
DMSE-1QB 120V FUSE T-6A
DMSE-2QB 230V FUSE T-3,15A



MSE ELECTRIC DESOLDERING MODULE

