

CS

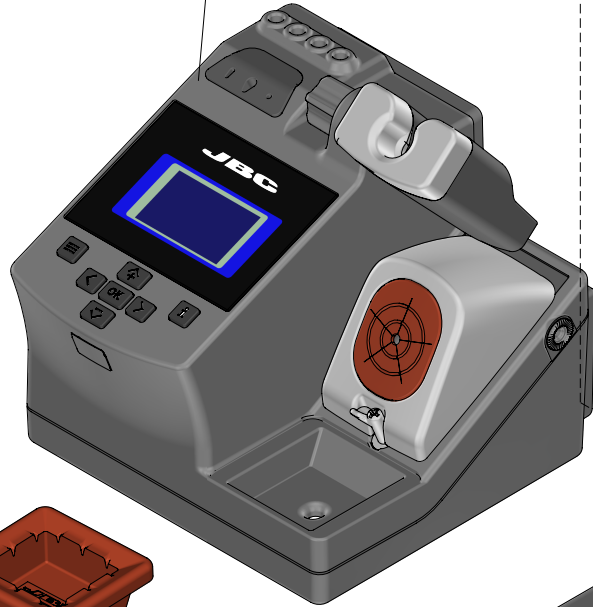
Precision Desoldering Station

Ref.: **CS-9F** 100V
CS-1F 120V
CS-2F 230V

0024028

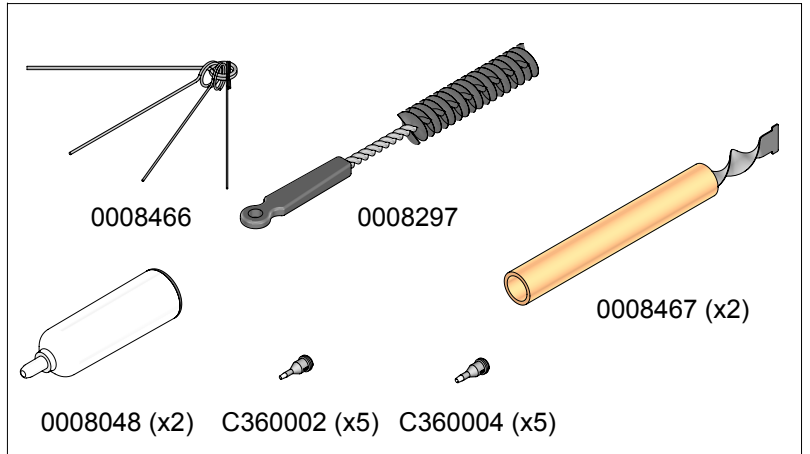
CC1001

CONTROL UNIT



SPARE PARTS	
CONTROL UNIT:	
-CIRCUIT	0028067
-ENCLOSURE	0023639
-TOOL HOLDER	0014720
-SPLASHGUARD	0028379
-ANTISPLASH RUBBER	CL7882
MS-A:	
-CIRCUIT	0017886
-ENCLOSURES:	
· TOP	0008197
· BOTTOM	0008198
· FRONT	0008835
· BACK	0008199
-PUMP	0005652

Ref.: **CS-9F** 100V FUSE T-2A
 Ref.: **CS-1F** 120V FUSE T-2A
 Ref.: **CS-2F** 230V FUSE T-1A



0008466

0008297

0008467 (x2)

0008048 (x2)

C360002 (x5)

C360004 (x5)

0010259

0026107

0010433

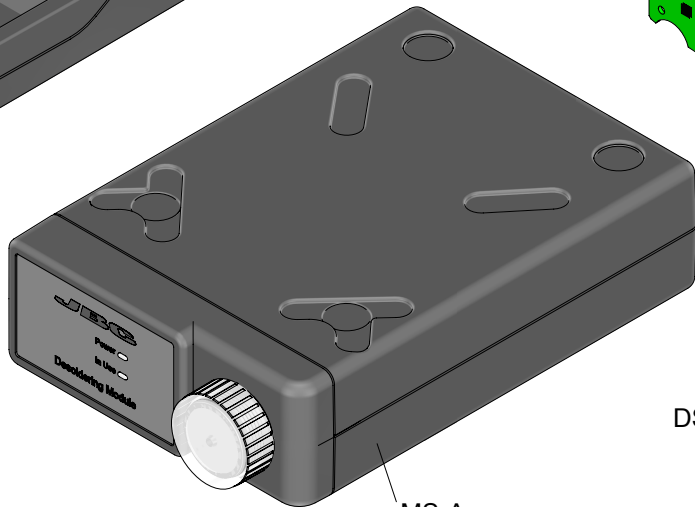
0026830

CL7984

S0354



CL6210



MS-A

DS360-A

0005966

0821830

0781046