

DDP

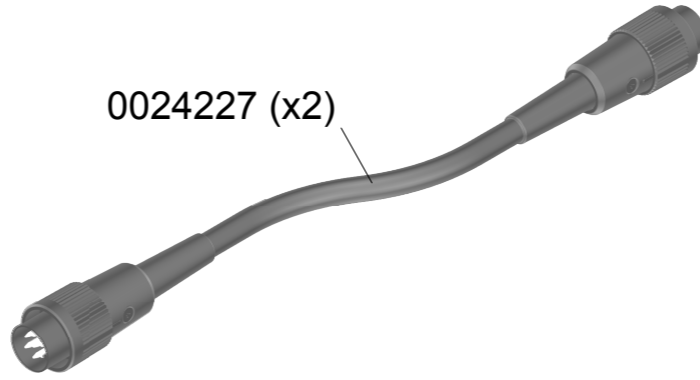
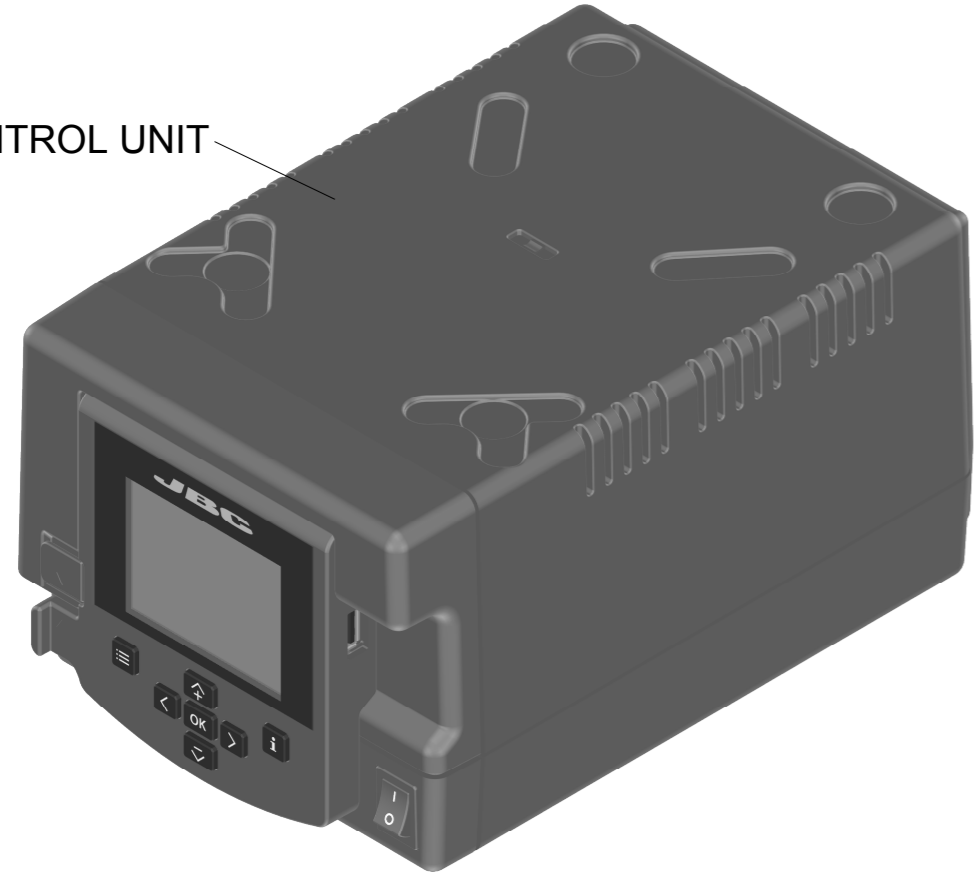
2-Tool DDU Precision Rework Station

Ref.: **DDPE-9QC** 100V
DDPE-1QC 120V
DDPE-2QC 230V

SPARE PARTS	
DDU CONTROL UNIT:	
-REAR CIRCUIT	0028012
-ENCLOSURE	
· TOP	0019028
· BOTTOM	0026182
· FRONT+DISPLAY	0022317
· BACK	0026324

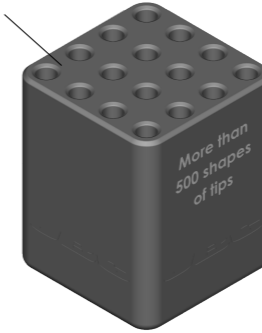
Ref.: **DDPE-9QC** 100V FUSE T-5A
DDPE-1QC 120V FUSE T-4A
DDPE-2QC 230V FUSE T-2A

DDU CONTROL UNIT

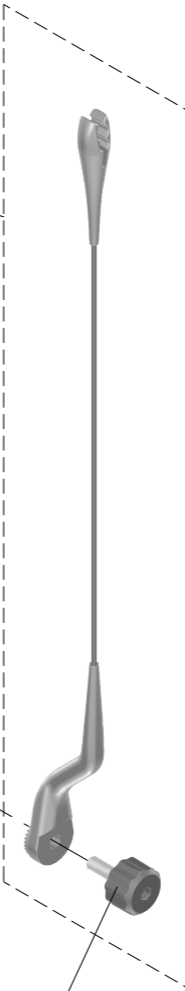


0024227 (x2)

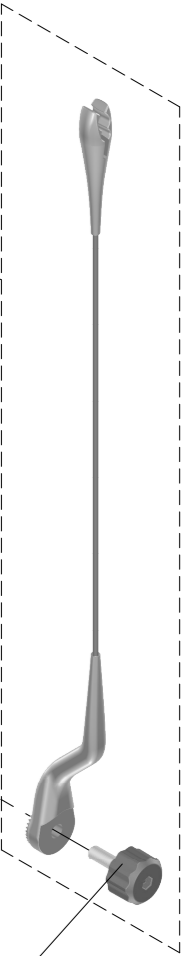
SCH-A



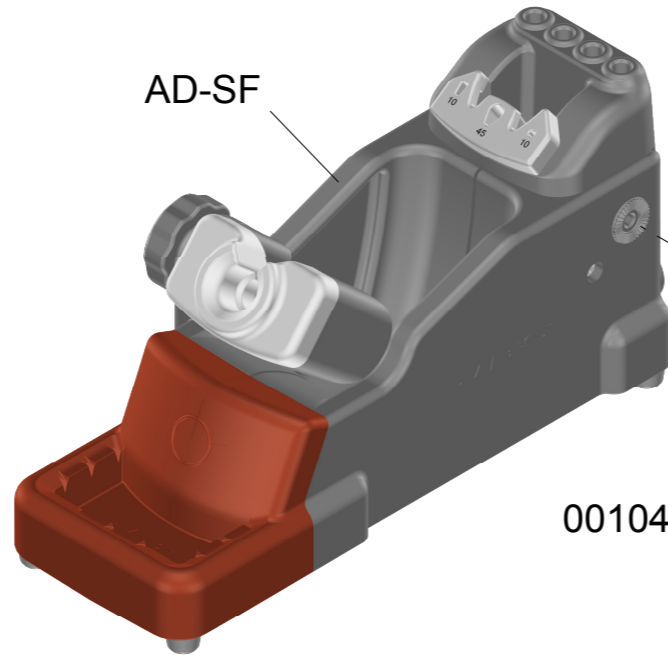
CC1001



CC1001

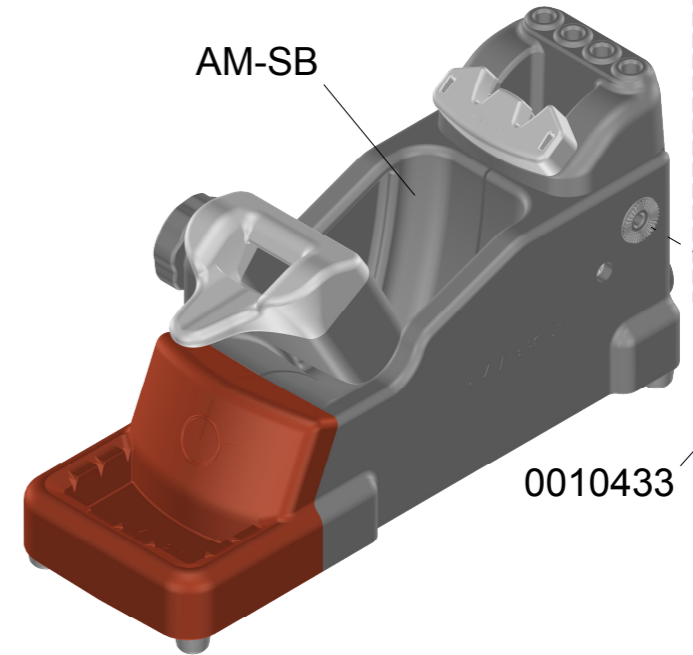


AD-SF



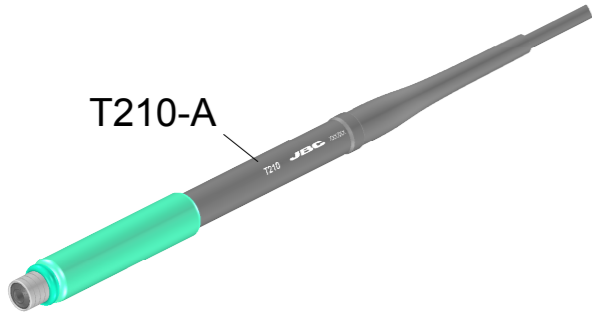
0010433

AM-SB



0010433

T210-A



AM120-A



CL6210 (x2)



S7034 (x2)