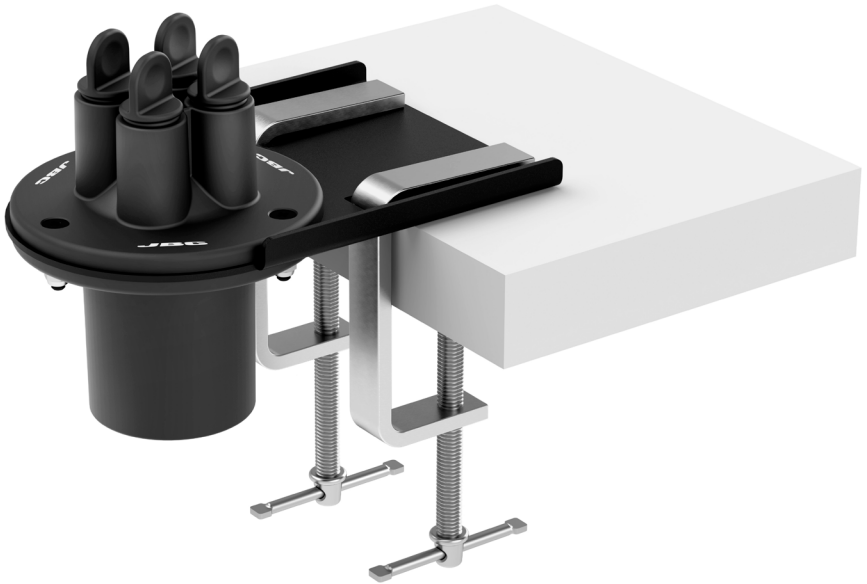


JBC

www.jbctools.com

INSTRUCTION MANUAL



FAE040

Collector Flange with Clamps
for Stand Aspiration Ducts

This manual corresponds to the following reference:

FAE040

Packing List

The following items should be included:



Collector Flange with Clamps for Stand Aspiration Ducts 1 unit
Ref. FAE040



Screws* 2 units
Ref. 0018681



Clamps 2 units
Ref. 0018940



Washers* 2 units
Ref. 0018877



Manual 1 unit
Ref. 0019183

Assembly Example

FAE020
Flexible Arm ø50 mm

or use alternatively

FAE070
Flexible Arm ø50 mm with Clamp

FAE010
Flexible Hose ø 50 mm
Total length: ~1.6 m / ~63 in

Connect up to four
stand aspiration ducts

Clamps

Alternatively use the
included screws and
washer instead of the
clamps.

FAE040
Collector Flange with
Clamps for Stand
Aspiration Ducts

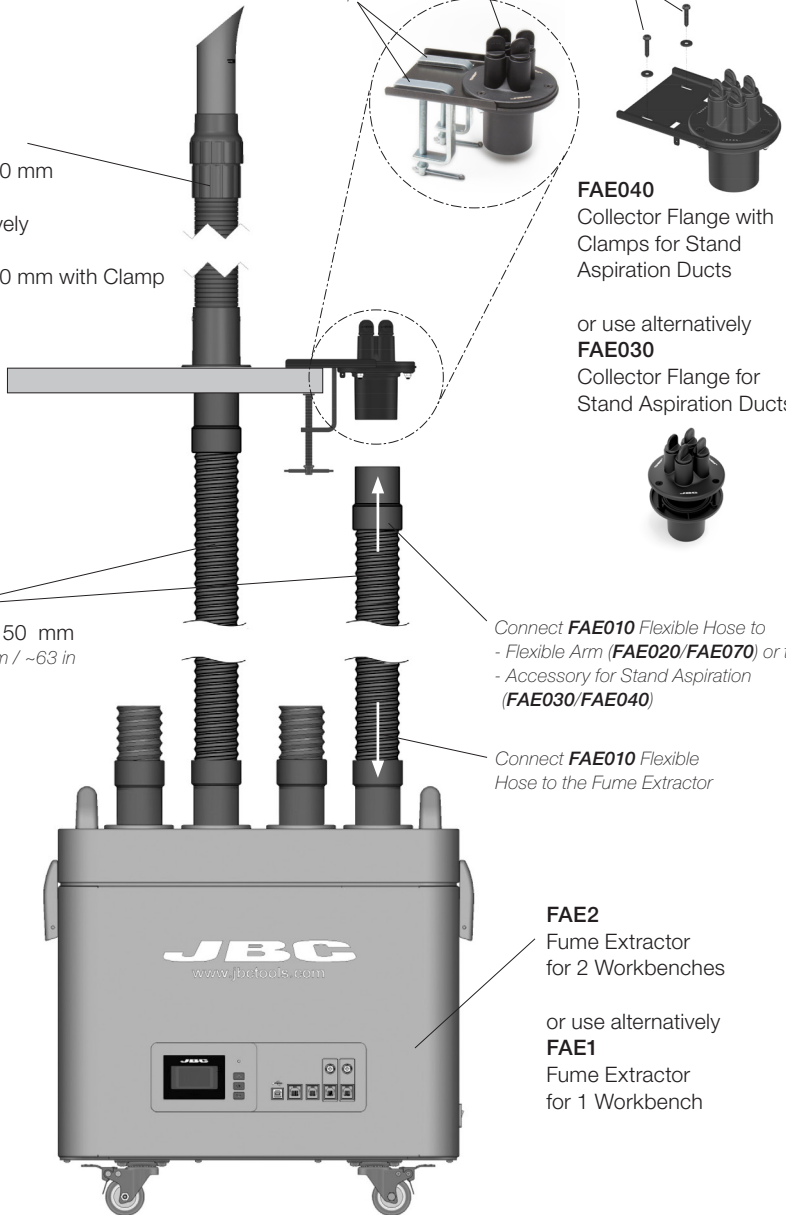
or use alternatively
FAE030
Collector Flange for
Stand Aspiration Ducts

Connect **FAE010** Flexible Hose to
- Flexible Arm (**FAE020/FAE070**) or to
- Accessory for Stand Aspiration
(**FAE030/FAE040**)

Connect **FAE010** Flexible
Hose to the Fume Extractor

FAE2
Fume Extractor
for 2 Workbenches

or use alternatively
FAE1
Fume Extractor
for 1 Workbench



Specifications

FAE040

Collector Flange with Clamps for Stand Aspiration Ducts

Ref. FAE040

- Outer Flange Diameter: 90 mm / 3.54 in
- Total Net Weight: 592 g / 1.31 lb
- Package Dimensions / Weight: 230 x 135 x 130 mm / 774 g
(L x W x H) 9.06 x 5.31 x 5.12 in / 1.71 lb

Complies with CE standards.
ESD safe.

JBC

Warranty

JBC's 2 year warranty covers this equipment against all manufacturing defects, including the replacement of defective parts and labour.

Warranty does not cover product wear or misuse.

In order for the warranty to be valid, equipment must be returned, postage paid, to the dealer where it was purchased.



This product should not be thrown in the garbage.

In accordance with the European directive 2012/19/EU, electronic equipment at the end of its life must be collected and returned to an authorized recycling facility.



www.jbctools.com