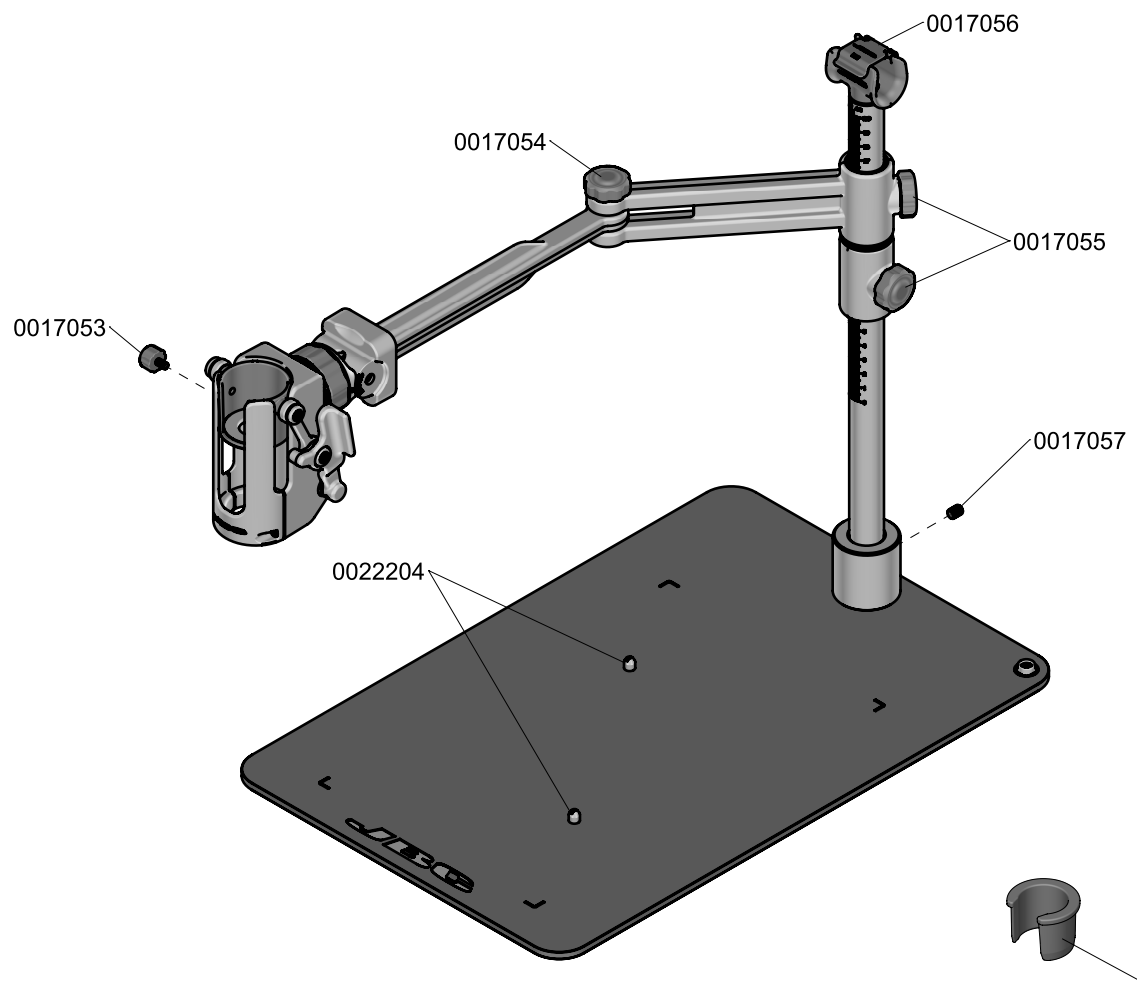


RWS-D REWORK ADJUSTABLE ARM



SPARE PARTS	
RWS:	
-TOOL HEIGH ADJ. KNOB:	0017053
-ROTATION ADJ. KNOB:	0017054
-HEIGHT ADJ. KNOB:	0017055
-HOSE CLAMP:	0017056
-SCREW:	0017057
-JT TOOL ADAPTER:	0017058
-TE TOOL ADAPTER:	0017059

