

JBC

www.jbctools.com

INSTRUCTION MANUAL



RWS

Adjustable Rework Arm for PHSE

This manual corresponds to the following reference:

RWS-D

Packing List

The following items are included:



Adjustable Rework Arm 1 unit



Base 1 unit
Ref. 0015665



Height Adjustment Flange 1 unit
Ref. 0023991*



Adapter for TET 1 unit
Ref. 0017059



Adapter for JTT 1 unit
Ref. 0017058



Hose Clamp 1 unit
Ref. 0017056*



Headless Screw 1 unit
Ref. 0017057*



Allen Key 3 mm 1 unit
Ref. 0013609

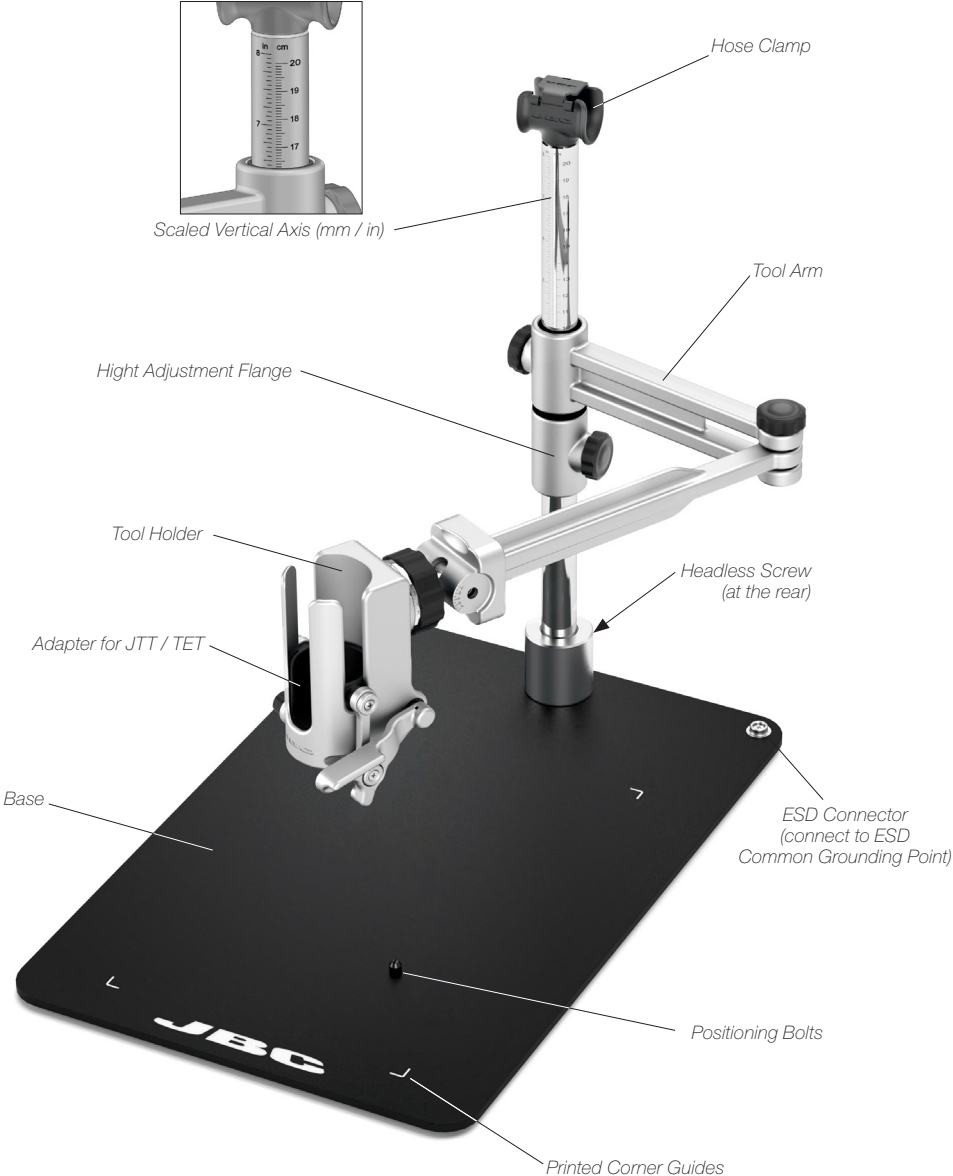


Manual* 1 unit
Ref. 0028404

* already assembled

*manuals in other languages
available at www.jbctools.com

Features

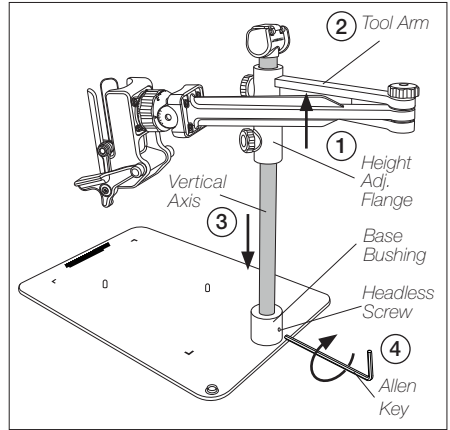


Tool Arm Assembly

Setting up the Tool Arm

Fit the tool arm (1) and the height adjustment flange (2) onto the vertical axis. Then the vertical axis into the base bushing (3).

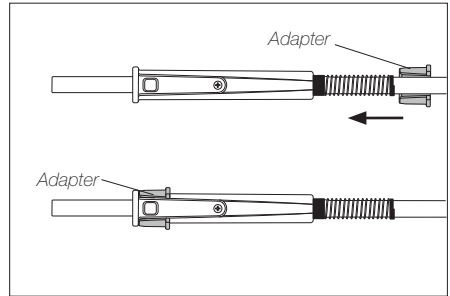
Tighten the headless screw by using the allen key (4).



Heater Hose Assembly

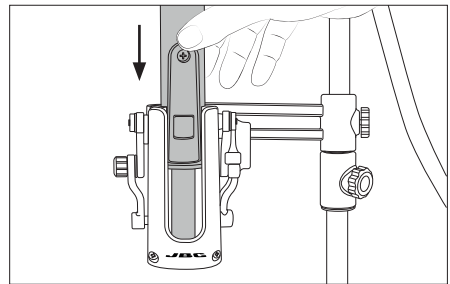
Inserting the Adapter (JT/TE)

Slide the adapter along the hose to the end of the handle.



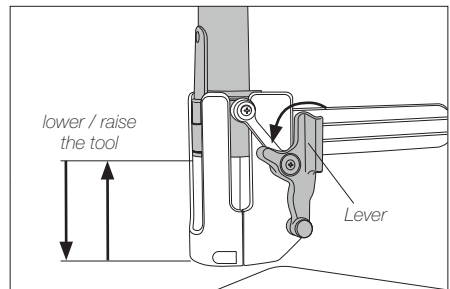
Fit Heater into Tool Holder

Insert the tool as far as possible into the tool holder with its adapter previously assembled.



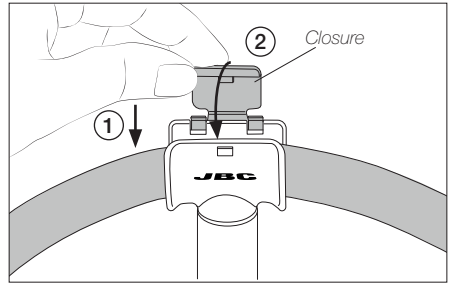
Lower the Tool

Turn the lever to lower the tool. After having finished the working process raise the tool to free up the workspace.



Fit Heater Hose to Hose Clamp

Fit the heater hose into the hose clamp (1) and move the closure down (2).

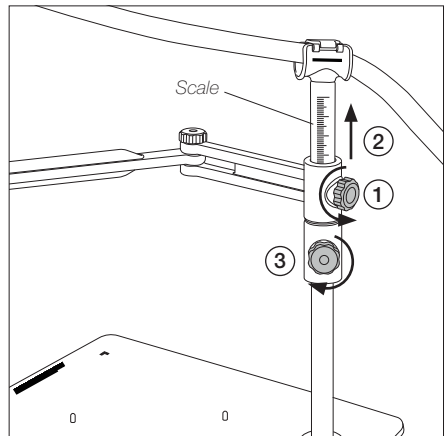


Tool Arm Height Adjustment

Make sure the tool arm knob is loosened (1) before adjusting the tool holder height.

Slide the tool arm to the appropriate height (2) and secure its position by tightening the height adjustment flange knob (3).

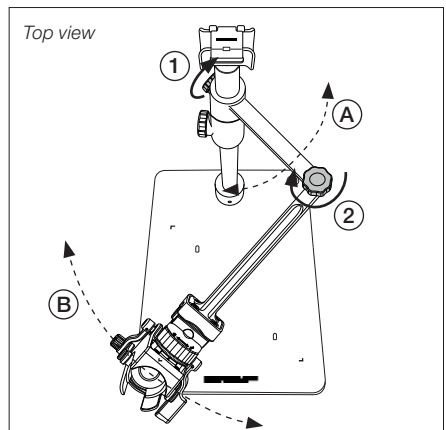
The scale on the vertical axis allows to adjust the desired height easily.



Work Position Adjustment

According to the work needs the tool arm allows adjustments for different positions. The articulated arm covers the entire working area.

Position the arm as needed and open or tighten the knobs (1) and (2) to allow or block movement (A) and (B).

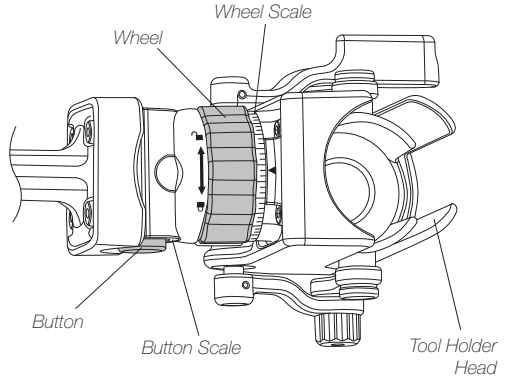


Tool Holder Adjustment

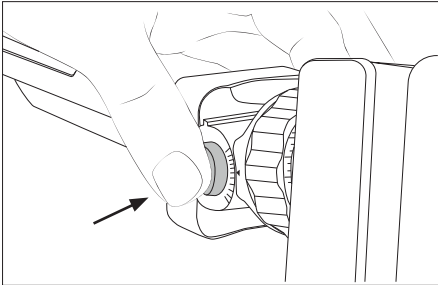
The tool holder head position enables an individual tool position adjustment.

By pressing the button and/or loosen the wheel the tool holder head position can be adjusted.

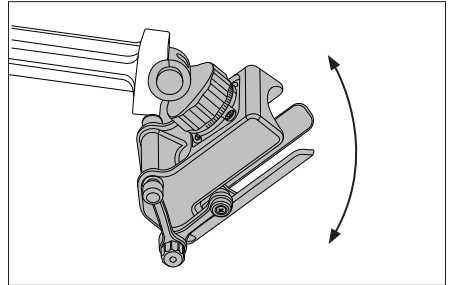
Both axes have a scale to carry out the task with higher precision .



Tilting movement

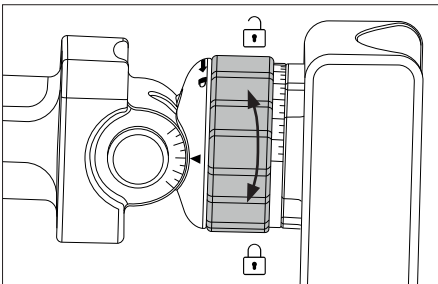


By pressing the button you can rotate the Tool Holder up or down.

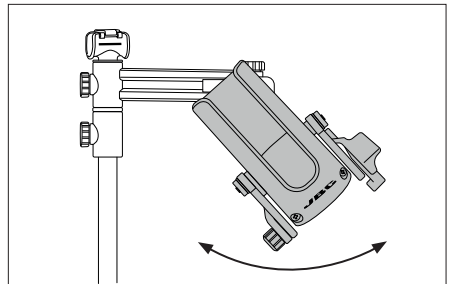


The movement allows a rotation between -40° and $+40^\circ$.

Rotating movement



You can lock or unlock the lateral rotation mechanism by turning the fixing wheel a quarter.

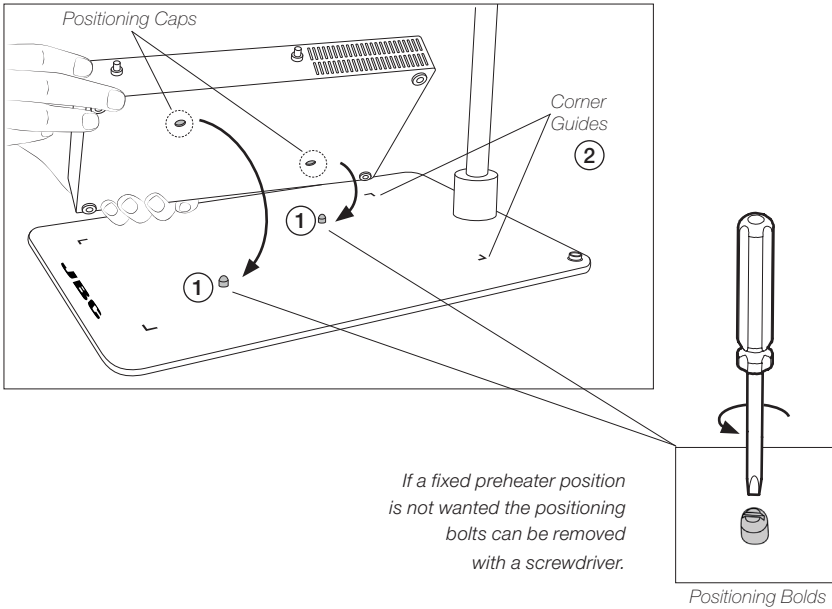


The movement allows a rotation between -90° and $+90^\circ$.

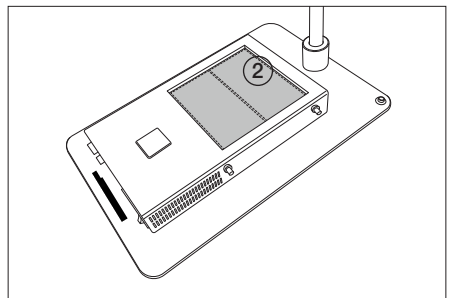
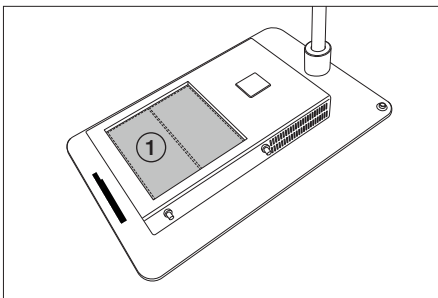
Preheater Positioning

The position of PHSE can be fixed on RWS by means of positioning bolts.

Fit the positioning caps onto the positioning bolts (1). The four corner guides (2) helps to the place the heater units in its position.



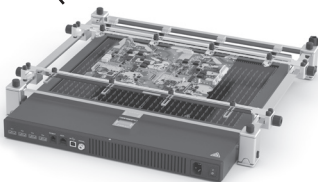
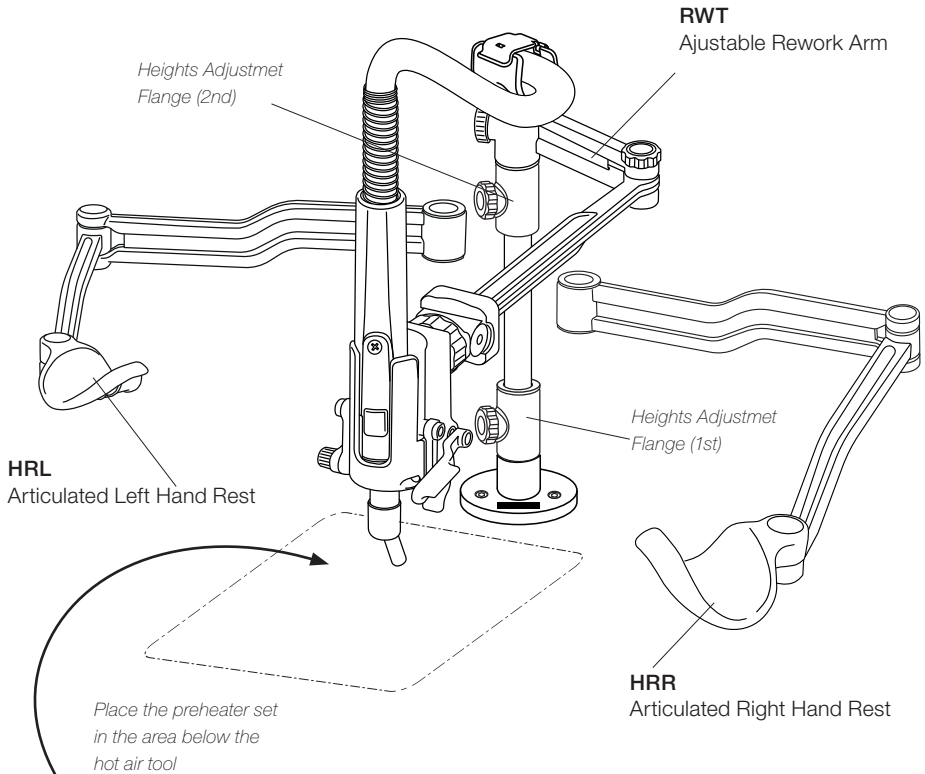
The preheater can be placed in two different positions. Heating area at the front (1) or at the rear (2).



Compatible JBC Articles*

HRR and HRL can be combined with:
RWT Adjustable Rework Arm,
RWS Adjustable Rework Arm for PHSE and
RWB Adjustable Rework Arm for PHBE.

Assemble first the height adjustment flange (1), then the HRR (2) and afterward the HRL (3). Assemble the second height adjustment flange (4) and finally the RWT (5).



4 different sizes for PCB Supports are available:

- **PHNS** Support for PCBs up to 11x7 cm / 4x3"
- **PHSS** Support for PCBs up to 13x13 cm / 5x5"
- **PHBS** Support for PCBs up to 36x28 cm / 14x11"
- **PHXLS** Support for PCBs up to 51x61 cm / 20x24"

* Not included, sold separately.

Accessories

PHSEK Preheater Set for PCBs up to 13x13cm / 5x5"

JBC offers PHSEK for rework on small / medium PCBs. It features a heating area of 130 x 135 mm / 5.12 x 5.31 in and four thermo couple connections.

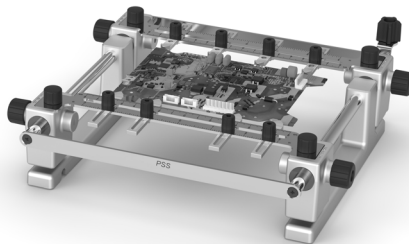
Includes Preheater with its console and PCB support.



PHSS Support for PCBs up to 13x13cm / 5x5"

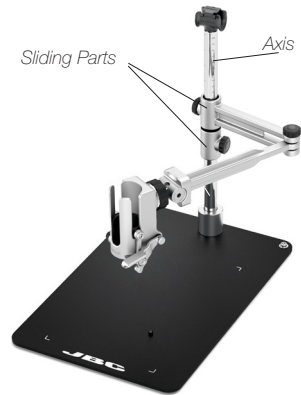
Also available JBCs PHSS Support - it comes without preheater.

PHSS Support adapts to different PCBs geometries by means of its adjustable components and its 3 adjustable height positions 28, 50 or 70 mm / 1.1, 2 or 2.8 in.



Maintenance

- Check periodically that the RWS is clean, especially the sliding parts and the axis.
- Use a damp cloth when cleaning. Alcohol can only be used to clean the metal parts.
- Replace any defective or damaged parts. Use original JBC spare parts only.
- Repairs should only be performed by a JBC authorized technical service.



Safety



It is imperative to follow safety guidelines to prevent electric shock, injury, fire or explosions.

- Do not use the equipment for any purpose other than PCB rework. Incorrect use may cause fire.
- The temperature of accessible surfaces may remain high after the unit is turned off. Handle with care.
- Be careful with the fumes produced when soldering.
- Keep your workplace clean and tidy. Wear appropriate protection glasses and gloves when working to avoid personal harm.
- Utmost care must be taken with liquid tin waste which can cause burns.
- This appliance can be used by children over the age of eight as well as persons with reduced physical, sensory or mental capabilities or lacking experience provided that they have been given adequate supervision or instruction concerning use of the appliance and understand the hazards involved. Children must not play with the appliance.
- Maintenance must not be carried out by children unless supervised.

Specifications

RWS

Adjustable Rework Arm for PHSE

Ref. **RWS-D**

- Base Dimensions (L x W): 270 x 410 mm / 10.63 x 16.14 in
- Height: 386.5 mm / 15.22 in
- Arm Length: 444.5 mm / 17.50 in
- ESD Safe Connector

- Total Net Weight: 6.94 kg / 15.30 lb
- Package Dimension / Weight: 474 x 368 x 195 mm / 8.86 kg
(L x W x H) 18.66 x 14.49 x 7.68 in / 19.53 lb

Complies with CE standards
ESD Safe

JBC

Warranty

JBC's 2 year warranty covers this equipment against all manufacturing defects, including the replacement of defective parts and labour.

Warranty does not cover product wear or misuse.

In order for the warranty to be valid, equipment must be returned, postage paid, to the dealer where it was purchased.



This product should not be thrown in the garbage.

In accordance with the European directive 2012/19/EU, electronic equipment at the end of its life must be collected and returned to an authorized recycling facility.



www.jbctools.com