

JBC

www.jbctools.com

INSTRUCTION MANUAL



HRR

Articulated Right Hand Rest

This manual corresponds to the following reference:

HRR-A

Packing List

The following items are included:



Articulated Right Hand Rest Arm 1 unit



Height Adj. Flange 1 unit
Ref. 0023991



Manual 1 unit
Ref. 0028803

Features

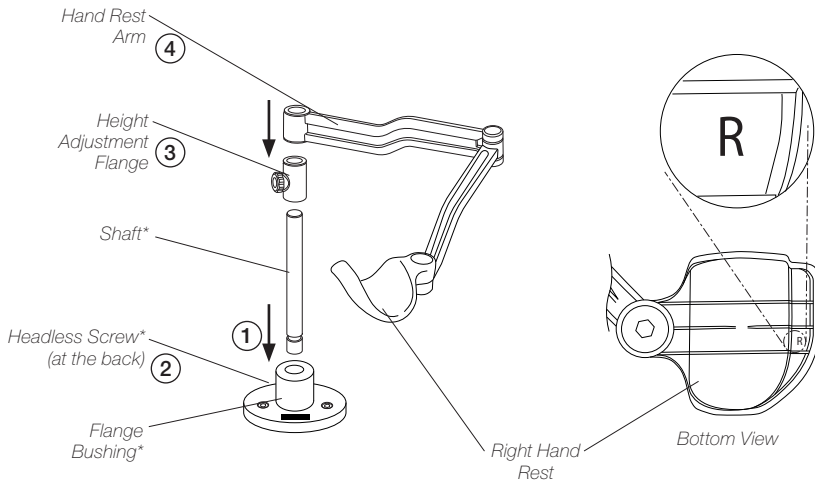


Assembly

Setting up the Articulated Hand Rest

Fit the shaft into the flange bushing (1) and tighten the headless screw at the rear (2). Then assemble first the height adjustment flange (3) and finally the hand rest arm (4) onto the shaft.

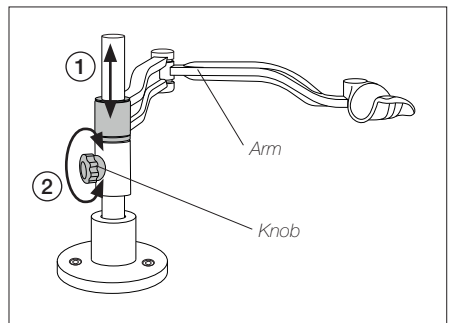
The articulated hand rest position should be like shown in the image. The right hand rest is marked at its bottom side with the letter "R".



Height Adjustment

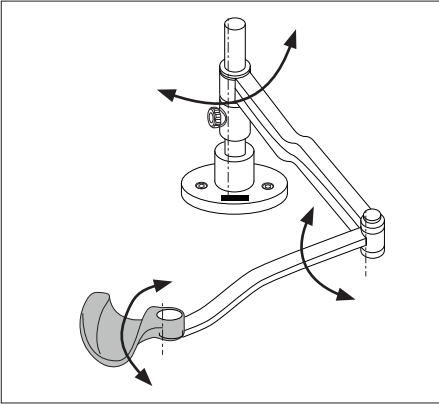
According to your work needs, the articulated hand rest allows adjustment for different heights through the vertical axis.

Slide the arm to the appropriate height (1) and secure it by tightening the knob (2) to guarantee stability.

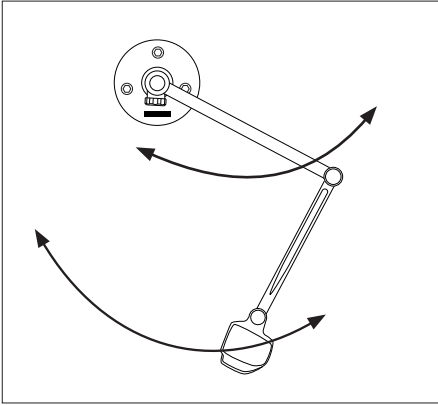


* Not included, sold separately.

Work Position Adjustment

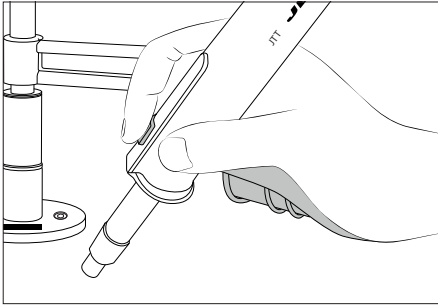
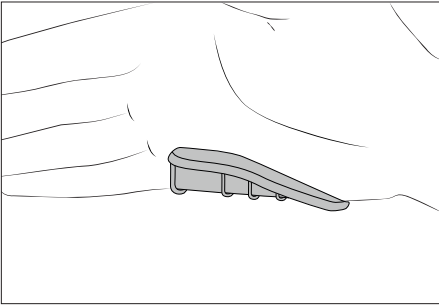


HRR Articulated Right Hand Rest allows adjustment for different positions according to your work needs.



The articulated arm covers the entire working area.

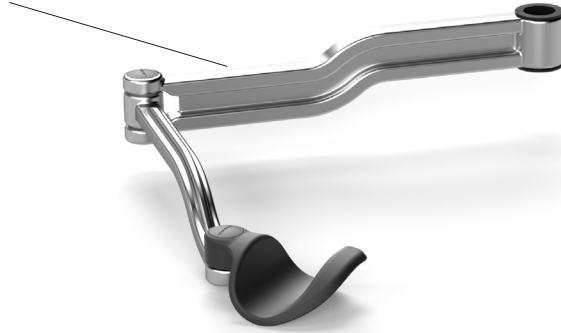
The correct hand work position is shown in the following images:



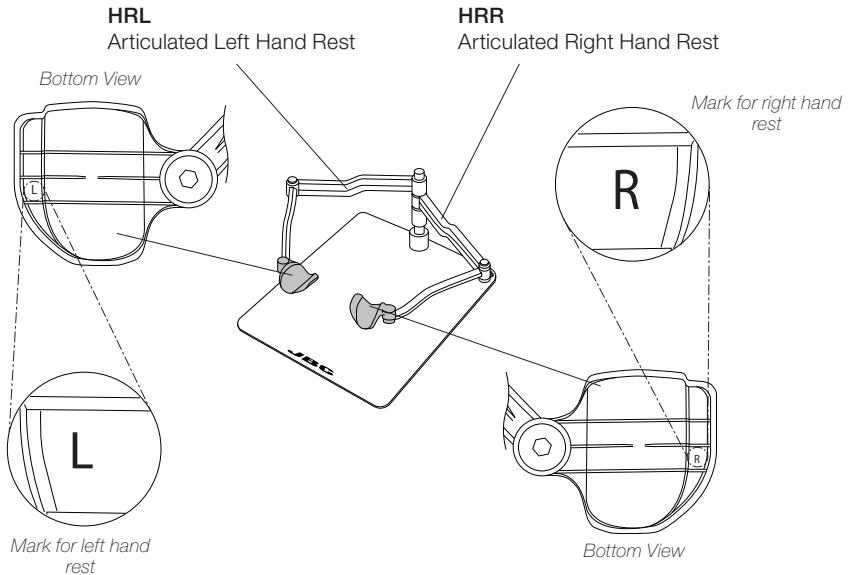
Accessories*

If a second hand rest is needed, Articulated Left Hand Rest HRL is available. HRL also allows adjustment for different positions.

HRL
Articulated Left Hand Rest



In the case of using both left and right arms, assemble both as shown in the illustration according to the letters on the back of the hand rest, to keep the hand supports at the same level. The right hand rest should be assembled below the left hand rest.



* Not included, sold separately.

Compatible JBC Articles*

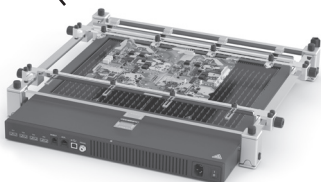
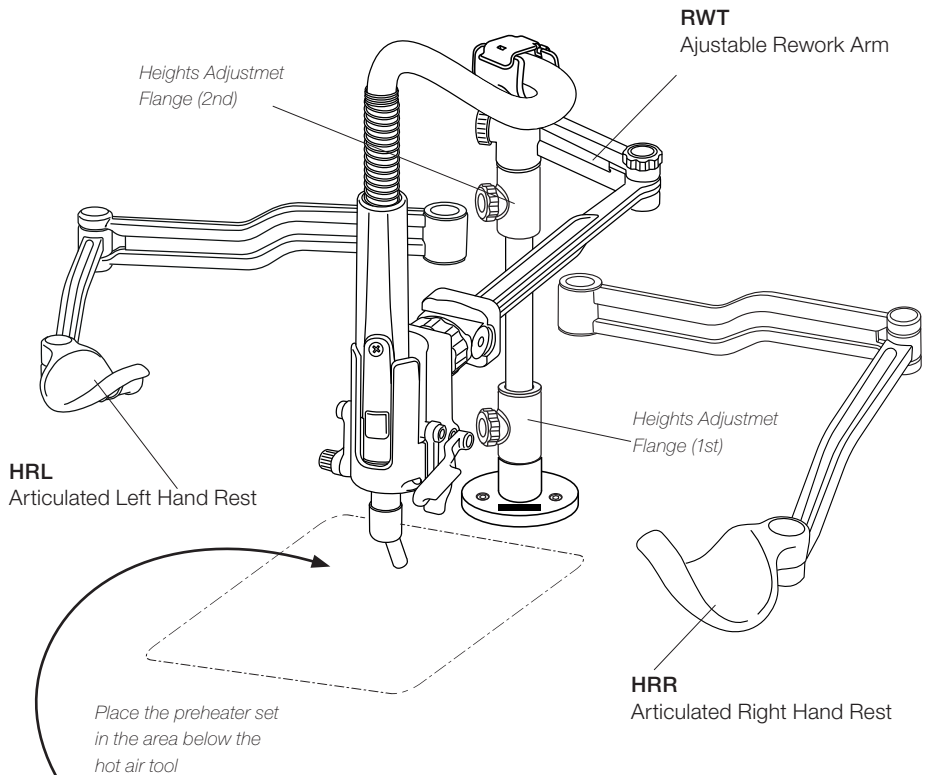
HRR and HRL can be combined with:

RWT Adjustable Rework Arm,

RWS Adjustable Rework Arm for PHSE and

RWB Adjustable Rework Arm for PHBE.

Assemble first the height adjustment flange (1), then the HRR (2) and afterward the HRL (3). Assemble the second height adjustment flange (4) and finally the RWT (5).



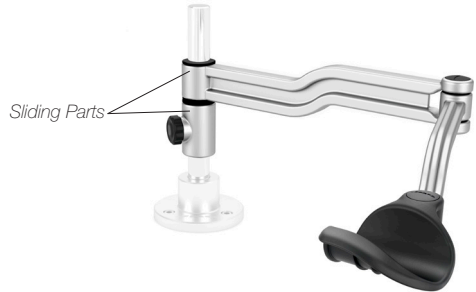
4 different sizes for PCB Supports are available:

- PHNS Support for PCBs up to 11x7 cm / 4x3"
- PHSS Support for PCBs up to 13x13 cm / 5x5"
- PHBS Support for PCBs up to 36x28 cm / 14x11"
- PHXLS Support for PCBs up to 51x61 cm / 20x24"

* Not included, sold separately.

Maintenance

- Check periodically that the HRR is clean, especially the sliding parts and the shaft.
- Use a damp cloth when cleaning. Alcohol can only be used to clean the metal parts.
- Replace any defective damaged parts. Use original JBC spare parts only.
- Repairs should only be performed by a JBC authorized technical service.



Do not leave the HRR over the preheater when it is in operation.

Safety



It is imperative to follow safety guidelines to prevent electric shock, injury, fire or explosions.

- Do not use the equipment for any purpose other than PCB rework. Incorrect use may cause a fire.
- The temperature of accessible surfaces may remain high after the unit is turned off. Handle with care.
- Be careful with the fumes produced when soldering.
- Keep your workplace clean and tidy. Wear appropriate protection glasses and gloves when working to avoid personal harm.
- Do not leave up the arms directly above heat surfaces.
- Utmost care must be taken with liquid tin waste which can cause burns.
- This appliance can be used by children over the age of eight as well as persons with reduced physical, sensory or mental capabilities or lacking experience provided that they have been given adequate supervision or instruction concerning the use of the appliance and understand the hazards involved. Children must not play with the appliance.
- Maintenance must not be carried out by children unless supervised.

Specifications

HRR

Articulated Right Hand Rest

Ref. HRR-A

- Arm Length: 444,5 mm / 17.5 in
- Total Net Weight: 1060 g / 2.34 lb

- Package Dimension / Weight: 280 x 280 x 164 mm / 2.18 g
(L x W x H) 11.02 x 11.02 x 6.46 in / 4.80 lb

Complies with CE standards
ESD Safe

JBC

Warranty

JBC's 2 year warranty covers this equipment against all manufacturing defects, including the replacement of defective parts and labour.

Warranty does not cover product wear or misuse.

In order for the warranty to be valid, equipment must be returned, postage paid, to the dealer where it was purchased.

Get 1 extra year JBC warranty by registering here:
<https://www.jbctools.com/productregistration/>
within 30 days of purchase.



This product should not be thrown in the garbage.

In accordance with the European directive 2012/19/EU, electronic equipment at the end of its life must be collected and returned to an authorized recycling facility.



www.jbctools.com