

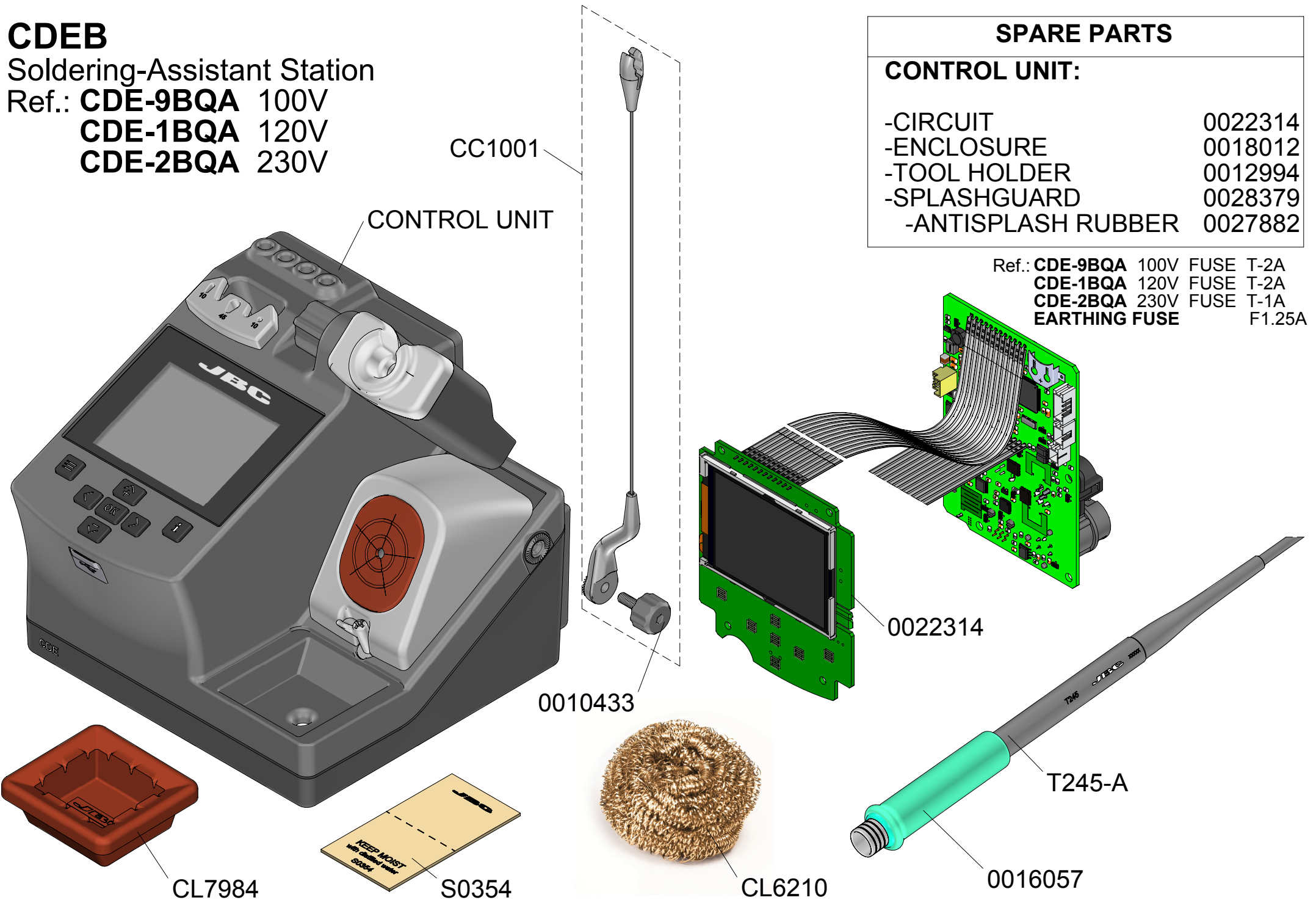
CDEB

Soldering-Assistant Station

Ref.: **CDE-9BQA** 100V

CDE-1BQA 120V

CDE-2BQA 230V



SPARE PARTS

CONTROL UNIT:

| | |
|--------------------|---------|
| -CIRCUIT | 0022314 |
| -ENCLOSURE | 0018012 |
| -TOOL HOLDER | 0012994 |
| -SPLASHGUARD | 0028379 |
| -ANTISPLASH RUBBER | 0027882 |

| | | | |
|-----------------------|------|------|--------|
| Ref.: CDE-9BQA | 100V | FUSE | T-2A |
| CDE-1BQA | 120V | FUSE | T-2A |
| CDE-2BQA | 230V | FUSE | T-1A |
| EARTHING FUSE | | | F1.25A |

CC1001

CONTROL UNIT

0022314

0010433

T245-A

0016057

CL7984

S0354

CL6210