

JTSE-Q

Hot Air Station Without Extractor Desk

Ref.: **JTSE-9QB** 100V

JTSE-1QB 120V

JTSE-2QB 230V

SPARE PARTS	
JTSE CONTROL UNIT:	
-ENCLOSURES:	
·TOP	0019028
·BOTTOM	0013486
·FRONT	0026199
·BACK	0021065
FOR REF. JTSE-9UA/JTSE-1UA:	
-CIRCUIT	0024361
-SUCTION PUMP	0026338
-HOT AIR PUMP	0018769
FOR REF. JTSE-2UA:	
-CIRCUIT	0024360
-SUCTION PUMP	0026337
-HOT AIR PUMP	0018769

Ref.: **JTSE-9UA** 100V FUSE T-8A
JTSE-1UA 120V FUSE T-8A
JTSE-2UA 230V FUSE T-4A



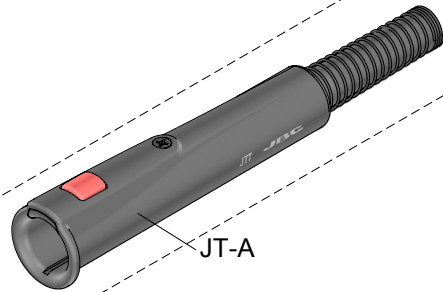
PH217



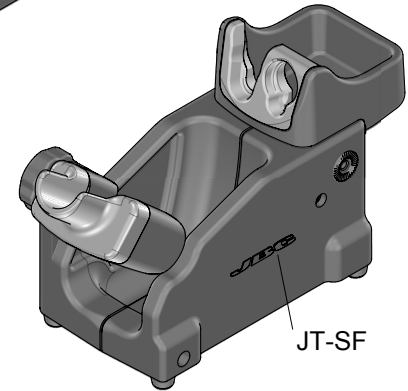
PH218



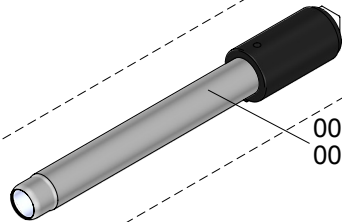
Control Unit



JT-A

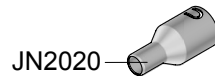


JT-SF



JT-T2A (230V)
 JT-T1A (100V, 120V)

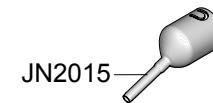
0014107 (230V)
 0014105 (100V, 120V)



JN2020



JN2012



JN2015