



www.jbctools.com

Robot Communication Protocol for Premium and Automation Soldering Stations

Programmer's Guide

Communication Protocol

This communication protocol was developed to use Excellence and Control Box (UCR) JBC Soldering stations. It allows communication between soldering stations and a robot (PC or PLC).

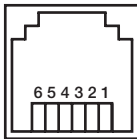
The protocol is divided into the following 3 layers:

- **PHL:** Physical Layer
- **DLL:** Data Link Layer
- **APL:** Application Layer (depends on station model)

Physical Layer (PHL) for Excellence stations

- Excellence stations can be connected to a PLC by a RJ12 direct cable (Ref. 0019751) and DB9-RJ12 Adapter (Ref. 0015383).
- Serial communication type is RS-232, configured as 19200 bps, eight (8) data bits, no (N) parity bit and one (1) stop bit (19200-8N1).

Robot Station Connector



Female RJ12
Connector

Pin distribution	
Pin	Description
1	Not used
2	Common reference: RS232 GND
3	Serial input: RS232 RX
4	Serial output: RS232 TX
5	Common reference: RS232 GND
6	Not used

Physical Layer (PHL) for Control Box

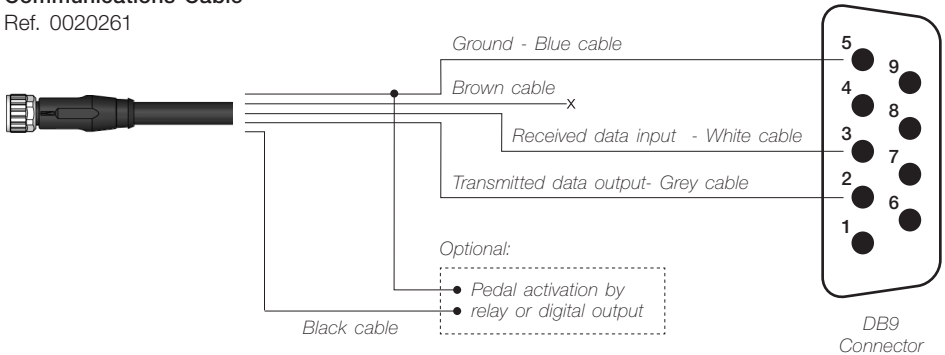
- The Control Box can be connected to a PLC by a five-pin Communications Cable (Ref. 0020261).
- Serial communication type is RS-232, configured as 19200 bps, eight (8) data bits, no (N) parity bit and one (1) stop bit (19200-8N1).
- The communication connector provides "switch" input.
- For a proper connection, it is necessary to connect only three cables to the corresponding 3 pins at a typical DB9 male connector (PLC or computer).



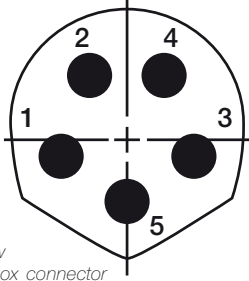
Communications Connector

Communications Cable

Ref. 0020261



Communication Connector



Front view
Control Box connector

Pin distribution		
Pin	Color	Description
1	Brown	Not used
2	White	Serial input: RS232 RX
3	Blue	Common reference: GND for RS232 and pedal
4	Black	Switch input: 0V or 24V to start feeding. Leave it open to stop
5	Grey	Serial output: RS232 TX

Switch input activates the Control Box, using a relay or transistor digital output. Digital output from the PLC to the switch input can be PNP or NPN style, as well as a relay contact.

Data Link Layer (DLL)

The frame format is shown in the tables below. By factory settings, communications are made with addresses. They can be disabled using W-SAD command. Depending on the command used, the Data Field* is not necessary.

With no address

Start	Control Header*	Control Command	Data*	Stop	Check
1 byte	1 byte	3 bytes	0 or 5 bytes	1 byte	1 byte
STX	`R`, `W`, `A`, `N`	"code"	"-9999" to "99999"	ETX	BCC

With address (factory default)

Start	Source Address	Target Address	Control Header*	Control Command	Data*	Stop	Check
1 byte	2 bytes	2 bytes	1 byte	3 bytes	0 or 5 bytes	1 byte	1 byte
STX	"00" to "99"	"00" to "99"	`R`, `W`, `A`, `N`	"code"	"-9999" to "99999"	ETX	BCC

*Info

Control Header Field*		Data Field
R (Read)		Is not used
W (Write)		Used
A (Acknowledgement)	Response to Reading Commands	Used
	Response to Writing Commands	Is not used
N (Negative Acknowledgement)		Used

Frame Fields

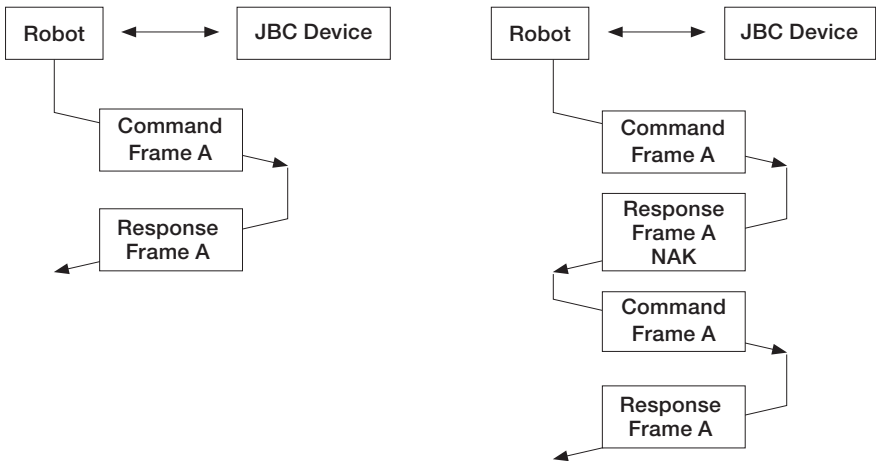
Start	Start of transmission. Corresponds to the character STX of ASCII code (0x02).
Source Address	The Source Address range is from "00" to "99". The factory setting for Robot Address is "00".
Target Address	The Target Address range is from "00" to "99". Factory settings for JBC devices are as follows: <ul style="list-style-type: none"> · Soldering Stations Address is "01" · Solder Feeder Address is "10" · Fume Extractor Address is "20"
Control Header	Four Codes are used (see table from page 5).
Control Command	Select the command which should be used (see table from page 10).
Data	Shown in five digits. First tens of thousand is sent and thereafter successively until the last unit. Example: in order to send "12345" it is first sent "1", and finally "5". If it is a negative number, the minus sign is at the tens of thousands digit, shown as an ASCII character "-". Example: In order to send "-50", the data will be sent is "-0050". If the number has less than five digits, then zeros will be placed before. Example: in order to send "375" the data will be sent is "00375".
Stop	End of transmission. Corresponds to the ASCII code character ETX (0x03).
Check	This is an error Check Field. The value is obtained by calculating the logic function XOR for the whole frame, excluding the BCC.

Frame Reception

The Robot sends a Command Frame to the JBC device. This information is sent to the Application Layer (APL). The Command Frame obtained from the robot is correct if it has the correct length and **“starts with STX + finishes with ETX + correct BCC”**.

The JBC device will send a Response Frame. In the case of a Response Frame with errors, the Robot determines the number of consecutive Command Frames that will send to the JBC device. If the Robot receives a Response Frame with errors, it cannot be resend by the JBC device.

The JBC device does not expect ACK/NAK from the Robot.



Application Layer (APL)

The robot starts the communication with a Command Frame and the JBC device sends a Response Frame. For a detailed functional description, see the table with the command overview starting on page 10.

- Temperature is always shown in °C.
- The power is given in thousands of the theoretical maximum JBC Device power [%] without decimals.

Tools

Number	Description
0	Without tool
1	T210
2	T245/T470
2	TR245/TR470
3	PA120/AM120
4	HT420/AT420
5	DS360
6	DR560
7	NT115
8	NP115/AN115
9	TRA245/TRA470

Ports

Number	Description
1	Port 1
2	Port 2
3	Port 3
4	Port 4

Station errors

Number	Description
00000	OK
00001	Stop due by overload (TRAFO)
00002	Temperature sensor error
00003	Memory
00004	Mains frequency
00005	JBC device model
00006	Not connected MCU tools
00007	Warning overload (TRAFO)

Port Errors

Number	Description
00000	OK
00001	Short-circuit
00002	Short-circuit non-recoverable, JBC Device should be restarted
00003	Open circuit
00004	No tool
00005	No tool accepted
00006	Tool detection
00007	Stop due by maximum powers (not implemented)
00008	Stop due by overload (MOS)
00009	Warning overload (MOS)

Communication Errors

Number	Description
00001	BCC error (frame error when doing the sum check)
00002	Format error (format is not correct, i.e. incorrect size)
00003	Out of range (modified value out of limit)
00004	Control error (control code not accepted)
00005	Robot Control Mode Error (in JBC Device Menu is "off" for "Robot Mode" selected)
00006	Station model error (station unknown)
99999	Undefined (error not defined)

Tool Operating Status (standard processes)

Number	Description
00000	Working
00001	Stand, it still has not gone into sleep mode (delay)
00002	Sleep*
00003	Hibernation*

Tool Operating Status (automated processes)

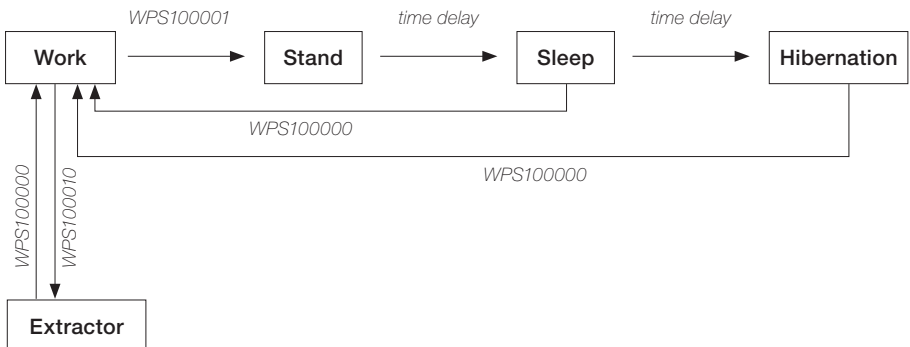
Number	Description
00000	Working
00010	Cooling

Suction status

Number	Description
00000	Desoldering OFF
00100	Desoldering ON

*Not selectable with W-PSx commands.

See the following diagram, for soldering stations work flow:



Commands

Code	Description	Details
<p>W-PSx</p>	<p>Write - Port Status + port</p>	<p>Sets the Tool Operating Status.</p> <p>Replace the 'x' with the number of the destination port in ASCII, for example "W-PS1".</p> <p>The Data Field contains the selected Operating Status for the tool.</p> <p>Send "00000" for Working, "00010" for Extractor (stand by) or "00001" for Stand.</p> <p>The Tool Operating Status is managed by the robot. Except sleep and hipermantion mode, whose status are reached after time delay. See page 9 for more information.</p> <p>The JBC device answers with an "A-PSx" (example "A-PS1").</p>
<p>R-PSx</p>	<p>Read - Port Status + port</p>	<p>To get the Tool Operating Status.</p> <p>See page 9 for identifier information.</p> <p>The 'x' must be replaced with the number of the destination port in ACCII, for example "R-PS1".</p> <p>The Data Field contains the tool operating status.</p> <p>The JBC device respons with an "A-PSx".</p>
<p>W-STx</p>	<p>Write - Select Temp. + port</p>	<p>Sets the Tip Working Temperature.</p> <p>Replace the 'x' with the number of the destination port in ASCII, for example "W-ST1".</p> <p>The Data Field contains the selected temperature, expressed in °C. The temperature modification must be done in steps of 5 degrees.</p> <p>The JBC device responds with an "A-STx", for expamle "A-ST1".</p> <p>Warning: selected temperature is a volatile setting, therefore use the W-NVS frame in order to save it into the station memory.</p>

Code	Description	Details
R-STx	Read - Select Temp. + port	<p>To get the set Working Temperature.</p> <p>Replace the 'x' with the number of the destination port in ASCII, for example "R-ST1".</p> <p>The JBC device responds with an "A-STx".</p> <p>The Data Field contains the current Working Temperature, expressed in °C , for exampale "A-ST1-00350".</p>
R-TTx	Read - Tip Temp. + port	<p>To get the current Tip Temperature.</p> <p>The 'x' must be replaced with the number of the destination port in ACCII (example "R-TT1").</p> <p>The JBC device respons with an "A-TTx" and the Data Field contains the current tip temperature expressed in °C, exampale "A-TT1-00183".</p>
R-PPx	Read - Port Power + port	<p>To get the current power delivered to the tip.</p> <p>The 'x' must be replaced with the number of the destination port in ACCII (example "R-PP1").</p> <p>The Data Field contains the delivered power expressed in %, for example "A-PP1-00840" for 84%.</p> <p>The JBC device response with A-PPx.</p>

Code	Description	Details
W-Axy	Write - Adjust Temperature + port + tool	<p>Sets a temperature offset. Used when a tool temperature fine-adjustment is needed.</p> <p>The 'x' must be replaced with the number of the destination port and the "y" with the tool number in ACCII, for example "W-A12", for port 1 and tool TR245. See page 8 for identifier information.</p> <p>The Data field contains the Adjustment Temperature for the tool, expressed in °C. The maximum adjustment temp is +/- 50°C, for example "W-A12-00012. The temperature offset must be done in steps of 1 degree.</p> <p>Note: In order to send -50 °C, the data will be sent is "-0050".</p> <p>The JBC device answers with an "A-Axy".</p>
R-Axy	Read - Adjust Temperature + port + tool	<p>To get the Tool Adjustment Temperature.</p> <p>The 'x' must be replaced with the number of the destination port and the "y" with the tool number in ACCII, for example "R-A12" for port 1 and tool TR245. See page 8 for identifier information.</p> <p>The JBC device answers with an "A-Axy".</p> <p>The Data Field contains the Tool Adjustment Temperature, expressed in °C.</p>
W-MAT	Write - Maximum temperature	<p>Set the Maximum Temperature selectable with W-STx.</p> <p>The Data Field contains the Maximum Work Temperature, expressed in °C</p> <p>The JBC device responds with an "A-MAT".</p>

Code	Description	Details
R-MAT	Read - Maximum Temperature	<p>To get the Maximum Temperature selectable With W-STx.</p> <p>The JBC device responds with an "A-MAT".</p> <p>The Data Field contains the Maximum Working Temperature, expressed in °C.</p>
W-MIT	Write - Minimum temperature	<p>Set the Minimum Temperature selectable with W-STx.</p> <p>The Data Field contains the Minimum Work Temperature, expressed in °C.</p> <p>The JBC device responds with an "A-MIT"</p>
R-MIT	Read - Minimum temperature	<p>To get the Minimum Temperature selectable with W-STx.</p> <p>The JBC device responds with an "A-MIT".</p> <p>The Data Field contains the Minimum Work Temperature, expressed in °C.</p>
W-Sxy	Write - Sleep Temperature + port + tool	<p>Sets the Sleep Temperature.</p> <p>The 'x' must be replaced with the number of the destination port and the "y" with the tool number* in ACCII, for example "W-S12", for port 1 and tool TR245.</p> <p>See page 8 for identifier information.</p> <p>The Sleep Temperature must be done in steps of 5 degrees.</p> <p>The data Field contains the Sleep Temperature for the tool, expressed in °C</p> <p>The JBC device answers with an "A-Sxy".</p>

Code	Description	Details
R-Sxy	Read - Sleep Temperature + port + tool	<p>To get the Sleep Temperature.</p> <p>The 'x' must be replaced with the number of the destination port and the "y" with the tool number in ACCII, for example "R-S12", for port 1 and tool TR245. See page 8 for identifier information.</p> <p>The JBC device answers with an "A-Sxy".</p> <p>The Data Field contains the Sleep Temperature, expressed in °C.</p>
W-Dxy	Write - Sleep Delay + port + tool	<p>Sets the Sleep Delay Time.</p> <p>The 'x' must be replaced with the number of the destination port and the "y" with the tool number* in ACCII, for example "W-D12", for port 1 and tool TR245. See page 8 for identifier information.</p> <p>The data Field contains the delay time, to enter into sleep since the command W-PSx-00001 is received. The Sleep Delay must be set in steps of 1 minute with a range from 0 to 9.</p> <p>To disable the sleep mode, send "99999".</p> <p>The JBC device answers with an "A-Dxy".</p>
R-Dxy	Read - Sleep delay + port + tool	<p>To get the Sleep Delay Time.</p> <p>The 'x' must be replaced with the number of the destination port and the "y" with the tool number" in ACCII, for example "R-D12", for port 1 and tool TR245. See page 8 for identifier information.</p> <p>The JBC device answers with an "A-Dxy".</p> <p>The Data Field contains the current Sleep Delay Time, expressed in minutes.</p> <p>If get answered "99999", the sleep mode is disabled.</p>

Code	Description	Details
W-Hxy	Write - Hibernation Delay + port + tool	<p>Sets the Hibernation Delay Time.</p> <p>The 'x' must be replaced with the number of the destination port and the "y" with the tool number* in ACCII, for example "W-H12", for port 1 and tool TR245. See page 8 for identifier information.</p> <p>The Data Field contains the delay time to enter into Hibernation since the Sleep Tool Operating Status is reached. The Hibernation Delay must be set in steps of 5 minutes with a range from 0 to 60 minutes.</p> <p>The Data Field contains the current Hibernation Delay Time, expressed in minutes.</p> <p>To disable the Hibernation mode, send "99999".</p> <p>The JBC device answers with an "A-Hxy".</p>
R-Hxy	Read - Hibernation Delay + port + tool	<p>To get the Hibernation Delay Time.</p> <p>The 'x' must be replaced with the number of the destination port and the "y" with the tool number* in ACCII, for example "R-H12", for port 1 and tool TR245. See page 8 for identifier information.</p> <p>The JBC device answers with an "A-Hxy".</p> <p>The Data Field contains the Hibernation Delay Time, expressed in minutes.</p> <p>If get answered "99999", the Hibernation Mode is disabled.</p>

Code	Description	Details
R-EDx	Read - enter delay time (sleep/ hibernation) + port	<p>To get the remaining delay time before enter into sleep or hibernation mode.</p> <p>The 'x' must be replaced with the number of the destination port in ACCII, for example "R-ED1".</p> <p>The JBC device answers with an "A-EDx".</p> <p>The Data Field contains the remaing time, expressed in seconds.</p>
R-TT	Read - Transformer Temperature	<p>To get the Power Supply Temperature.</p> <p>The JBC device responds with an "A-TT".</p> <p>The Data Field contains the Transformer Temperature, expressed in °C.</p>
R-QTx	Read - Transistor Temp. + port	<p>To get the current Transistor Temperature.</p> <p>The 'x' must be replaced with the number of the destination port in ACCII, for example "R-QT1".</p> <p>The JBC device answers with an "A-QTx".</p> <p>The Data Field contains the current Transistor Temperature, expressed in °C.</p>
W-HAx	Write - Higher Temp Alarm + port	<p>Sets the upper Temperature Alarm limit.</p> <p>The 'x' must be replaced with the number of the destination port in ASCII, for example, "W-HA1".</p> <p>The data Field contains the upper Temperature Alarm limit, epressed in °C. The temperature modification must be done in steps of 5 degrees.</p> <p>The JBC device responds with an "A-HAx".</p>

Code	Description	Details
R-HAx	Read - Higher Temp. Alarm + port	<p>To get the Upper Temperature Alarm limit.</p> <p>The 'x' must be replaced with the number of the destination port in ACCII, for example "R-HA1".</p> <p>The JBC device answers with an "A-HAx".</p> <p>The Data Field contains the upper Temperature Alarm limit, expressed in °C.</p>
W-LAx	Write - Lower Temp Alarm + port	<p>Sets the lower Temperature Alarm limit.</p> <p>The 'x' must be replaced with the number of the destination port in ASCII, for example, "W-LA1".</p> <p>The Data Field contains the Lower Temperature Alarm limit, expressed in °C. The temperature modification must be done in steps of 5 degrees.</p> <p>The JBC device responds with an "A-LAx".</p>
R-LAx	Read - Lower Temp Alarm + port	<p>To get the Lower Temperature Alarm limit.</p> <p>Replace the 'x' with the number of the destination port in ASCII, for example, "R-LA1".</p> <p>The JBC device responds with an "A-LAx".</p> <p>The Data Field contains the lower Temperature Alarm limit, expressed in °C.</p>

Code	Description	Details
<p>W-HDx</p>	<p>Write - Higher Delay Alarm + port</p>	<p>Sets the delay time to activate the Upper Temperature Alarm. The delay time starts when the tip temperature is above the value in HAx.</p> <p>Replace the 'x' with the number of the destination port in ASCII, for example "W-HD1".</p> <p>The Data Field contains the delay time to activate the Upper Temperature Alarm, expressed in seconds and hundreds of seconds, according to: Format "ss.cc" in ASCII. "ss" corresponds to the time in seconds, and "cc" corresponds to the time in hundreds of a second. Example: "01.60" means 1,6s; "00.10" means 0.1s.</p> <p>The JBC device responds with an "A-HDx".</p> <p>To disable the Hibernation mode, send "99999".</p>
<p>R-HDx</p>	<p>Read - Higher Delay Alarm + port</p>	<p>To get the delay time to activate the Upper Temperature Alarm.</p> <p>Replace the 'x' with the number of the destination port in ASCII, for example "R-HD1".</p> <p>The Data Field contains the delay time to activate the Upper Temperature Alarm, expressed in seconds and hundreds of seconds, according to: "Format "ss.cc" in ASCII. "ss" corresponds to the time in seconds, and "cc" corresponds to the time in hundredths of a second. Example: "01.60" means 1,6s; "00.10" means 0,1s. When the tip temperature is above the Upper Temperature Alarm for a longer time than the delay set in the HDx, the Alarm will be set to 1."</p> <p>The Data Field contains the Higher Delay Alarm.</p> <p>"99999" means that the alarm is disabled.</p>

Code	Description	Details
W-LDx	Write - Lower Delay Alarm + port	<p>Sets the delay time to activate the Lower Temperature Alarm.</p> <p>The delay time is counted, when the temperature falls below the "Lower Temperature Alarm" limit; previously defined with LAX.</p> <p>Replace the 'x' with the number of the destination port in ASCII, for example "W-LD1".</p> <p>The Data Field contains the delay time to activate the "Lower Temperature Alarm", expressed in seconds and hundredths of seconds, according to: Format "ss.cc" in ASCII. "ss" corresponds to the time in seconds, and "cc" corresponds to the time in hundredths of a second. Example: "01.60" means 1,6s; "00.10" means 0,1s.</p> <p>The JBC device responds with an "A-LDx".</p> <p>To disable the Hibernation mode, send "99999".</p>
R-LDx	Read - Lower Delay Alarm + port	<p>To get the delay time to activate the Lower Temperature Alarm.</p> <p>When the tip temperature falls down the Lower Temperature Alarm for a longer time than the delay set in the W-Lax, the Alarm will be set to 10.</p> <p>Replace the 'x' with the number of the destination port in ASCII, for example "R-LD1".</p> <p>The Data Field contains the delay time to activate the "Lower Temperature Alarm", expressed in seconds and hundredths of seconds, according to: Format "ss.cc" in ASCII. "ss" corresponds to the time in seconds, and "cc" corresponds to the time in hundredths of a second. Example: "01.60" means 1,6s; "00.10" means 0,1s.</p> <p>The JBC device responds with an "A-LDx"</p> <p>"99999" means that the alarm is disabled.</p>

Code	Description	Details
R-TAx	Read - Temperature Alarm + port	<p>To get the Temperature Alarm indicator.</p> <p>Replace the 'x' with the number of the destination port in ASCII, for example "R-TA1".</p> <p>The JBC device responds with an "A-TAx".</p> <p>The Data Field contains the Temperature Alarm value according to: 0 - Alarm disabled 1 - Alarm activated"</p> <p>The units digit contains the high temperature alarm (HTA) and the tens digit contains the low temperature alarm (LTA). Example: 00001 = HTA 00010 = LTA 00011 = HTA+LTA"</p> <p>'0' means there is no alarm. '1' means the alarm has been previously set to "on".</p>
R-SMN	Read - Station Model Name	<p>To get the JBC Device Model Name</p> <p>The JBC device responds with an "A-SMN".</p> <p>The Data Field contains the requested information.</p>
R-CTx	Read - Connect Tool + port	<p>To get the Connected Tool. See page 8 for value information.</p> <p>The 'x' must be replaced with the number of the destination port in ASCII, for example "R-CT1".</p> <p>The JBC device response with A-CTx.</p> <p>The Data Field contains the identifier of the current connected tool.</p>

Code	Description	Details
R-PE_x	Read - Port Error + port	<p>To get the Port Error. See page 8 for value information.</p> <p>The 'x' must be replaced with the number of the destination port in ACCII, for example "R-PE1".</p> <p>The JBC device answers with an "A-PE_x".</p> <p>The Data Field contains the current Port Error. For example "A-PE1 00004" for "no tool" error.</p>
R-SER	Read - Station Error	<p>To get the JBC Device Error.</p> <p>See page 8 for value information. The JBC device responds with an "A-SER".</p> <p>The Data Field contains the JBC Device Error value.</p>
W-RST	Write - Restart Station	<p>To restart the JBC Device.</p>
W-RSP	Write - Reset Station Parameters (factory default)	<p>To reset the JBC Device Parameters to the factory default parameters.</p> <p>The JBC device responds with an "A-RSP".</p>
R-CP_x	Read - Counter Plugged Hours + port	<p>To get the Counter value for "Plugged Hours",</p> <p>Replace the 'x' with the number of the destination port in ASCII, for example "R-CP1".</p> <p>The JBC device responds with an "A-CP_x".</p> <p>The Data Field contains the Counter value of "Plugged Hours", expressed in hours.</p>

Code	Description	Details
R-CNx	Read - Counter No Tool Hours + port	<p>To get the Counter value of “No Tool Hours”</p> <p>Replace the ‘x’ with the number of the destination port in ASCII, for example “R-CN1”.</p> <p>The JBC device responds with an “A-CNx”.</p> <p>The Data Field contains the Counter value of “No Tool Hours”, expressed in hours.</p>
R-CSx	Read - Counter Sleep Hours + port	<p>To get the Counter value of “Sleep Hours”</p> <p>Replace the ‘x’ with the number of the destination port in ASCII, for example “R-CS1”.</p> <p>The JBC device responds with an “A-CSx”.</p> <p>The Data Field contains the Counter value of “Sleep Hours”, expressed in hours.</p>
R-CHx	Read - Counter Hibernation Hours + port	<p>To get the Counter value of “Hibernation Hours”.</p> <p>Replace the ‘x’ with the number of the destination port in ASCII, for example “R-CH1”.</p> <p>The JBC device responds with an “A-CHx”.</p> <p>The Data Field contains the Counter value of “Hibernation Hours”, expressed in hours.</p>
R-CWx	Read - Counter Work Hours + port	<p>To get the Counter value of “Work Hours”.</p> <p>Replace the ‘x’ with the number of the destination port in ASCII, for example “R-CW1”.</p> <p>The JBC device responds with an “A-CWx”.</p> <p>The Data Field contains the Counter value of “Work Hours”, expressed in hours.</p>

Code	Description	Details
R-CCx	Read - Counter Sleep + port	<p>To get the Counter value of "Sleep Cycles", means the number of times the tool went into Sleep Mode.</p> <p>The 'x' must be replaced with the number of the destination port in ACCII, for example "RCC1".</p> <p>The JBC device responds with an "ACCx"</p> <p>The Data field contains the number of times the tool went into Sleep Mode.</p>
R-CDx	Read - Counter Desold + port	<p>To get the Counter value of "Desoldering Cycles", means the number of times the desoldering tool has been activated.</p> <p>The 'x' must be replaced with the number of the destination port in ACCII, for example "RCC1".</p> <p>The JBC device responds with an "A-CDx".</p> <p>The Data field contains the number of times the desoldering tool has been activated.</p>
W-NVS	Write - Non-volatile Setting	<p>To save the work temperature selected with W-STx, in the EEPROM memory.</p> <p>The next time the JBC Device starts, this stored temperature will be loaded.</p> <p>The data field must contains "00000".</p> <p>The JBC device responds with an "A-NVS".</p>
W-SAD	Write new source address / new addressing mode	<p>Forces the station to write a new source address by filling the data field with a value compressed between "00000" and "00099".</p> <p>If the data field contains "00000", the station assumes that the protocol is changed to "with-no-address" mode.</p> <p>Warning: Command only available for UCR stations.</p>

Code	Description	Details
R-FST	Read - Fuse state	<p>To get the JBC Device Fuse status.</p> <p>The JBC device responds with an "A-FST".</p> <p>The Data Field contains the JBC Device Fuse status value according to:</p> <p>'0' - There is no fuse '1' - There is fuse</p> <p>Warning: Command only available for UCR stations.</p>
R-SVR	Read - Software version	<p>To get the JBC Device Software Version.</p> <p>The JBC device responds with an "A-SVR".</p> <p>The Data Field contains the requested information.</p>

Examples Communication Frames for Soldering Stations

Frame with addresses - Write Maximum Work Temperature Command

Source Address: 00; original Target Address: 01; Command: W-MAT; set Max. Work Temp. to 375°C

Codification	Start	Source Address	Target Address	Operation Header	Operation Code	Data	Stop	Check
ASCII	STX	00	01	W	MAT	00375	ETX	calculated
HEX	02	3030	3031	57	4D4154	3030333735	03	3E

Sending code: 0230303031574D41543030333735033E

Frame without addresses - Write Maximum Work Temperature Command

Command: W-MAT; set Max. Work Temp. to 375°C

Codification	Start	Operation Header	Operation Code	Data	Stop	Check
ASCII	STX	W	MAT	00375	ETX	calculated
HEX	02	57	4D4154	3030333735	03	3F

Sending code: 02574D41543030333735033F

Factory Settings for Control Box

Communication configuration: 19200 - 8N1

Device Settings

Max. Temperature: 500°C

Min. Temperature: 90°C

General Settings

With Addresses: Ttarget Address: 01
Source Address: 00

Device Port: 1

Mode/Status: Extract (stand by)

Selected Work Temperature: 350°C

Sleep Temperature: 150°C

Sleep Delay Time: 10sec.

Tool Settings

Upper Temperature Alarm: not set

Lower Temperature Alarm: not set

Adjust Temperature: 0°C

Sleep Temperature: 150°C

Sleep Delay Time: 0 sec.

Hibernation Delay Time: 10 sec.



More information available on our website

www.jbctools.com