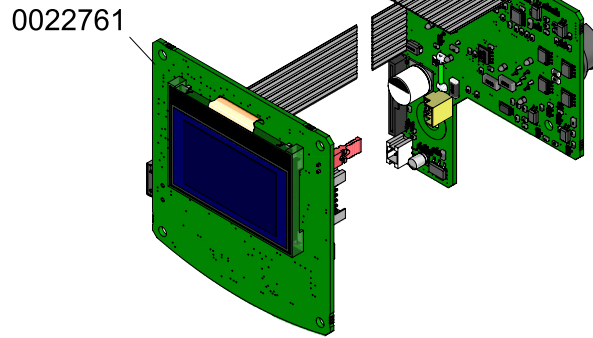


WS-1A 120V
WS-2A 230V

HIGH-TEMPERATURE WIRE STRIPPER STATION



SPARE PARTS	
WS-1A / WS-2A:	
-CIRCUIT	0022761
-ENCLOSURE	
· TOP	0011435
· BOTTOM	0014032
· FRONT	0013830
· BACK	0003506

WS-1A 120V FUSE T-1,25A
 WS-2A 230V FUSE T-0,63A

