

# JBC

[www.jbctools.com](http://www.jbctools.com)

English



## Stand for HT470-A

Ref. HDT-SD

## Packing List

The following items should be included:

**Stand for HT470** .....1 unit  
Ref. HDT-SD



**Stand cable 1m** ..... 2 units  
Ref. 0011283



**Cable flange**.....1 unit  
Ref. 0010546

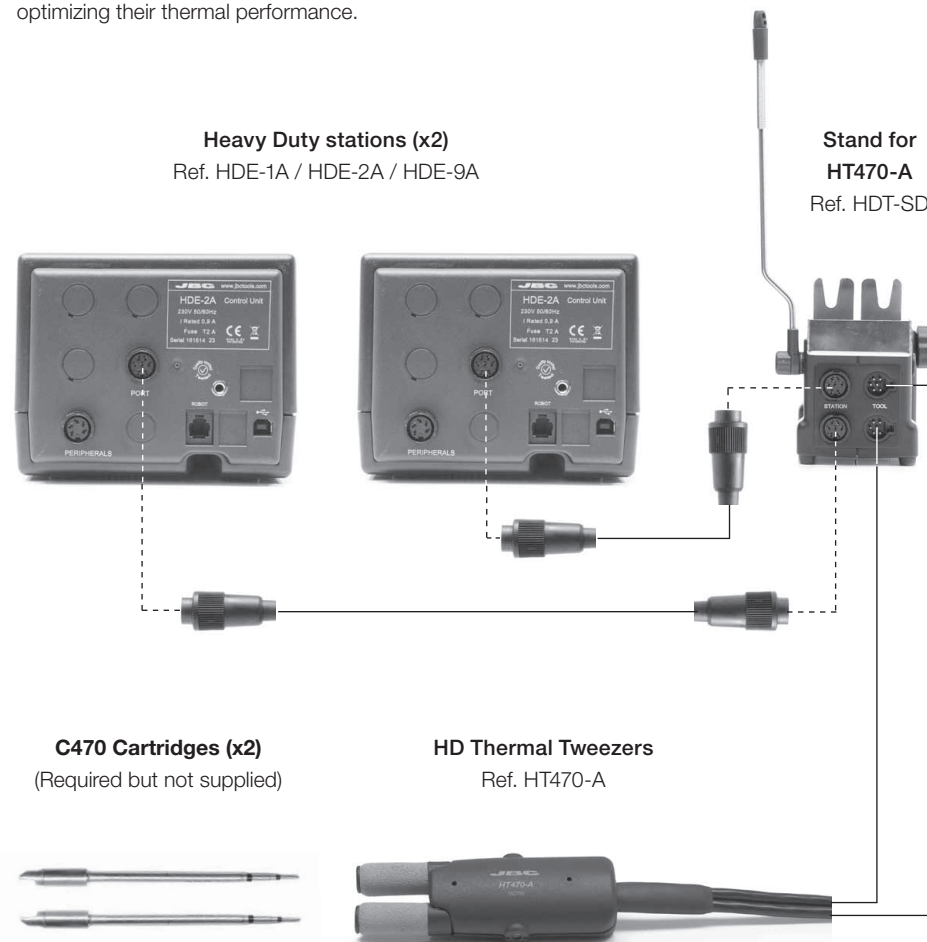


**Manual**.....1 unit  
Ref: 0014775



## Features

This kit requires two Heavy Duty stations (HDE) to manage the cartridges individually thereby optimizing their thermal performance.



Find the C470 cartridges that best suit your needs in [www.jbctools.com](http://www.jbctools.com)  
For special models, please contact us.

## Adjustable Stand

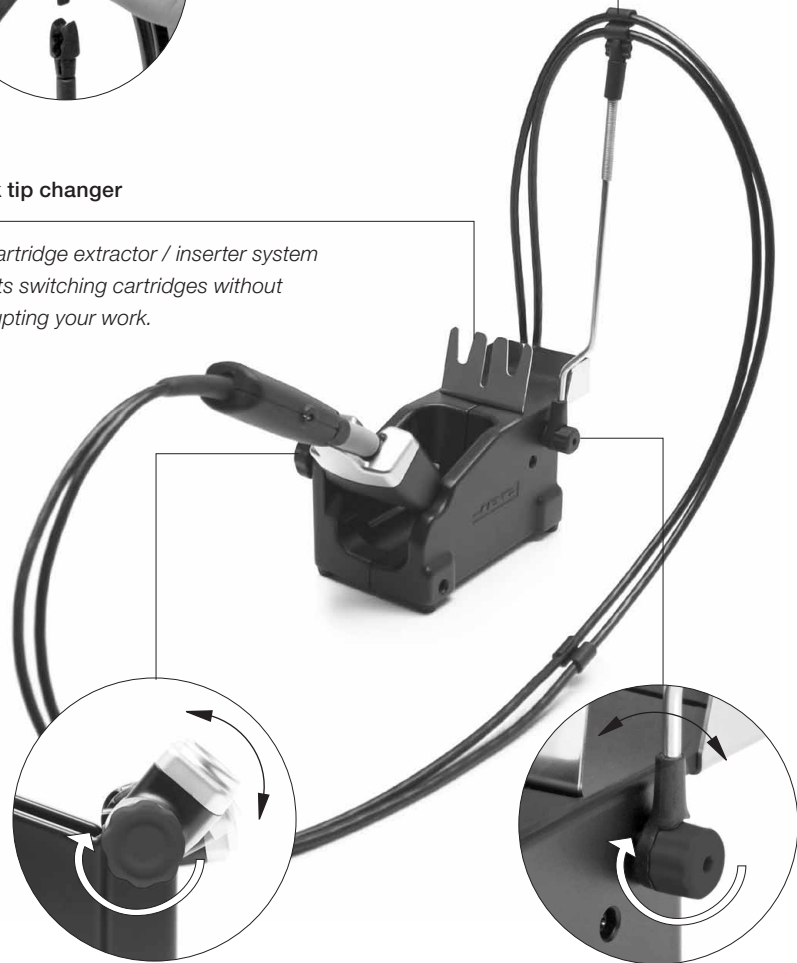


**Cable collector & cable flange**

*Keeps working area free of cables.*

### Quick tip changer

*The cartridge extractor / inserter system permits switching cartridges without interrupting your work.*

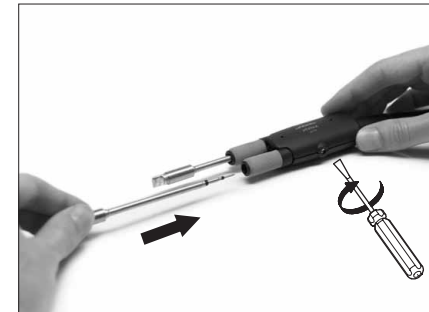


**Adjustable tool holder**  
*Suits your work position.*

**Adjustable cable collector**

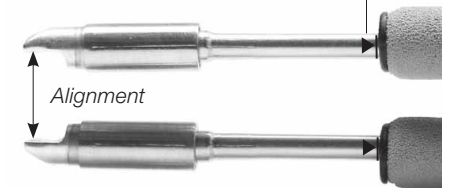
## Placing Cartridges

1. Insert both cartridges when the station is off.
2. Align them.
3. Tighten both screws for a correct use.



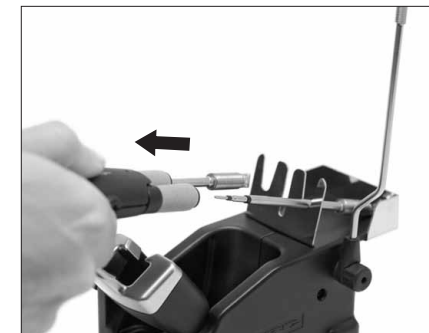
⚠ Make sure the cartridges have cooled down before replacing them.

**Important:** It is essential to insert the cartridges as far as the mark for a proper connection.



## Changing Cartridges

1. Turn the station off.
2. Loosen the screws.
3. Remove the cartridges using the extractor.



4. Follow the "Placing cartridges" guidelines. You can also use the extractor to insert the cartridges.



## Maintenance

Before carrying out maintenance or storage, always unplug the stand from the station and the tool.

- Periodically check that the metal parts are clean so that the station can detect the tool status. Use a damp cloth or alcohol.
- Periodically check all cables and tubes connected.
- Replace any defective or damaged parts. Use original JBC spare parts only.
- Repairs should be performed only by a JBC authorized technical service.

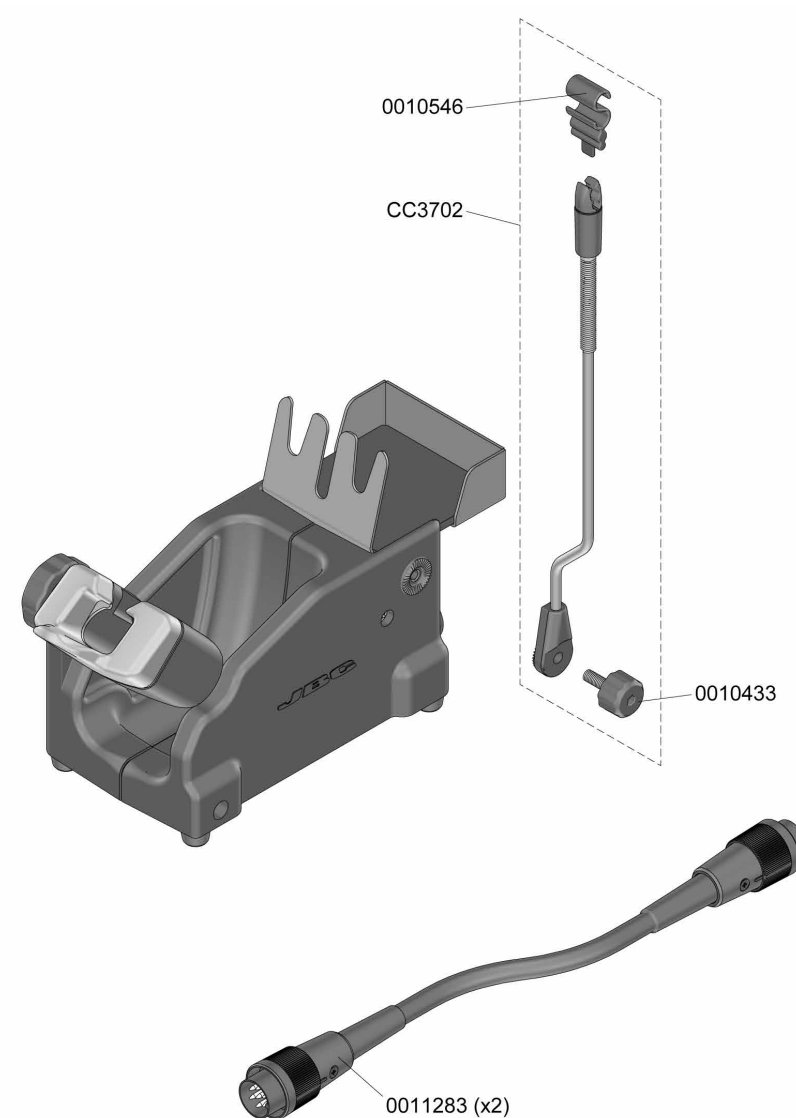


## Specifications

- Total weight: 1.65 Kg (3.63 lbs)

Complies with CE standards  
ESD protected housing "skin effect"

## Exploded View



# **JBC**

---

## **Warranty**

JBC's 2 year warranty covers this equipment against all manufacturing defects, including the replacement of defective parts and labour. Warranty does not cover product wear due to use or mis-use.

In order for the warranty to be valid, equipment must be returned, postage paid, to the dealer where it was purchased.

---



This product should not be thrown in the garbage.  
In accordance with the European directive 2002/96/EC, electronic equipment at the end of their life must be collected and returned to an authorized recycling facility.