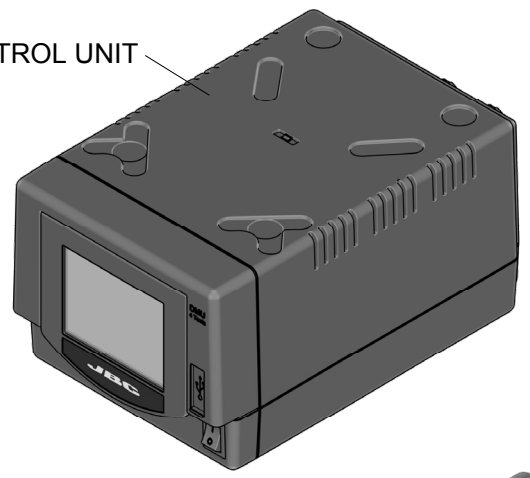


DMS

4-Tool DMU Desoldering Station

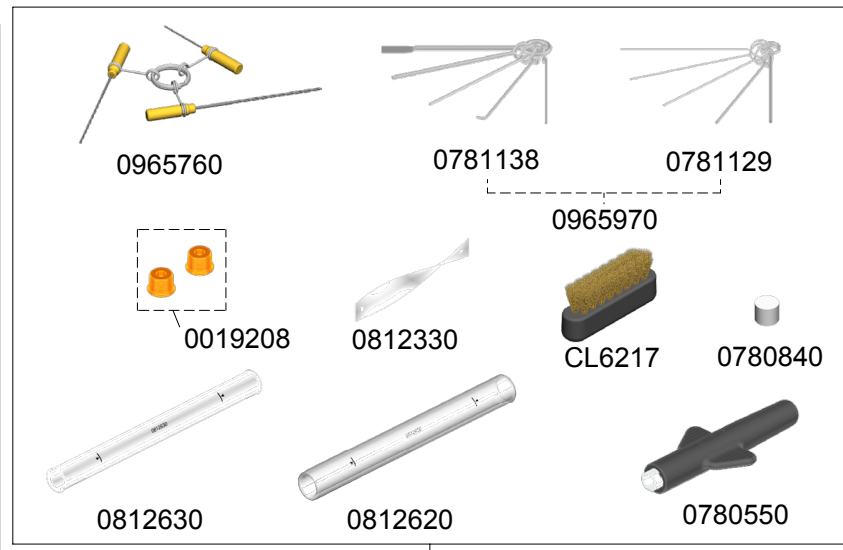
- Ref.: **DMSE-9QB** 100V
- DMSE-1QB** 120V
- DMSE-2QB** 230V

DMU CONTROL UNIT



SPARE PARTS	
DMU CONTROL UNIT	
-CIRCUIT	0028821
-ENCLOSURE	
· TOP	0019028
· BOTTOM	0026182
· FRONT+DISPLAY	0026184
· BACK	0026183
MSE ELECTRIC DESOLDERING MODULE	
-CIRCUIT	0018453
-ENCLOSURE	
· TOP	0015266
· BOTTOM	0022642
· FRONT	0014688
· BACK	0015261
-PUMP	0005652

Ref.: **DMSE-9QB** 100V FUSE T-8A
DMSE-1QB 120V FUSE T-6A
DMSE-2QB 230V FUSE T-3,15A



0965760

0781138

0781129

0965970

0019208

0812330

CL6217

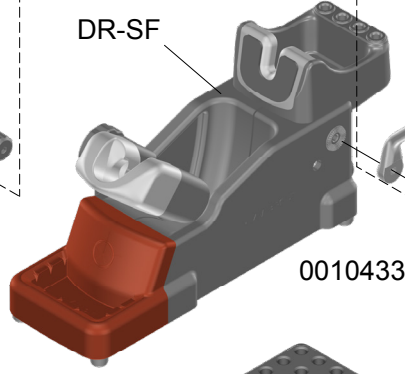
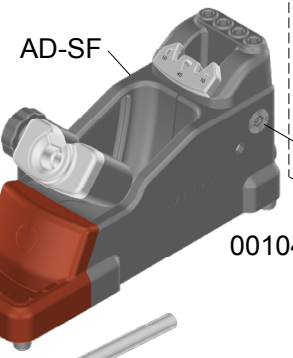
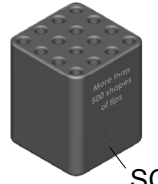
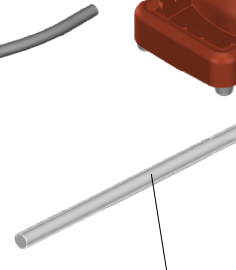
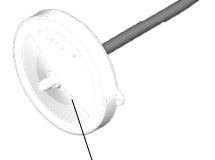
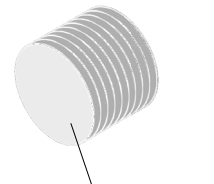
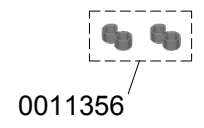
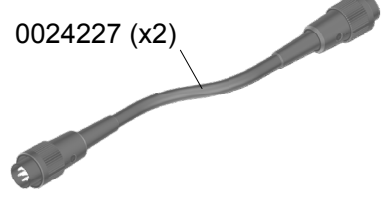
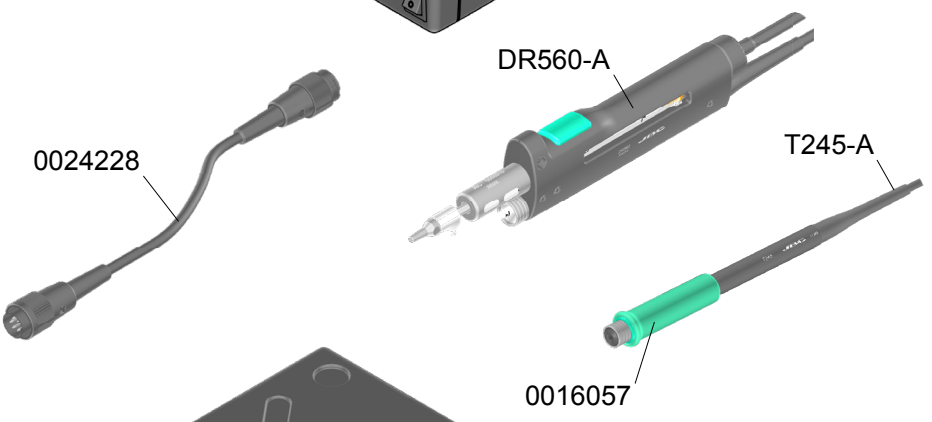
0780840

0812630

0812620

0780550

0022820



CC1001

0010546

CC1001

0010433

0010433

MSE ELECTRIC DESOLDERING MODULE

0005966

0781046

0821830

0786640

CL6210 (x2)

S7034 (x2)

SCH-A