

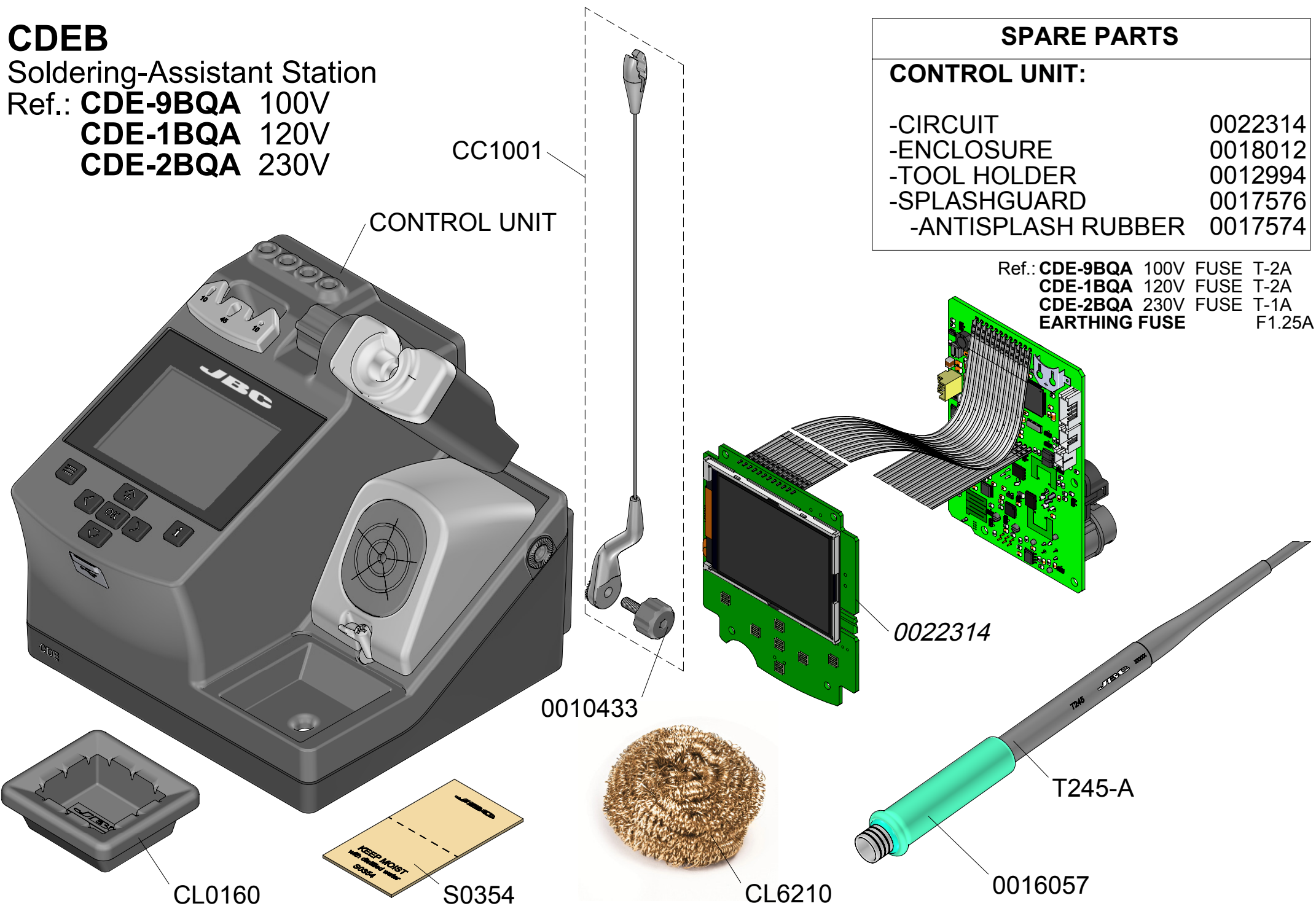
CDEB

Soldering-Assistant Station

Ref.: **CDE-9BQA** 100V

CDE-1BQA 120V

CDE-2BQA 230V



SPARE PARTS

CONTROL UNIT:

-CIRCUIT	0022314
-ENCLOSURE	0018012
-TOOL HOLDER	0012994
-SPLASHGUARD	0017576
-ANTISPLASH RUBBER	0017574

Ref.: CDE-9BQA	100V	FUSE	T-2A
CDE-1BQA	120V	FUSE	T-2A
CDE-2BQA	230V	FUSE	T-1A
EARTHING FUSE			F1.25A

CC1001

CONTROL UNIT

0022314

0010433

T245-A

0016057

CL0160

S0354

CL6210