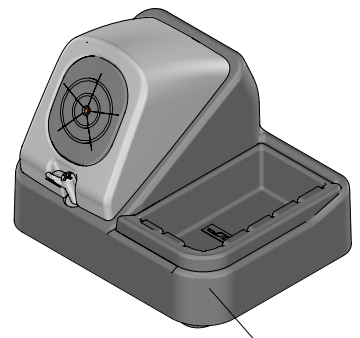
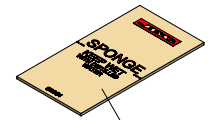
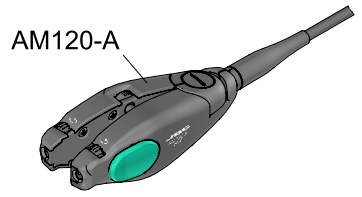
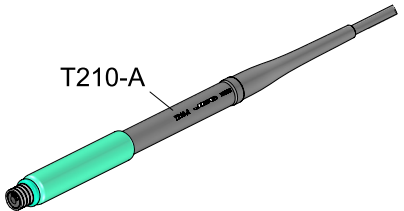
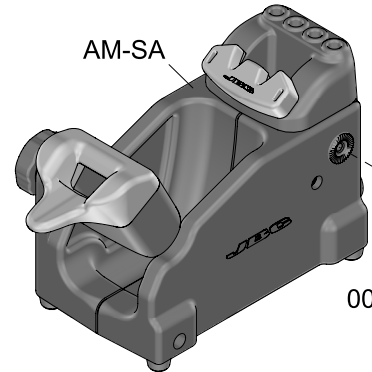
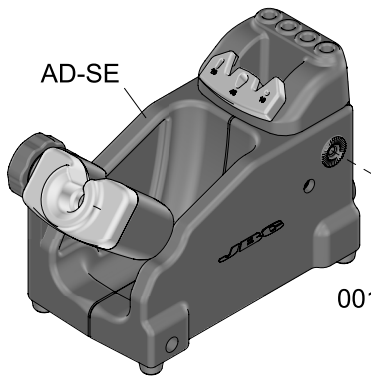
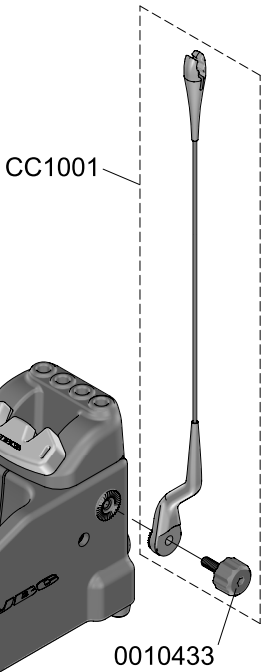
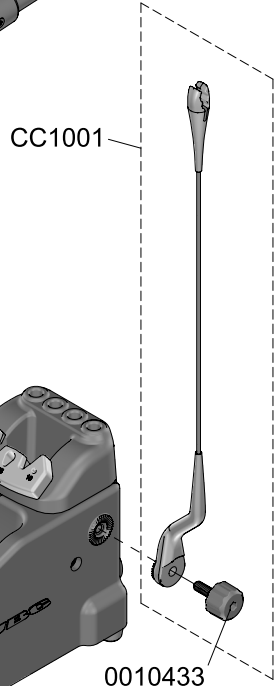
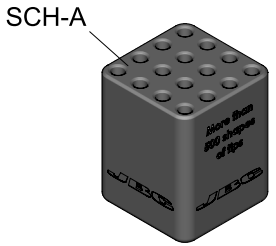
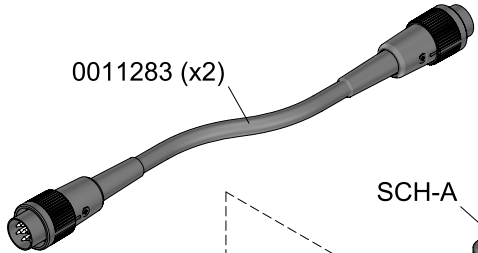


DDPE-1QB 120V
 DDPE-2QB 230V
 DDPE-9QB 100V

PRECISION STATION

DDE-1C / DDE-2C / DDE-9C



SPARE PARTS	
DDE-1C / DDE-2C / DDE-9C:	
-REAR CIRCUIT	0022953
-ENCLOSURE	
· TOP	0019028
· BOTTOM	0014567
· FRONT+DISPLAY	0019246
· BACK	0021064

DDPE-1QB 120V FUSE T-4A
 DDPE-2QB 230V FUSE T-2A
 DDPE-9QB 100V FUSE T-5A

0010433

0010433

CL6210

S0354

CL8499