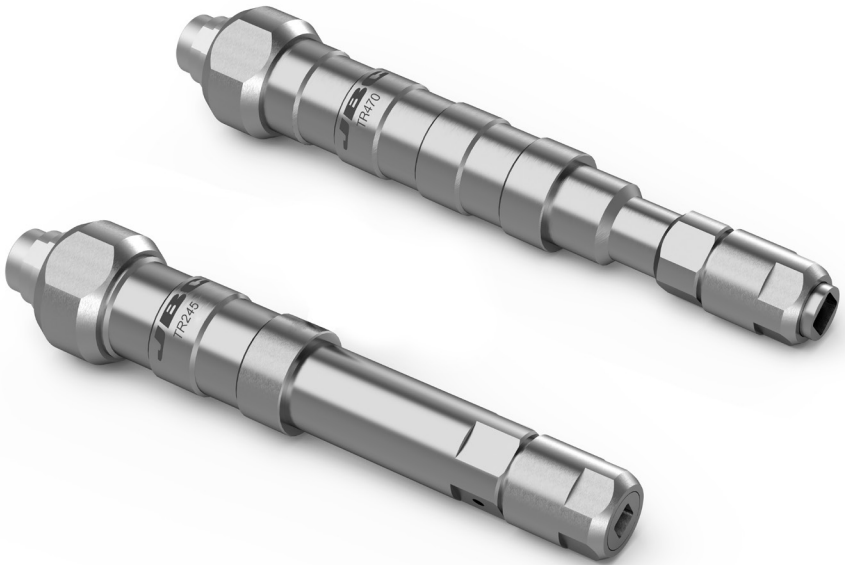


JBC

www.jbctools.com

INSTRUCTION MANUAL



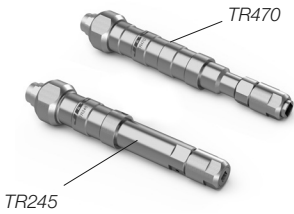
TR245/TR470

General/Heavy Duty Soldering Tool
for Robot

This manual corresponds to the following references:

- **TR245-B** works with R245 cartridges
- **TR470-B** works with R470 cartridges

Packing List



**Soldering Tool
for Robot** 1 unit
According to purchased reference.

Clamp 1 unit

**Electrical
Insulator** 1 unit



**Screw
DIN 912 M3x10**..... 2 units



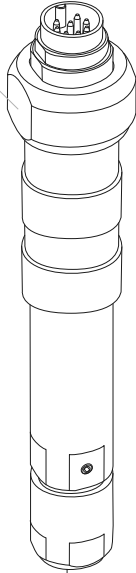
**Screw
DIN 912 M4x16**..... 1 unit



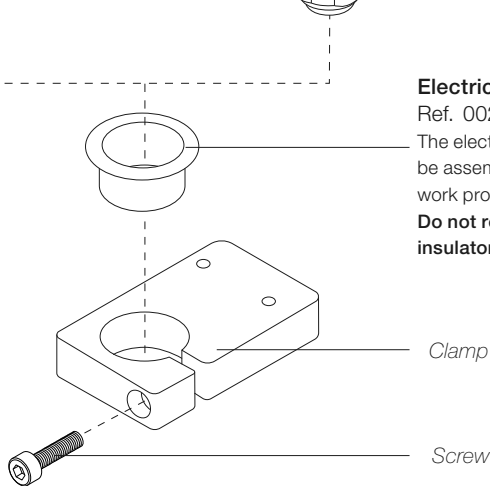
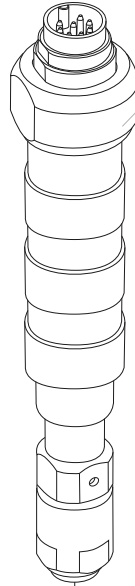
Manual 1 unit
Ref. 0028118

Assembly

TR245
General Soldering Tool
for Robot*



TR470
Heavy Duty Soldering Tool
for Robot*



Electrical Insulator

Ref. 0020440

The electrical insulator must be assembled for the tool to work properly.

Do not remove the insulator.

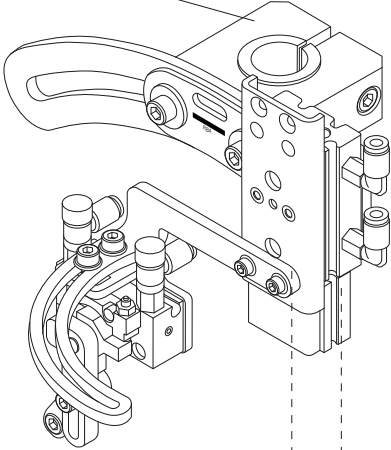
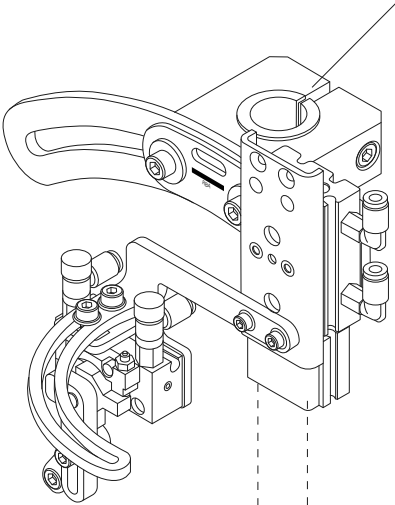
Clamp

Screw

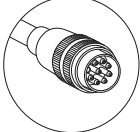
* If the soldering tool is assembled differently, it must be in such a way that it is fixed and electrically isolated.

Assembly with RBA

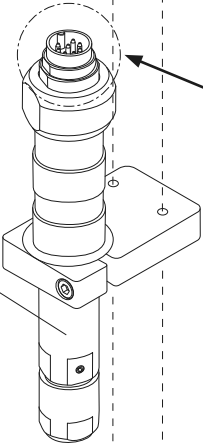
RBA
Soldering Head
for Robot*



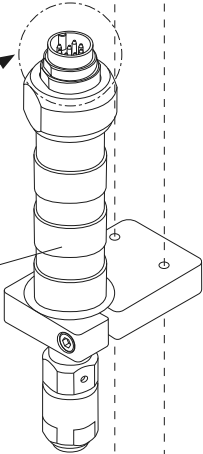
Tool Cable*
Ref. 0021403
TR is connectable to UCR
by using the tool cable



TR245
Soldering Tool



TR470
Soldering Tool



Screws
Ref. 0722900



* Not included, sold separately.

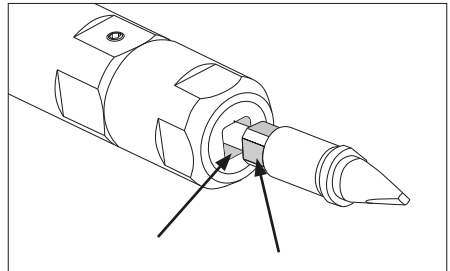
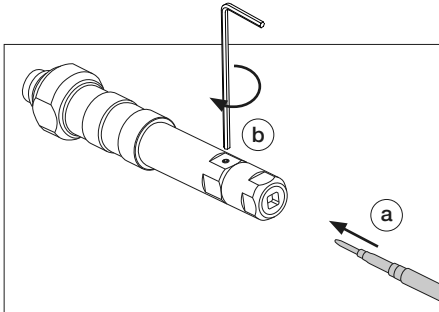
Inserting and Removing Cartridges



For any manual operation make sure the power is off and both the tool and cartridge are cold. Before removing or inserting the cartridge, make sure the air pressure is off.

Insert the cartridge and press lightly until it is placed in the soldering tool (a). Use an Allen key to fix the cartridge in the handle (b).

The square recess of the soldering tool must be matched with the square shape of the cartridge. Insert the cartridge until the two square shapes come to a limit stop inside.



Compatibility

	Cartridge Range	Control Unit
TR245	R245	UCR245
TR470	R470	UCR470

RBA, SFR, GSFR and CLMR/CLMRP are compatible with both R245 and R470 ranges.

Cartridge Range

Find the cartridge model that best suits your soldering needs on www.jbctools.com.



Chisel



Pin / Connector



Drag

Workplace Example

HM Soldering Set

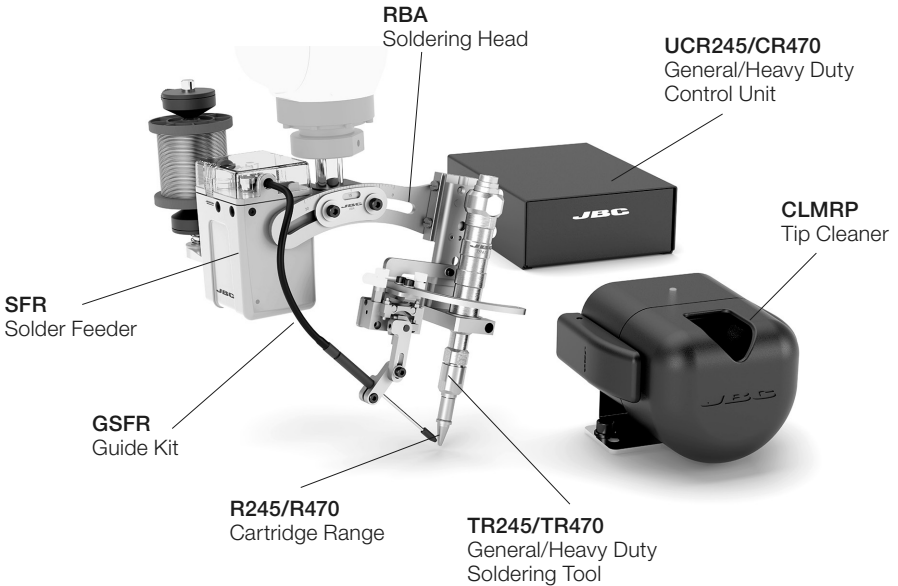
Cartridges are changed manually.

HM245

General Set - works with R245 Cartridges

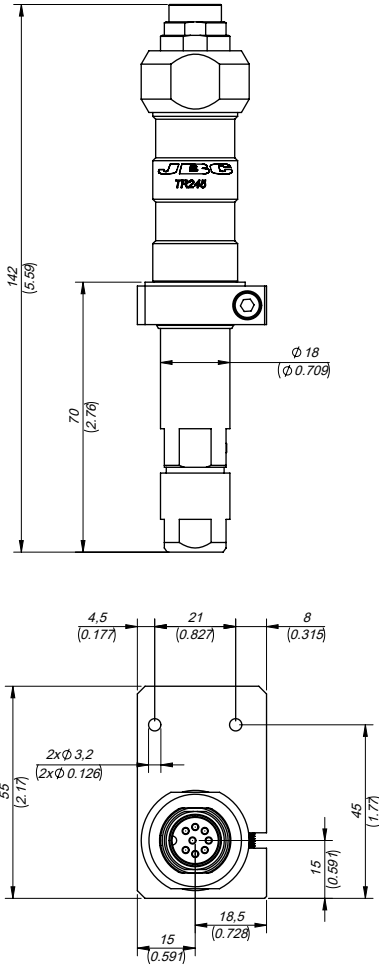
HM470

Heavy Duty Set - works with R470 Cartridges

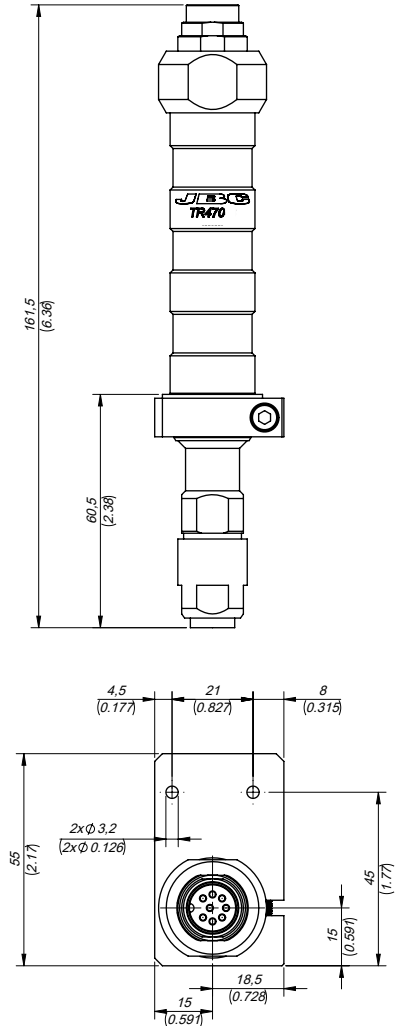


Dimensions

Soldering Tool
TR245



Soldering Tool
TR470



mm
(in)

Maintenance

- Before carrying out maintenance, always unplug the tool.
- Use a damp cloth to clean the tool. Alcohol can only be used to clean the metal parts.
- Periodically check that the metal parts of the tool are clean so the station can detect the tool status
- Periodically check all cable and tube connections.
- Maintain the tip surface clean and tinned prior to storage in order to avoid tip oxidation. Rusty and dirty surfaces reduce heat transfer to the solder joint.
- Replace any defective or damaged parts. Use original JBC spare parts only.
- Repairs should only be performed by a JBC authorized technical service.

Safety



It is imperative to follow safety guidelines to prevent electric shock, injury, fire or explosion.

- Do not use the soldering tool for any purpose other than soldering or rework. Incorrect use may cause a fire.
- Do not leave the appliance unattended when it is on.
- Be sure that the power supply is disconnected before changing any spare parts.
- The temperature of accessible surfaces may remain high after the unit is turned off. Handle with care.
- Allow cartridges to cool down before changing them.
- Heat can cause inflammable products to ignite even when not visible.
- Avoid flux coming into contact with skin or eyes to prevent irritation.
- Be careful with the fumes produced when soldering.
- Keep your workplace clean and tidy. Wear appropriate protective glasses and gloves when working to avoid personal injury.
- Utmost care must be taken with liquid tin waste which can cause burns.

Specifications

TR245

General Soldering Tool for Robot

Ref.: TR245-B

- Total Net Weight: 230 g / 0.51 lb
- Dimensions: 142 x 28 mm
(L x W) 5.59 x 1.10 in
- Package Dimension: 283 x 79 x 56 mm
(L x W x H) 11.14 x 3.11 x 2.20 in
- Package Weight: 319 g / 0.70 lb

Clamp only

- Net Weight: 44 gr / 0.10 lb
- Dimensions: 55 x 33.5 x 10 mm
(L x W x H) 2.17x 1.32 x 0.39 in

Complies with CE standards.
ESD safe.

TR470

Heavy Duty Soldering Tool for Robot

Ref.: TR470-B

- Total Net Weight: 236 g / 0.52 lb
- Dimensions: 161.5 x 28 mm
(L x W) 6.36 x 1.10 in
- Package Dimension: 283 x 79 x 56 mm
(L x W x H); 11.14 x 3.11 x 2.20 in
- Package Weight: 325 g / 0.72 lb

JBC

Warranty

JBC's 2 year warranty covers this equipment against all manufacturing defects, including the replacement of defective parts and labor.

Warranty does not cover product wear or misuse.

In order for the warranty to be valid, equipment must be returned, postage paid, to the dealer where it was purchased.



This product should not be thrown in the garbage.

In accordance with the European directive 2012/19/EU, electronic equipment at the end of its life must be collected and returned to an authorized recycling facility.



www.jbctools.com

0028118-130625