

JBC

www.jbctools.com

INSTRUCTION MANUAL



UC1000

USB Cable Adapter

This manual corresponds to the following reference:

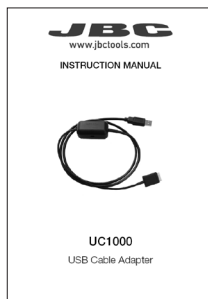
Ref. UC1000

Packing List

The following items are included:



USB Cable Adapter 1 unit

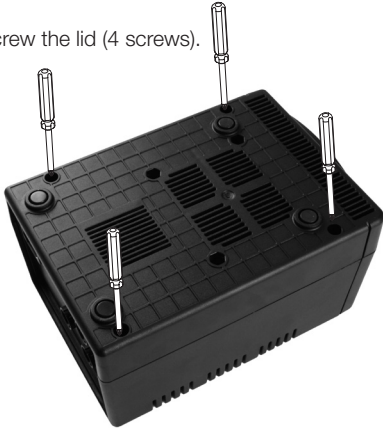


Manual 1 unit

Ref. 0033069

DD/DM/HD Control Units

Unscrew the lid (4 screws).



Carefully remove the lid.



Connect the USB cable adaptor into the front circuit socket.



Place back the lid without screwing it.

Plug in the power cord.

Plug the USB cord into the PC.

Turn the station on.

Reprogram the station (see software manual).

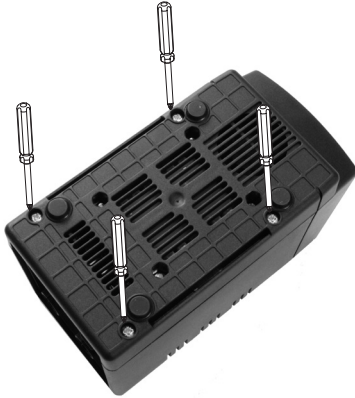


Once the programming operation is done:

- Turn off the station
- Unplug the power cord from the station
- Unplug the USB cable from the PC and the station
- Assemble the lid. Make sure that all the jumpers are properly connected.
- Screw the lid.

DI Control Unit

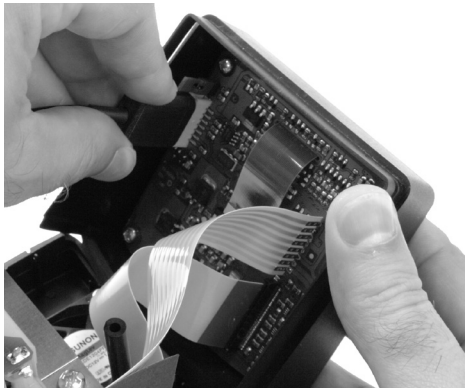
Unscrew the lid (4 screws).



Carefully remove the lid.



Connect the USB cable adaptor into the front circuit socket.



Place the lid back on without screwing it.

Plug in the power cord.

Plug the USB cord into the PC.

Turn the station ON.

Reprogram the station (see software manual).

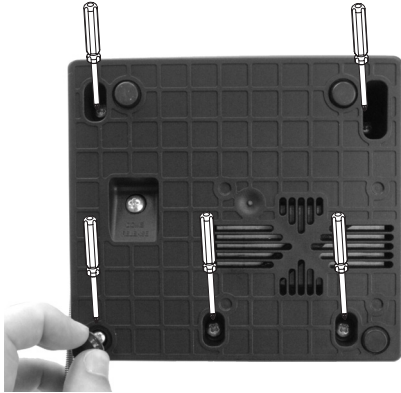


Once the programming operation is done:

- Turn off the station.
- Unplug the power cord from the station.
- Unplug the USB cable from the PC and the station.
- Assemble the lid. Make sure that all the jumpers are properly connected.
- Screw back the lid.

COMPACT LINE UNITS

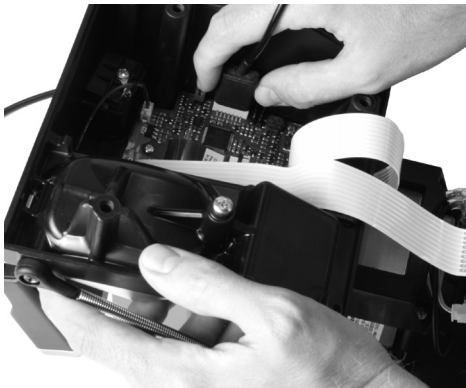
Unscrew the housing (5 screws).



Carefully remove the housing.



Connect the USB cable adaptor into the front circuit socket.



Place the lid back on without screwing it.

Plug the power cord.

Plug the USB cord to the PC.

Turn the station ON.

Reprogram the station (see software manual).



Once the programming operation is done:

- Turn off the station.
- Unplug the power cord from the station.
- Unplug the USB cable from the PC and the station.
- Assemble the lid. Make sure that all the jumpers are properly connected.
- Screw the housing.

NANO Control Units

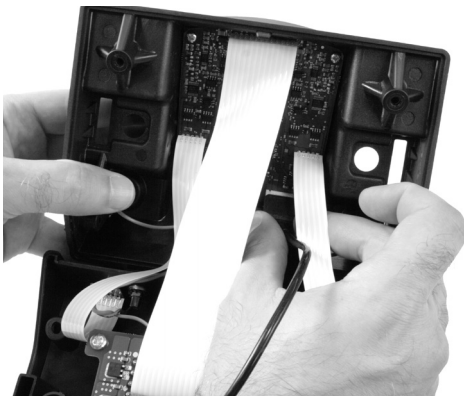
Unscrew the housing (4 screws).



Carefully remove the housing.



Connect the USB cable adaptor into the socket.



Place the housing back on without screwing it.
Plug in the power cord.
Plug the USB cord into the PC.
Turn the station on.
Reprogram the station (see software manual).



Once the programming operation is done:

- Turn off the station.
- Unplug the power cord from the station.
- Unplug the USB cable from the PC and the station.
- Assemble the housing. Make sure that all the jumpers are properly connected.
- Screw the housing.

JT/TE Hot Air Stations

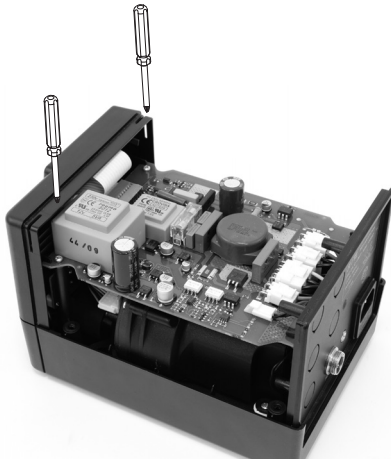
Unscrew the housing (4 screws).



Carefully remove the housing.



To have access to the connections you need to loosen the screws and tilt the front panel out.



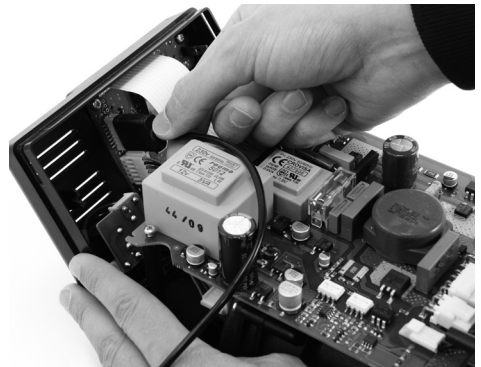
Connect the USB cable adaptor into the socket.

Plug in the power cord.

Plug the USB cord into the PC.

Turn the station on.

Reprogram the station (see software manual).



Once the programming operation is done:

- Turn off the station.
- Unplug the power cord from the station.
- Unplug the USB cable from the PC and the station.
- Assemble the housing. Make sure that all the jumpers are properly connected.
- Screw the housing.

Specifications

UC1000
USB Cable Adapter
Ref. **UC1000**

- Net weight: 52 g / 0.11 lb
- Package dimensions/weight:
(L x W x H) 227 x 73 x 50 mm / 120.7 g
8.94 x 2.87 x 1.97 in / 0.27 lb

Complies with CE standards.
ESD Safe.

JBC

Warranty

JBC's 2 year warranty covers this equipment against all manufacturing defects, including the replacement of defective parts and labour.

Warranty does not cover product wear or misuse.

In order for the warranty to be valid, equipment must be returned, postage paid, to the dealer where it was purchased.



This product should not be thrown in the garbage.

In accordance with the European directive 2012/19/EU, electronic equipment at the end of its life must be collected and returned to an authorized recycling facility.



www.jbctools.com

0033069-090124