

# PHBEK

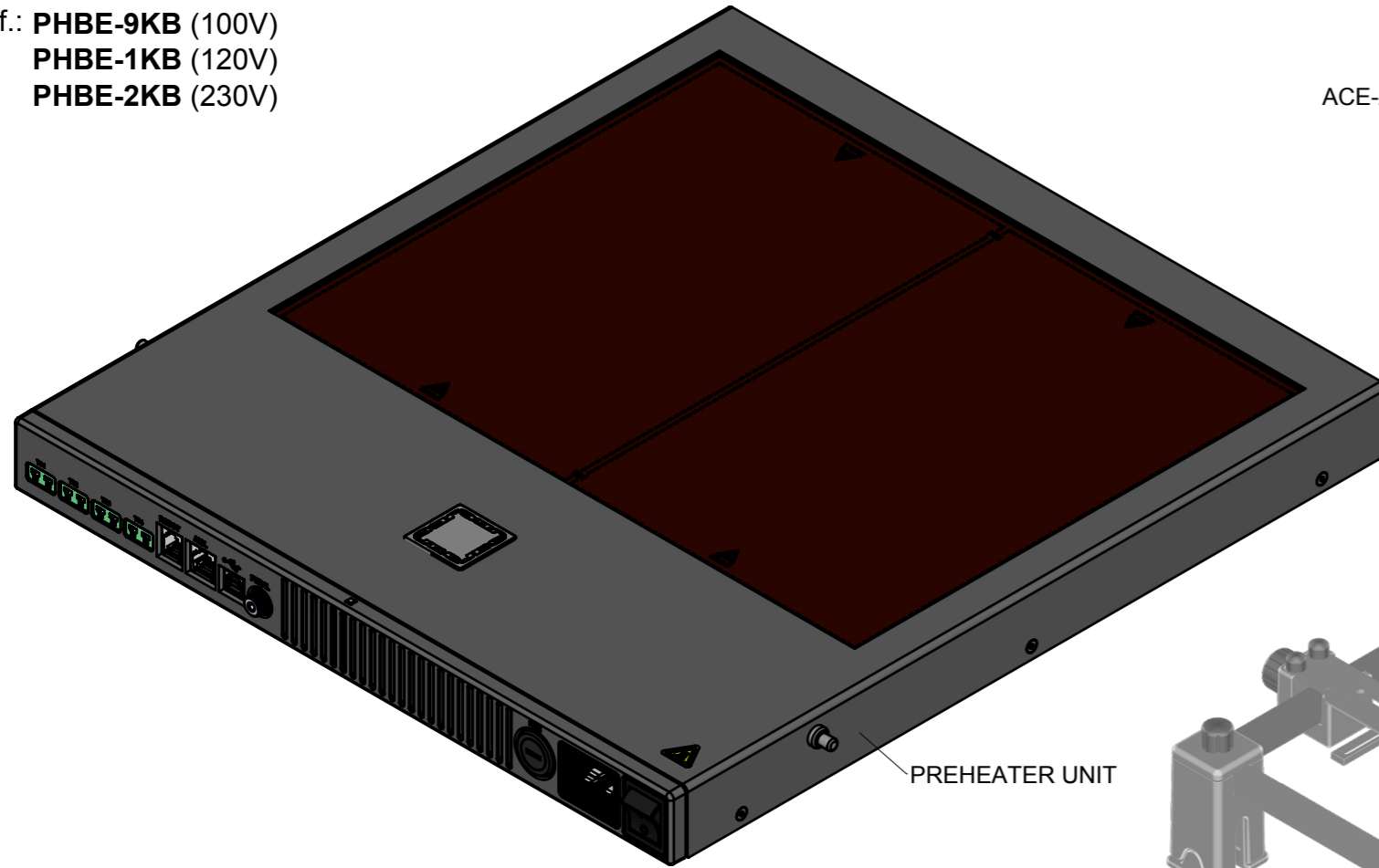
Preheater Set for PCBs up to 36 x 28 cm / 14 x 11"

Ref.: **PHBE-9KB** (100V)

**PHBE-1KB** (120V)

**PHBE-2KB** (230V)

ACE-A



PREHEATER UNIT

## SPARE PARTS

### PREHEATER UNIT:

-CIRCUIT (100V):	0027667
-CIRCUIT (120V):	0027666
-CIRCUIT (230V):	0027665

PHBE-9KB	100V	FUSE	T-20A
PHBE-1KB	120V	FUSE	T-20A
PHBE-2KB	230V	FUSE	T-10A

0013754



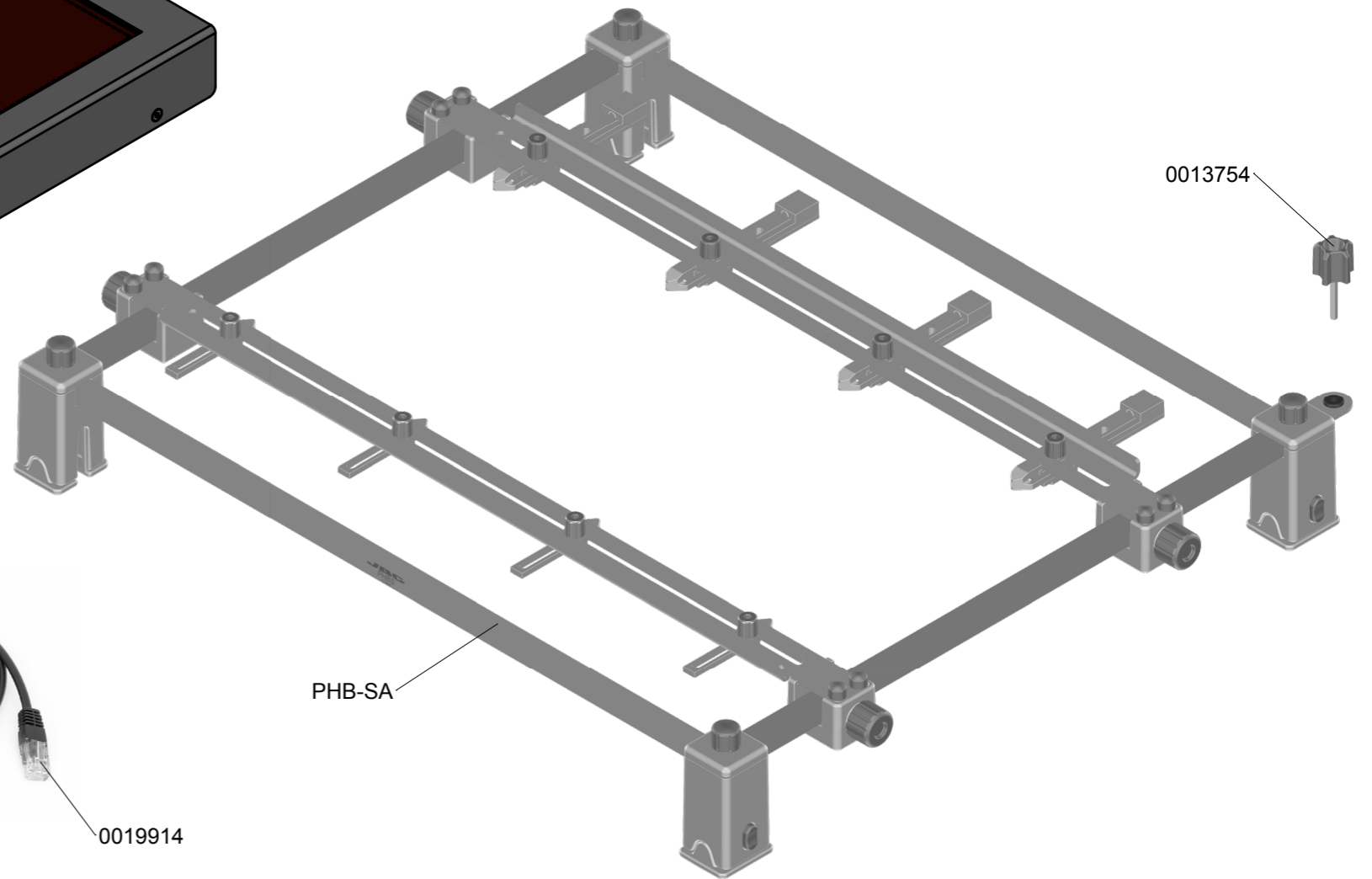
PH217



PH218 (x2)



0019914



PHB-SA