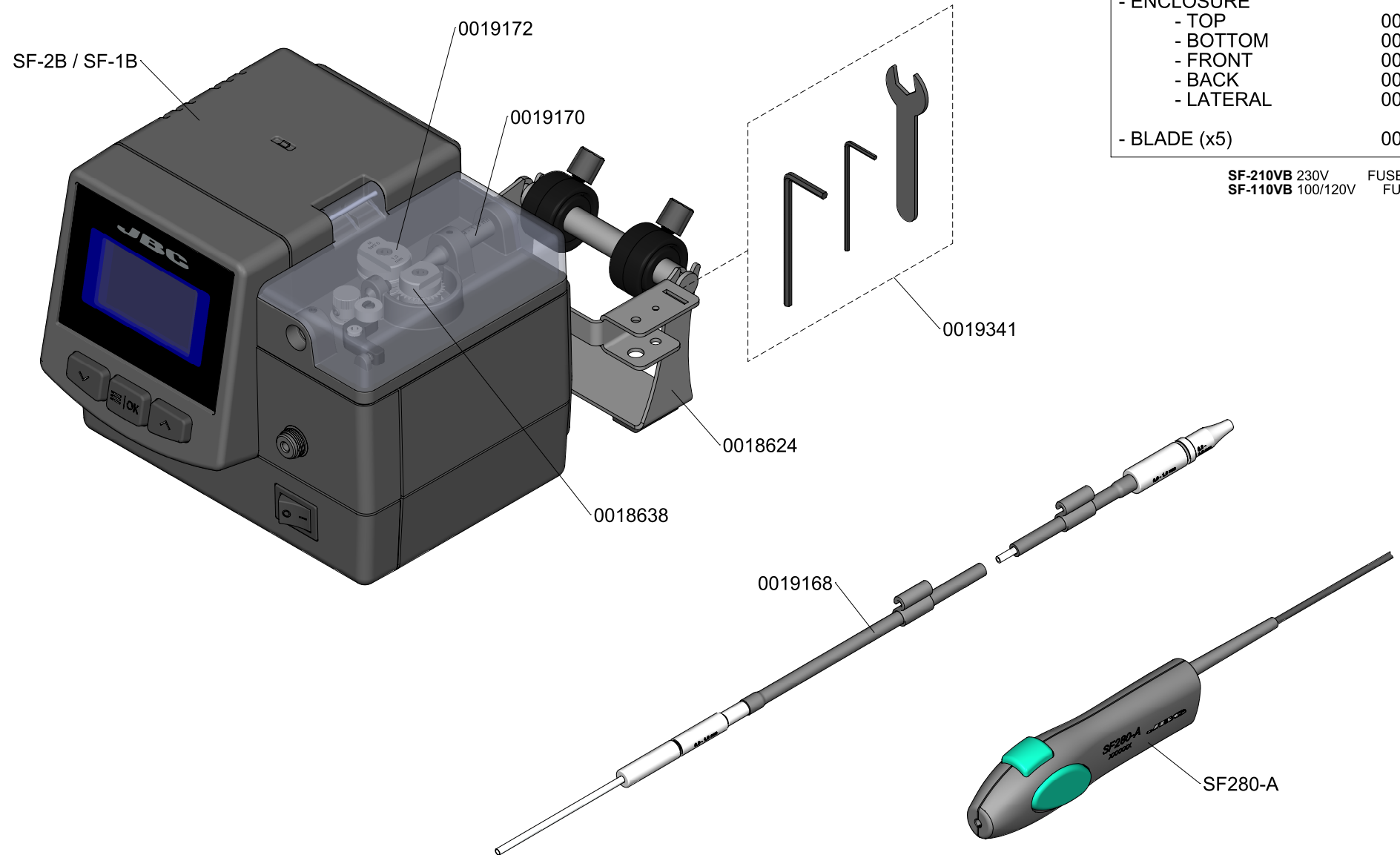


SF-210VB 230V
SF-110VB 100/120V
 AUTOMATIC SOLDER FEEDER



SPARE PARTS	
SF-2B / SF-1B:	
- CIRCUITS:	
- SF-2B	0021720
- SF-1B	0021721
- ENCLOSURE	
- TOP	0018021
- BOTTOM	0018019
- FRONT	0021835
- BACK	0018022
- LATERAL	0018023
- BLADE (x5)	0021555

SF-210VB 230V FUSE T-0,125A
 SF-110VB 100/120V FUSE T-0,2A