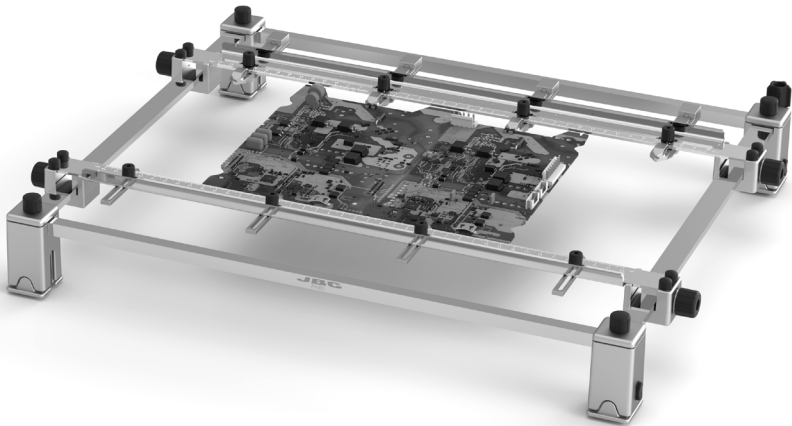


JBC

www.jbctools.com

INSTRUCTION MANUAL



PHBS

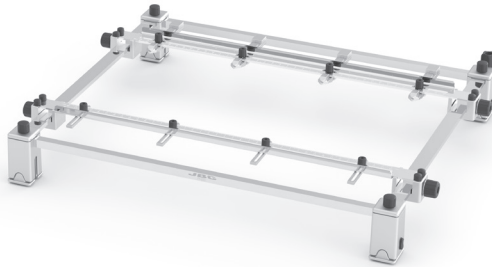
Support for PCBs
up to 36x28cm/14x11"

This manual corresponds to the following reference:

PHB-SA

Packing List

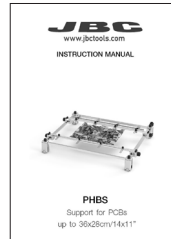
The following items are included:



PHBS Support 1 unit

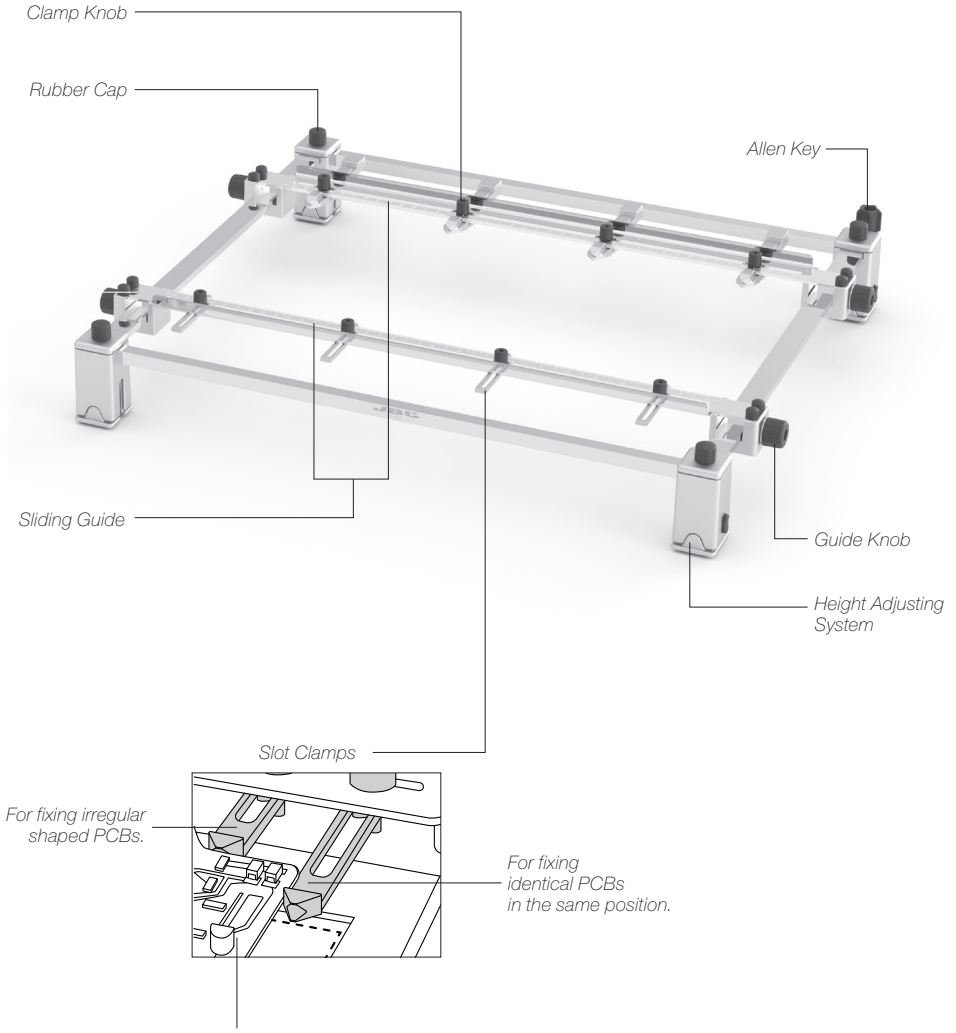


Allen key 1 unit
Ref. 0013754



Manual 1 unit
Ref. 0026995

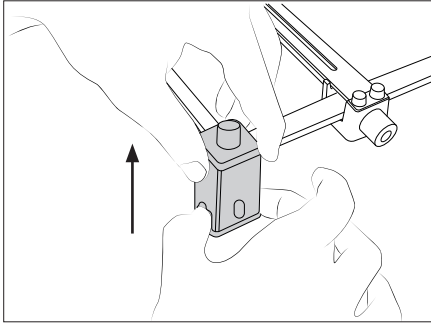
Features and Connections



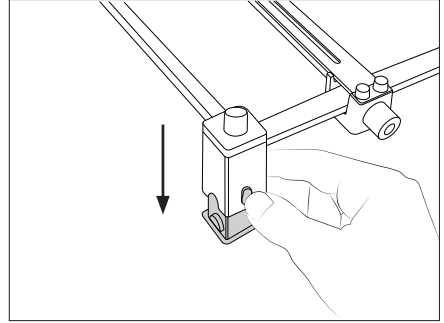
Max. PCB dimension (between clamps):
36x28 cm / 14x11 in, Thickness 6 mm / 0.236 in

Height Adjustment

The support allows changing the height between the PCB and the preheater heating area. It can be chosen between 3 positions for working height adjustment. To change the height, do as follows:



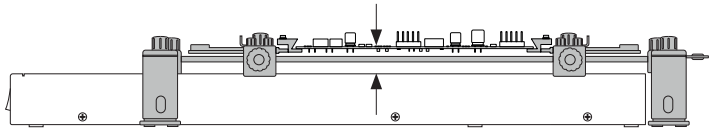
To raise the support, hold the base and pull up.



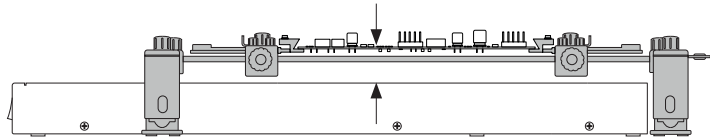
To lower the support, press the button and move down.

Choose one of the **3 positions** to suit your working needs.

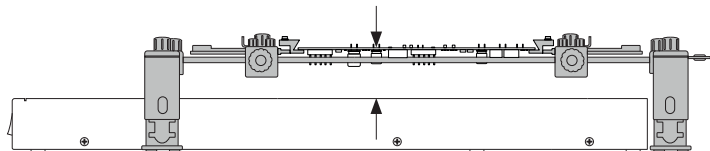
Low level
28 mm



Medium level
38 mm



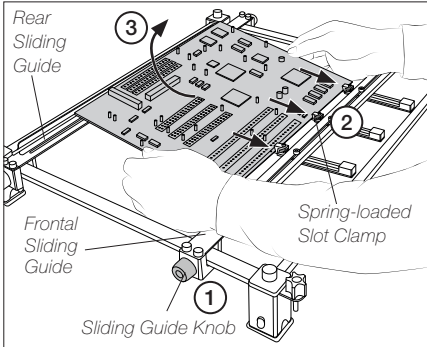
High level
48 mm



Fast PCB Replacement

The support lets you replace PCBs of the same batch fast and easily thanks to the spring-loaded clamps, located at the frontal sliding guide. To do this, there is no need to open the sliding guide knob (1) and nor to move the sliding guides.

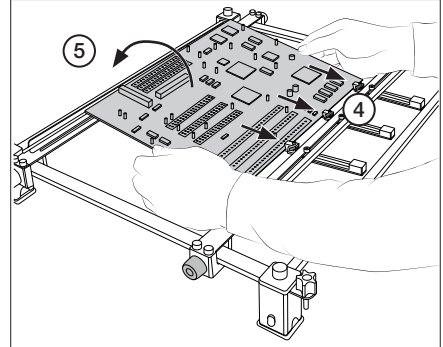
Removing the PCB



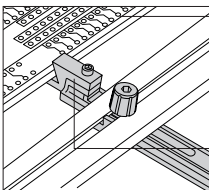
Push the PCB towards you and against the spring-loaded slot clamps (2).

Then remove the opposite side of the PCB from the clamps on the rear sliding guide (3).

Placing another PCB



Fit the new PCB into the spring-loaded clamps at the frontal sliding guide, push the PCB towards you (4) to gain enough space to fit the opposite side of the PCB into the clamps on the rear sliding guide (5).



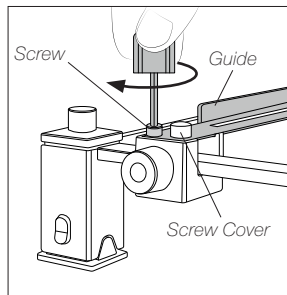
Max. PCB dimension
(between clamps):
36x28 cm / 14x11 in
thickness 6 mm / 0.236 in

Spring-loaded slot
clamps allow PCB
fixation and easy PCB
replacement

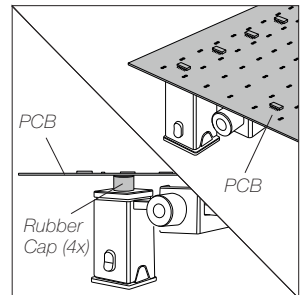
The PCB will be automatically held in place by the force of the spring-loaded clamps.

Reworking large PCBs

Use the 4 rubber caps to place PCBs larger than the support or thicker than 3mm. To ensure that the guides do not collide with the PCB, they must be removed first.



First remove the screw covers and then the screws. Then remove both guides.

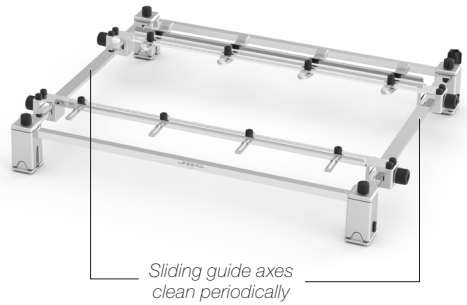


Place the PCB on the 4 rubber caps and the PCB is ready to work.

Maintenance

Before carrying out maintenance or storage, always allow the support to cool down.

- Check periodically that the Support is clean, especially the sliding guide axes.
- Use a damp cloth when cleaning. Alcohol can only be used to clean the metal parts
- Replace any defective or damaged piece. Use original JBC spare parts only.
- Repairs should only be performed by a JBC authorized technical service.



Safety



It is imperative to follow safety guidelines to prevent electric shock, injury, fire or explosion.

- When using the support with a preheater unit, the temperature of accessible surfaces may remain high after the unit is turned off. Handle with care.
- Be careful with the remains of liquid tin. In contact with the skin, it can cause burns.
- Avoid flux coming into contact with skin or eyes to prevent irritation.
- Be careful with the smoke produced when soldering.
- Keep your workplace clean and tidy. Wear appropriate protection glasses and gloves when working to avoid personal harm.
- This appliance can be used by children over the age of eight as well as persons with reduced physical, sensory or mental capabilities or lacking experience provided that they have been given adequate supervision or instruction concerning the use of the appliance and understand the hazards involved. Children must not play with the appliance.
- Maintenance must not be carried out by children unless supervised.

Specifications

PHBS

Support for PCBs up to 36x28cm / 14x11"

Ref. PHB-SA

- | | |
|--|---|
| - Support Dimensions - Low Position:
(L x W x H) | 432 x 514 x 78 mm
17 x 20.2 x 3.1 in |
| - Support Dimensions - High Position:
(L x W x H) | 432 x 514 x 98 mm
17 x 20.2 x 3.9 in |
| - Max. PCB Dimensions (Between Clamps): | 36 x 28 cm / 14 x 11 in
Thickness 6 mm / 0.236 in |
| - Total Net Weight: | 2.80 kg / 6.17 lb |
| - Total Package Dimensions / Weight:
(L x W x H) | 595 x 520 x 180 mm / 4.80kg
23.2 x 20.5 x 7.09 in / 10.58 lb |

Complies with CE standards.

ESD safe.

JBC

Warranty

JBC's 2 year warranty covers this equipment against all manufacturing defects, including the replacement of defective parts and labour.

Warranty does not cover product wear or misuse.

In order for the warranty to be valid, equipment must be returned, postage paid, to the dealer where it was purchased.



This product should not be thrown in the garbage.

In accordance with the European directive 2012/19/EU, electronic equipment at the end of its life must be collected and returned to an authorized recycling facility.



www.jbctools.com