

JBC

The Soldering Co.



Selective Soldering

The best soldering technology, applied to automation

HA Automatic Soldering Set

Provides the highest soldering quality using **Automatic Cartridge Exchanger** to select the most suitable tip for each soldering joint automatically.

HA245 Automatic General Soldering Set for Robot

HA470 Automatic Heavy-Duty Soldering Set for Robot

SFR

Solder Feeder

SFR Solder Feeder is compatible with several solder wire guide kits. It features a wire detector sensor and in case of any transport error the system informs with "blocked up" or "consumed".

In order to establish the communication between SFR Solder Feeder and the Robot (PC or PLC) JBC provides RS232 Communication Protocol. Control parameters such as wire length and dispensing speed are customizable.

CSR

Cartridge Exchanger

The mechanism works with compressed air to fix and release the cartridges automatically. The position of the exchanger can be adjusted by pivoting up to 35° in both directions and can therefore be optimally adapted to the working position.

GSFR

Guide Kit

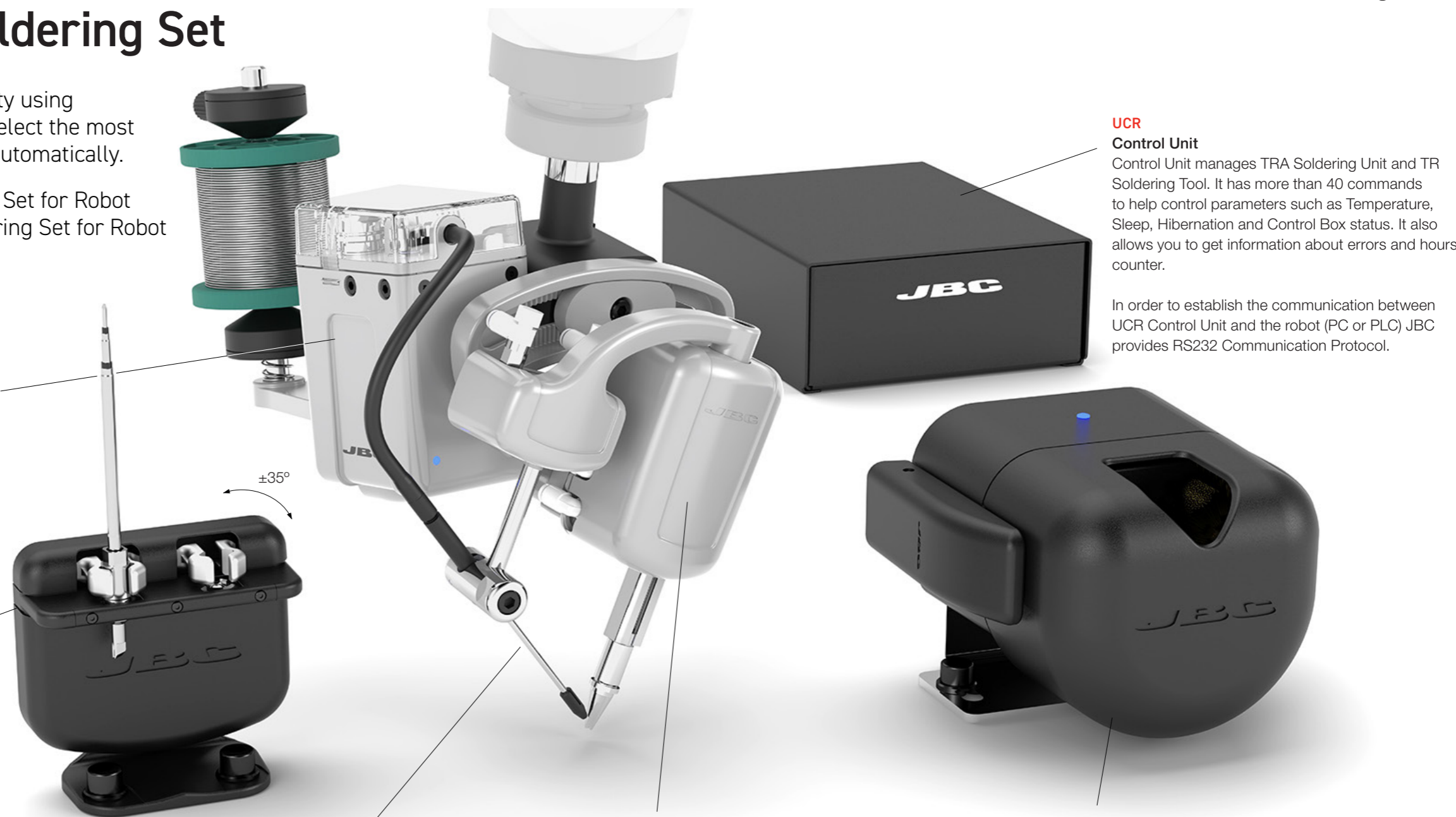
It is available with or without solder wire perforation. The perforation allows better flux flow and outgassing, avoiding solder and flux splashing when soldering. Guide kits for different solder wire diameters are available:

References **without solder wire perforation**

Ref.	Ø Size
GSFR04D03	0.4 mm / 0.015 in
GSFR05D03	0.5 mm / 0.019 in
GSFR06D03	0.6 mm / 0.23 in
GSFR08D03	0.8 mm / 0.031 in
GSFR10D03	1.0 mm / 0.039 in
GSFR12D03	1.1-1.2 mm / 0.043-0.047 in
GSFR15D03	1.3-1.5 mm / 0.051-0.059 in
GSFR16D03	1.6 mm / 0.062 in

References **with solder wire perforation**

Ref.	Ø Size
GSFR08V03	0.8 mm / 0.031 in
GSFR10V03	1.0 mm / 0.039 in
GSFR12V03	1.2 mm / 0.047 in
GSFR15V03	1.5 mm / 0.059 in
GSFR16V03	1.6 mm / 0.062 in



UCR

Control Unit

Control Unit manages TRA Soldering Unit and TR Soldering Tool. It has more than 40 commands to help control parameters such as Temperature, Sleep, Hibernation and Control Box status. It also allows you to get information about errors and hours counter.

In order to establish the communication between UCR Control Unit and the robot (PC or PLC) JBC provides RS232 Communication Protocol.

TRA

Automatic Soldering Tool

TRA Soldering Tool, in combination with CSR Cartridge Exchanger, allows the soldering robot to use different tip shapes to achieve the highest quality on each soldering point.

TRA mechanism is actuated by compressed air and this allows a fast and automatic cartridge exchange when cartridges are worn out or when different cartridge geometries are used in the same soldering process.

Nozzle Actuator movement:

Dispensing Nozzle Actuator allows an up to 90° dispensing tube movement into and away from the feeding position to facilitate tip cleaning with CLMRP Tip Cleaner.

CLMRP

Tip Cleaner with Fiber Brushes

CLMRP Tip Cleaner features a large capacity tank with easy extraction and a large opening for easy tip access.

The position of the stand can be adjusted by pivoting up to 35° in both directions and can therefore be optimally adapted to the working position.

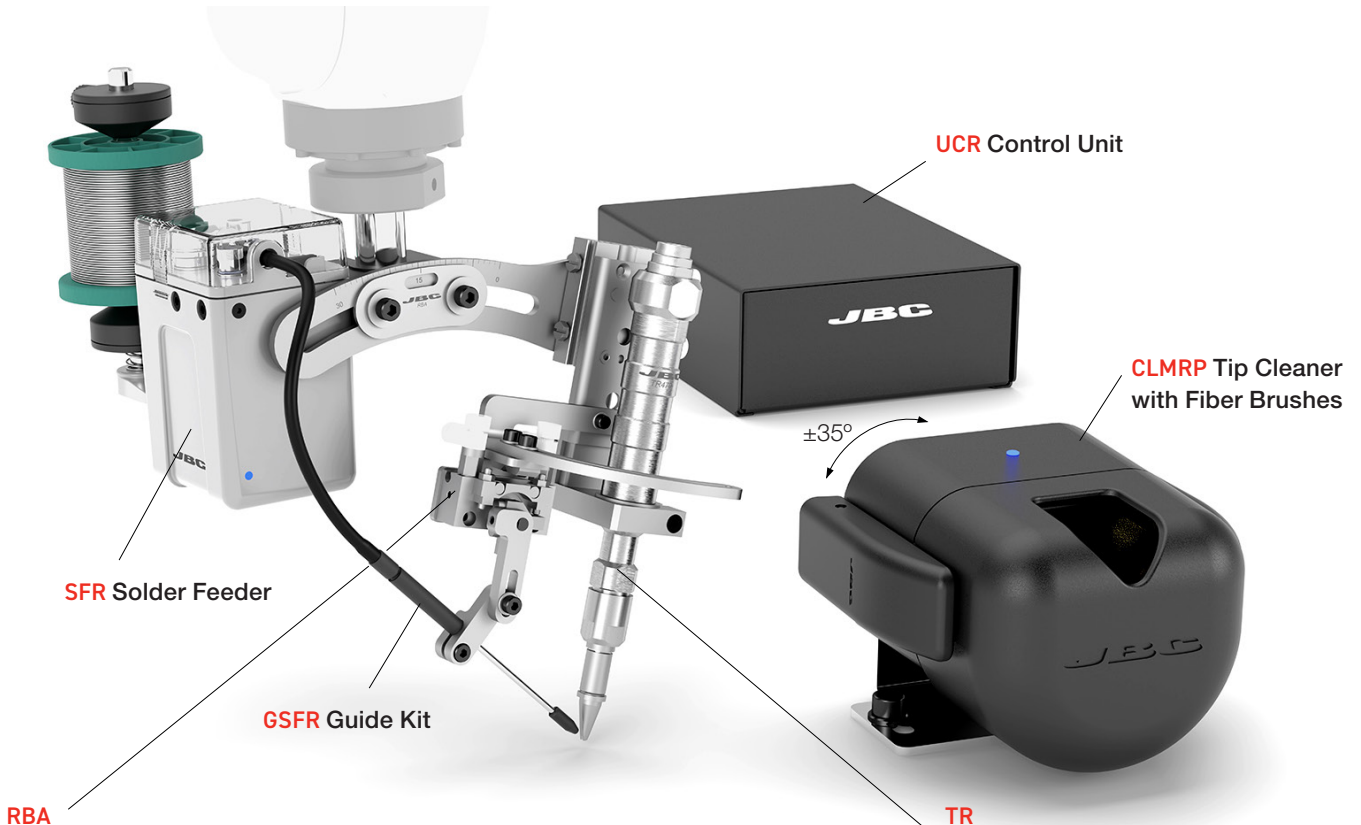
It comes with 2 easily-exchangeable CL2008 Fiber Brushes. Different brushes are available to suit your needs.

HM Soldering Set

Includes all the devices needed to reach the highest soldering quality in automated processes. **The cartridge is exchanged manually.**

HM245 General Soldering Set for Robot

HM470 Heavy-Duty Soldering Set for Robot



RBA
Soldering Head

RBA has been designed to be used in automated soldering processes and allows two independent automatic movements through pneumatic actuators:

Lifting Unit movement:

Its integrated pneumatic Lifting Unit enables fast Z-axis movement into and away from the soldering position. Lifting Unit includes a stroke system with a 5mm spring, which, when activated, softens possible collisions while soldering.

Nozzle Actuator movement:

Dispensing Nozzle Actuator allows an up to 90° dispensing tube movement into and away from feeding position to facilitate tip cleaning with CLMRP Tip Cleaner.

TR
Soldering Tool

It comes with a robust design and features quick cartridge extraction. A precise positioning system allows centering the cartridge perfectly in the soldering tool. It is controlled by UCR245 Control Unit.

See full Cartridge Range on our website.

JBC also offers the possibility to manufacture your special tip geometry.