



HDEK

Heavy Duty Rework Station

This Plug & Play Guide corresponds to the following references:

Ref.

- HDE-9KE (100 V)
- HDE-1KE (120 V)
- HDE-2KE (230 V)

Station

More Information at the
product web page



Video Guide

Watch the
product video



Packing List

The following items are included according purchased station reference:



HDE
Heavy Duty Control Unit 2 units
 Ref. HDE-9UD (100 V)
 Ref. HDE-1UD (120 V)
 Ref. HDE-2UD (230 V)

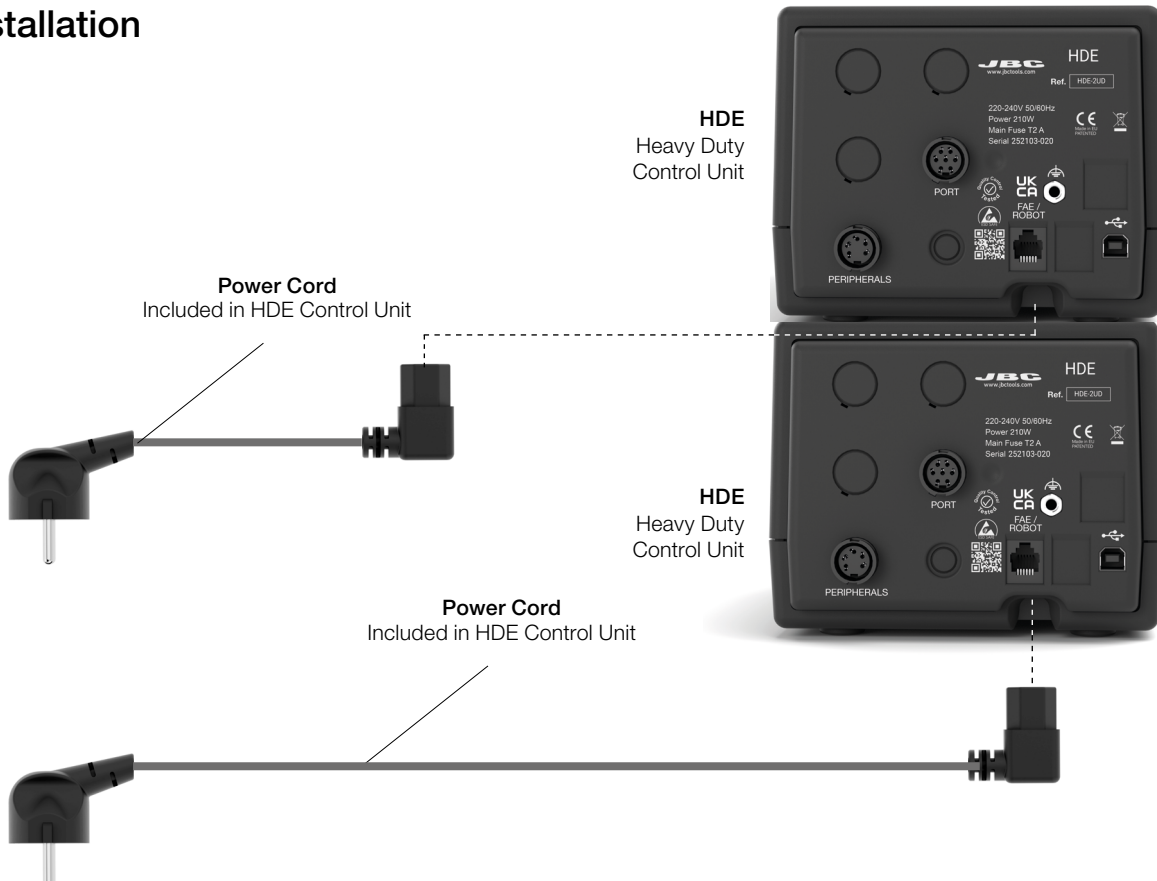
HDTS
Stand for HT470 1 unit
 Ref. HDT-SF



HT470
Heavy Duty Thermal Tweezers 1 unit
 Ref. HT470-A (*cartridges not included*)

SCH
Cartridge Holder 1 unit
 Ref. SCH-A

Installation



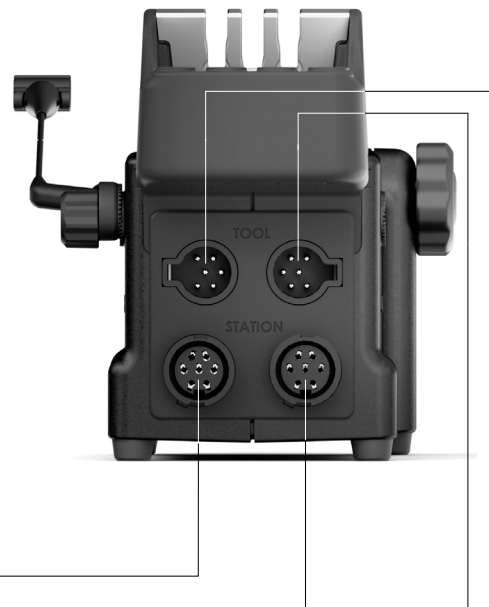
Installation

HDE
Heavy Duty Control Units



Stand Cable
Ref. 0024227

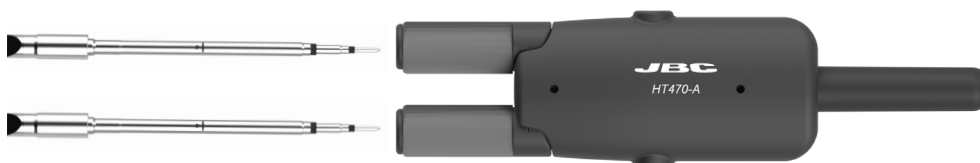
HDTS
Stand for HT470



Stand Cable
Ref. 0024227

C470 Cartridges
(not included)

HT470
Heavy Duty Thermal Tweezers



Specifications

HDE-K

Heavy Duty Rework Station

Ref. **HDE-9KE** (100 V)

Ref. **HDE-1KE** (120 V)

Ref. **HDE-2KE** (230 V)

- Package Dimensions / Weight: 585 x 512 x 220 mm / 9.68 kg
(L x H x W) 23.03 x 20.16 x 8.66 in / 21.33 lb

Complies with CE standards.
ESD safe.

JBC

Warranty

Get 2 year JBC warranty by registering here:
<https://www.jbctools.com/productregistration/>
within 30 days of purchase.



This product should not be thrown in the garbage.

In accordance with the European directive 2012/19/EU, electronic equipment at the end of its life must be collected and returned to an authorized recycling facility.