



DMPSE

4-Tool Rework Station

This Plug & Play Guide corresponds to the following references:

Ref.

DMPSE-9QB (100 V)
DMPSE-1QB (120 V)
DMPSE-2QB (230 V)

Station

More Information at the
product web page



Packing List

The following items are included according to purchased station reference:



DME
4-Tool Control Unit 1 unit
 Ref. DME-9A (100 V)
 Ref. DME-1A (120 V)
 Ref. DME-2A (230 V)

MSE
Electric Desoldering Module 1 unit
 Ref. MSE-A



T210
Precision Handle 1 unit
 Ref. T210-A

T245
General Purpose Handle 1 unit
 Ref. T245-A



AM120
Adjustable Micro Tweezers 1 unit
 Ref. AM120-A

DR560
Desoldering Iron 1 unit
 Ref. DR560-A



ADS
Stand for T210 & T245 Handles 2 units
Ref. AD-SF



AMS
Stand for PA120 &
AM120 Micro Tweezers 1 unit
Ref. AM-SB



DRS
Stand for DR560 1 unit
Ref. DR-SF



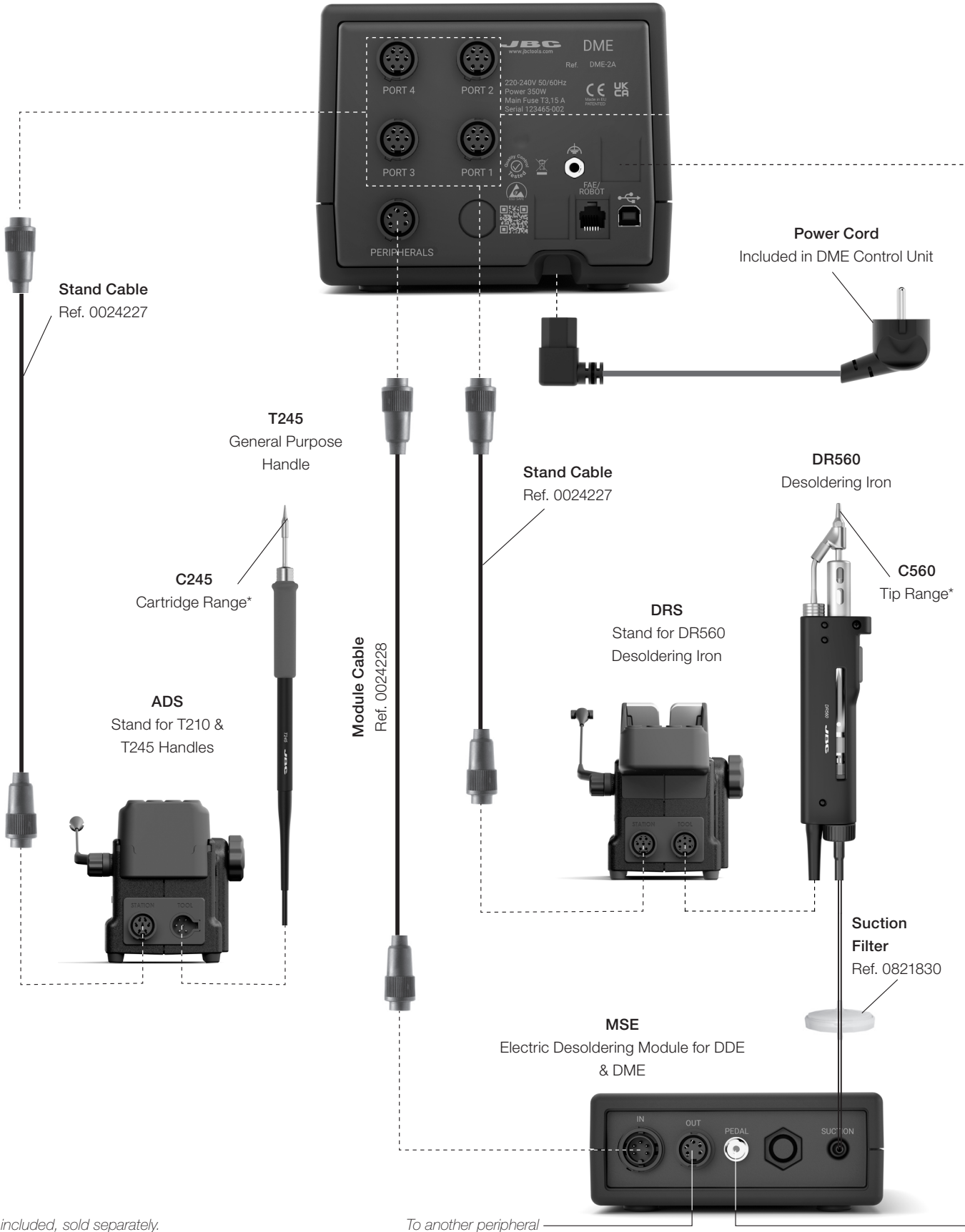
P405
Pedal 1 unit
Ref. P-405



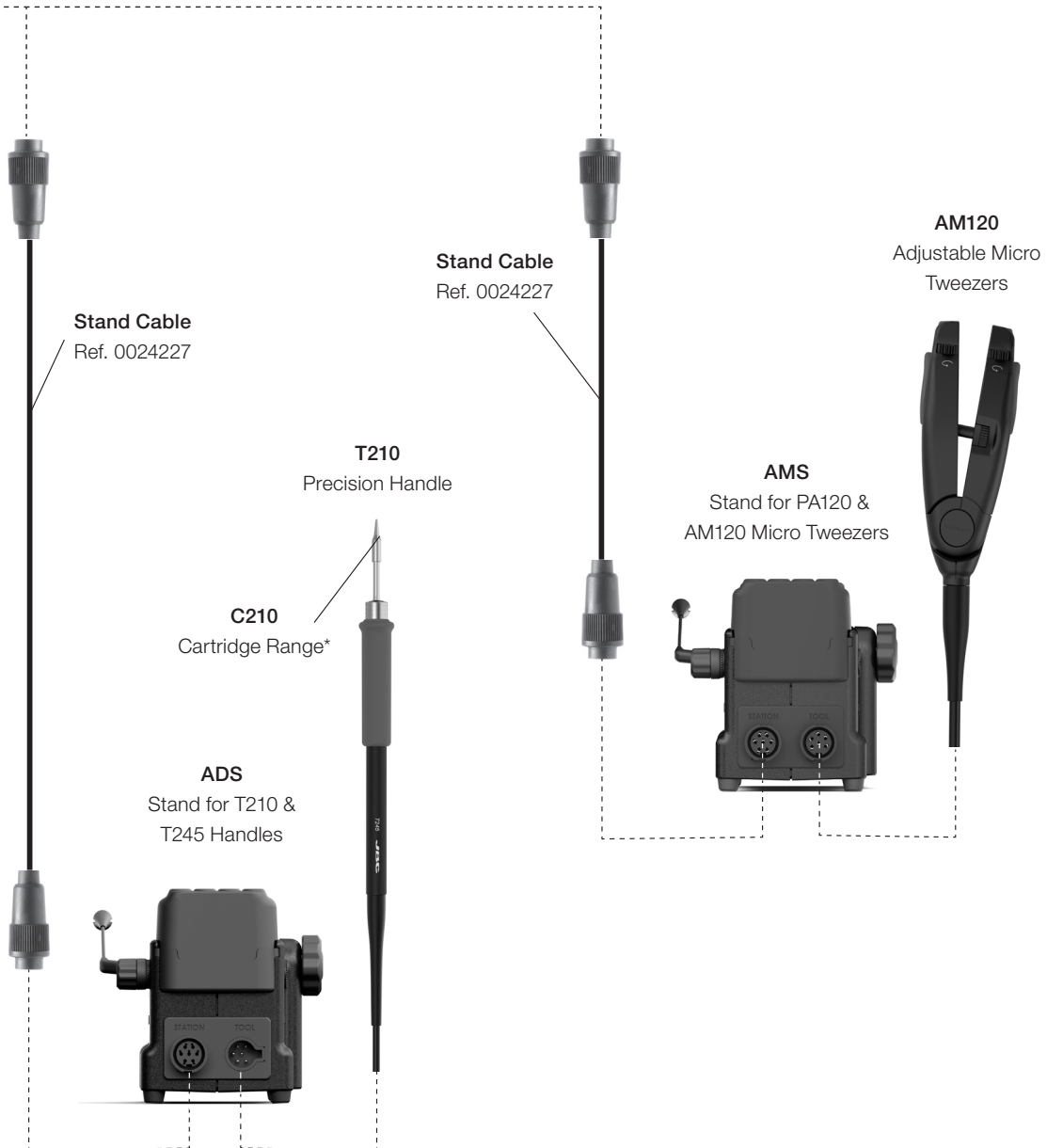
SCH
Cartridge Holder 1 unit
Ref. SCH-A

Installation

DME 4-Tool Control Unit



* Not included, sold separately.



P405
Pedal



* Not included, sold separately.

Specifications

DMPSE

4-Tool Rework Station

Ref. **DMPSE-9QB** (100 V)

Ref. **DMPSE-1QB** (120 V)

Ref. **DMPSE-2QB** (230 V)

- Package Dimensions / Weight: 495 x 415 x 395 mm / 17.91 kg
(L x H x W) 19.49 x 16.34 x 15.55 in / 39.48 lb

Complies with CE standards.

ESD safe.

JBC

Warranty

Get 2 year JBC warranty by registering here:
<https://www.jbctools.com/productregistration/>
within 30 days of purchase.



This product should not be thrown in the garbage.

In accordance with the European directive 2012/19/EU, electronic equipment at the end of its life must be collected and returned to an authorized recycling facility.

www.jbctools.com

0032039-200723