

TESE

Precision Hot Air Station Without Extractor Desk

Ref.: **TESE-9QB** 100V
TESE-1QB 120V
TESE-2QB 230V

SPARE PARTS	
JTSE CONTROL UNIT:	
-ENCLOSURES:	
·TOP	0019028
·BOTTOM	0013486
·FRONT	0026199
·BACK	0021065
FOR REF. JTSE-1UA/JTSE-9UA:	
-CIRCUIT	0024361
-SUCTION PUMP	0026338
-HOT AIR PUMP	0018769
FOR REF. JTSE-2UA:	
-CIRCUIT	0024360
-SUCTION PUMP	0026337
-HOT AIR PUMP	0018769

Ref.: **JTSE-9UA** 100V FUSE T-8A
JTSE-1UA 120V FUSE T-8A
JTSE-2UA 230V FUSE T-4A

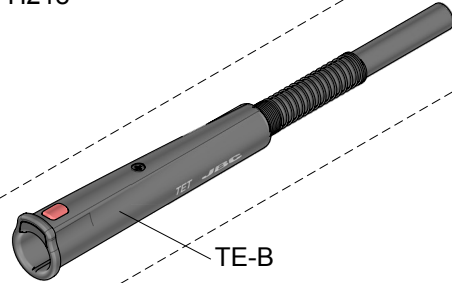
JTSE CONTROL UNIT



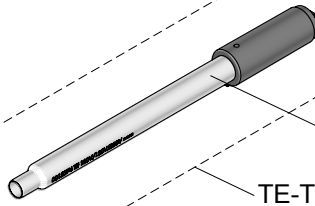
PH217



PH218

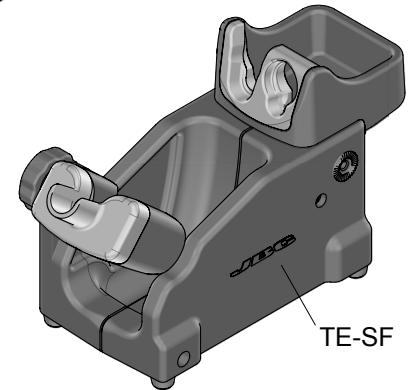


TE-B

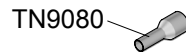


TE-TB

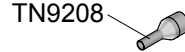
0012374



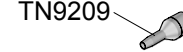
TE-SF



TN9080



TN9208



TN9209