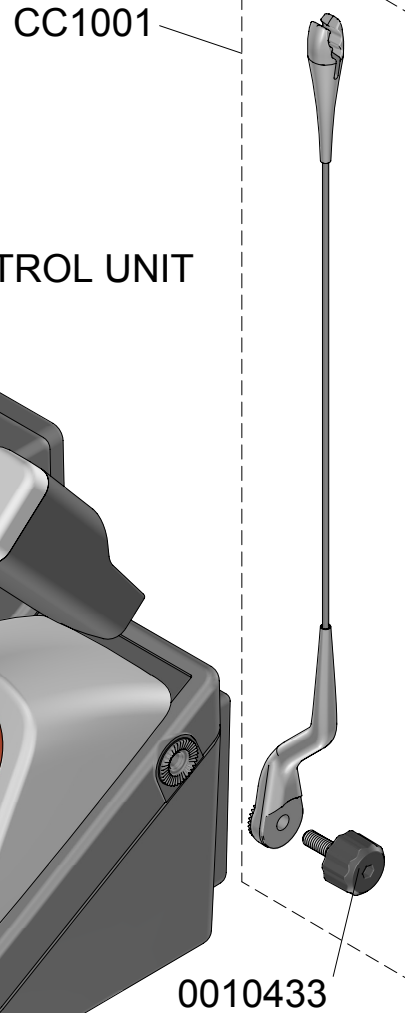


CDB

Soldering Station

Ref.: **CD-9BQF** 100V
CD-1BQF 120V
CD-2BQF 230V



SPARE PARTS	
CONTROL UNIT:	
-CIRCUIT	0025013
-ENCLOSURE	0023639
-TOOL HOLDER	0012994
-SPLASHGUARD	0028379
-ANTISPLASH RUBBER	0027882

Ref.: **CD-9BQF** 100V FUSE T-2A
Ref.: **CD-1BQF** 120V FUSE T-2A
Ref.: **CD-2BQF** 230V FUSE T-1A
EARTHING FUSE F1.25A

