

JBC

www.jbctools.com

INSTRUCTION MANUAL



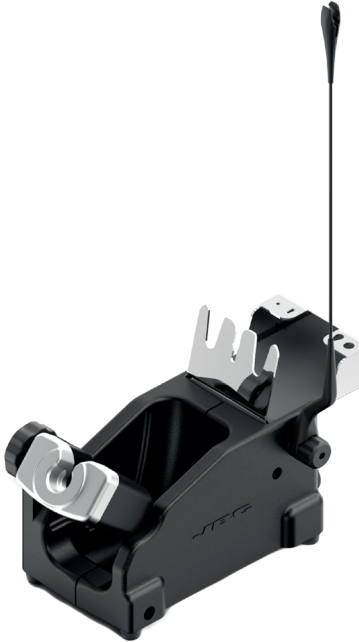
Stands for Handles

Ref. AD-SE / DN-SE

Packing List

Stand 1 unit
Ref. DN-SE

Stand 1 unit
Ref. AD-SE



The following items are included in each stand:

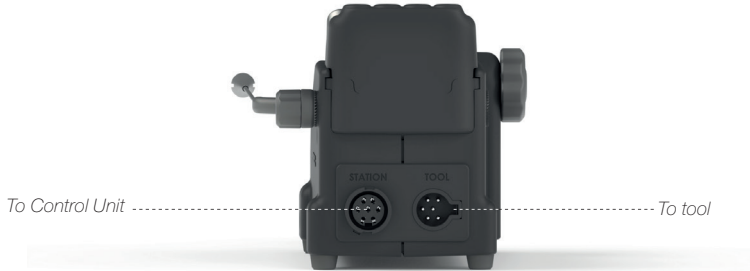
Stand Cable 1m..... 1 unit
Ref. 0011283

Manual 1 unit
Ref. 0021639



Features

Stand

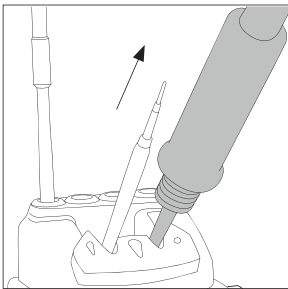


Quick Tip Changer

Ref. AD-SE

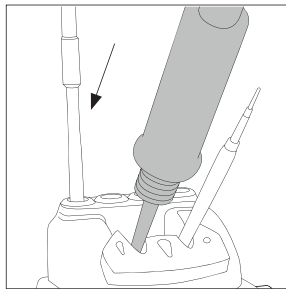
Save time and change cartridges safely without switching the station off. Be careful, the cartridges may be hot, when placing them in the storage rack.

1. Removing



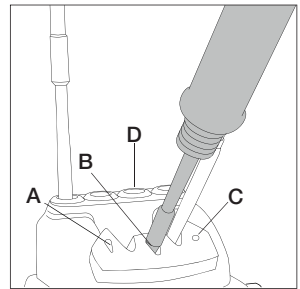
Place the cartridge in the extractor and pull the handle to remove it.

2. Inserting



Place the handle on top of the new cartridge and press down.

3. Fixing



Use the holes to fix the cartridge as follows:

- A.** For curved C210
- B.** For C245
- C.** For straight C210
- D.** cartridge Storage rack

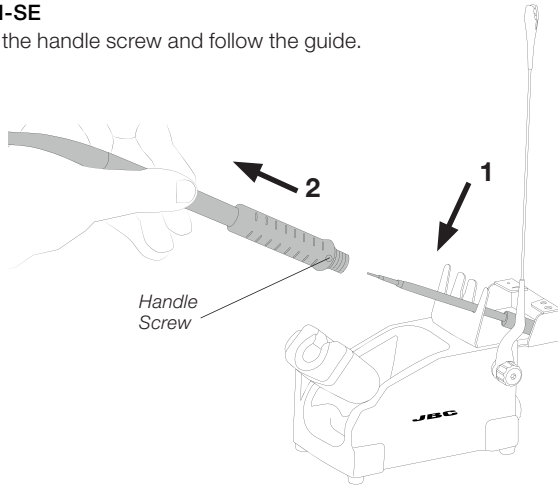
Important: It is essential to insert the cartridge as far as the mark for a proper connection.



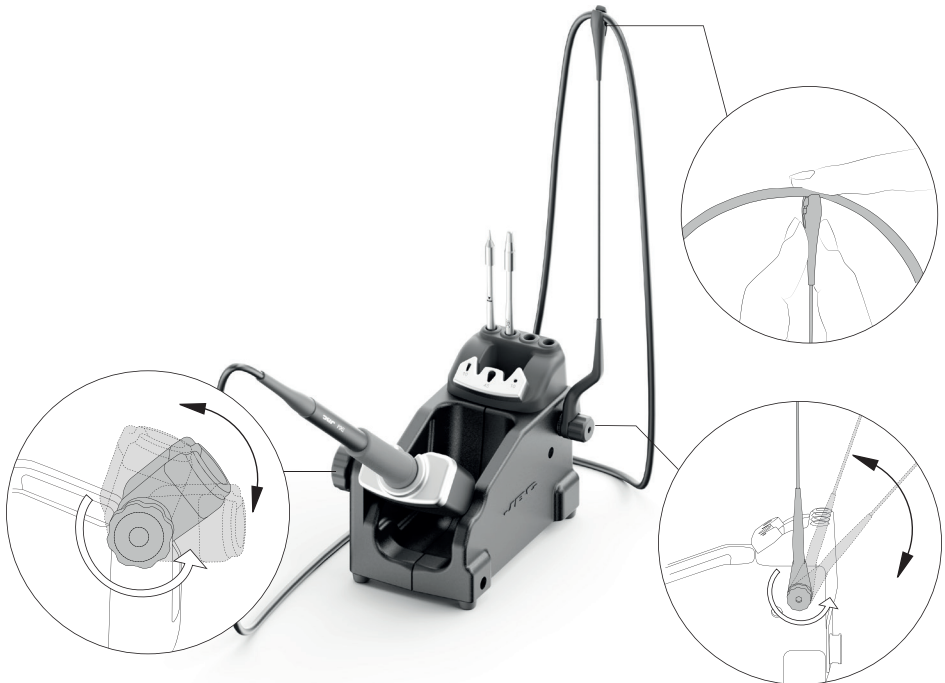
Extractor

Ref. DN-SE

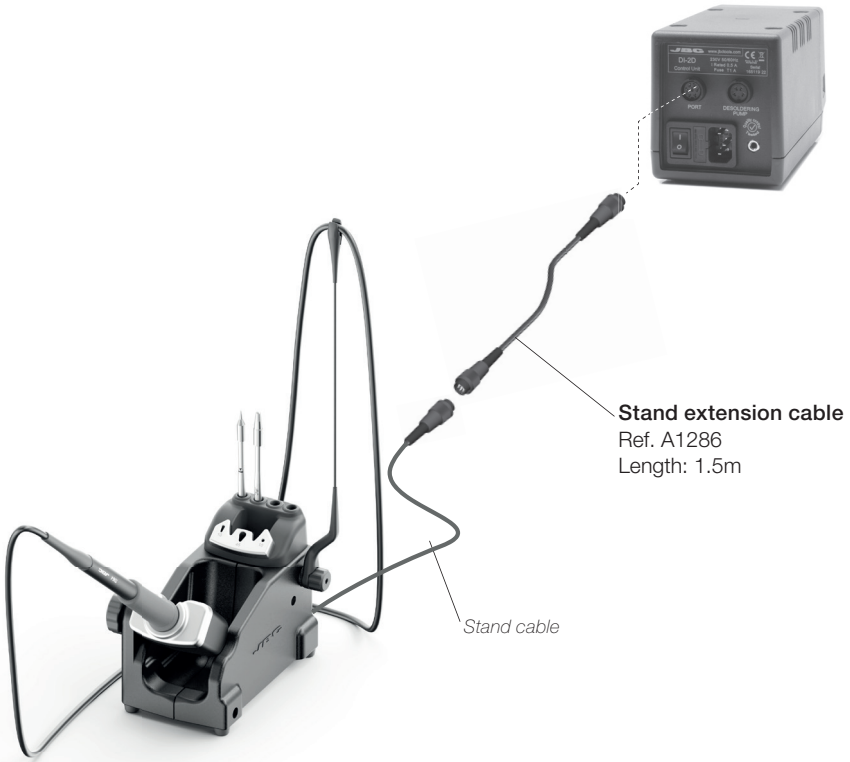
Loosen the handle screw and follow the guide.



Assembly: Cable Collector and Adjustable Tool Holder



Accessories



Stand extension cable

Ref. A1286

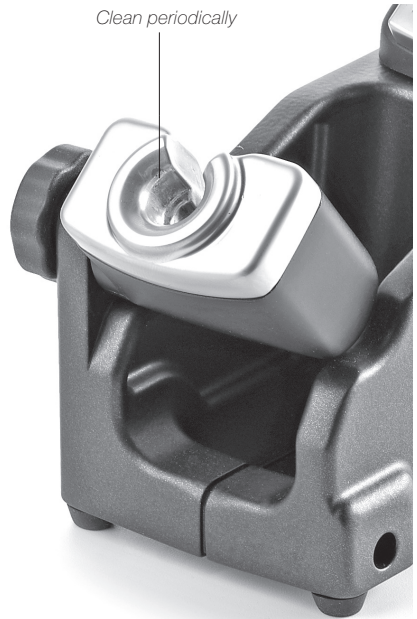
Length: 1.5m

Stand cable

Maintenance

Before carrying out maintenance or storage, always unplug the stand from the station and the tool.

- Use a damp cloth to clean the stand. Alcohol can be used only when cleaning the metal parts.
- Check periodically that the metal parts of the tool/stand are clean so that the station can check the tool's status.
- Periodically check all cables and tube connections.
- Replace any defective or damaged parts. Use original JBC spare parts only.
- Repairs should only be performed by a JBC authorized technical service.



Safety



It is imperative to follow safety guidelines to prevent electric shock, injury, fire or explosion.

- Do not use the stands for any purpose other than soldering or rework.
- The power cord must be plugged into approved bases. Be sure that it is properly grounded before use. When unplugging it, hold the plug, not the wire.
- The tool should be placed in the stand when is not in use in order to activate the sleep mode. The soldering tip, the metal part of the tool and the stand may still be hot even when the station is turned off. Handle with care, including when adjusting the stand position.
- Avoid the contact of flux with skin or eyes to prevent irritation.
- Be careful with the fumes produced when soldering.
- Keep your workplace clean and tidy. Wear appropriate protection glasses and gloves when working to avoid personal harm.
- Utmost care must be taken with liquid tin waste which can cause burns.
- This appliance can be used by children over the age of eight and also persons with reduced physical, sensory or mental capabilities or lack of experience provided that they have been given adequate supervision or instruction concerning use of the appliance and understand the hazards involved. Children must not play with the appliance.
- Maintenance must not be carried out by children unless supervised.

Specifications

AD-SE

- Includes Sleep Mode
- Net Weight 1.18 kg (2.61 lb)
- Package Weight 1.57 kg (3.46 lb)
- Package Dimensions 342 x 155 x 120 mm (13.46 x 6.10 x 4.72 in)

DN-SE

- Includes Sleep Mode
- Net Weight 1.32 kg (2.93 lb)
- Package Weight 1.61 kg (3.56 lb)
- Package Dimensions 342 x 155 x 120 mm (13.46 x 6.10 x 4.72 in)

Complies with CE standards
ESD protected



Warranty

JBC's 2 year warranty covers this equipment against all manufacturing defects, including the replacement of defective parts and labour.

Warranty does not cover product wear or misuse.

In order for the warranty to be valid, equipment must be returned, postage paid, to the dealer where it was purchased.

Get 1 extra year JBC warranty by registering here:
<https://www.jbctools.com/productregistration/>
within 30 days of purchase.



This product should not be thrown in the garbage.

In accordance with the European directive 2012/19/EU, electronic equipment at the end of its life must be collected and returned to an authorized recycling facility.

