

JBC

www.jbctools.com

INSTRUCTION MANUAL



Automatic Solder Feeder

Ref. SF-110VB/SF-210VB

Packing List

The following items should be included:

SF Control Unit 1 unit
 Ref. SF-1B (100-120V)
 SF-2B (230V)



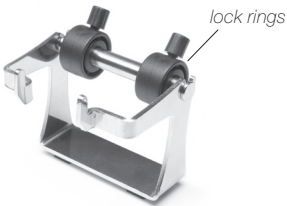
Solder Feed Handle 1 unit
 Ref. SF280-A



Guide Set 1 unit
 Ref. GSF10V-B



Reel support 1 unit
 Ref. 0019301(x1)
 0018033 (x1)
 0003412 (x2)



Spanner 1 unit
 Ref. 0017631



Allen key Ø 1,5 1 unit
 Ref. 0741610



Allen key Ø 2,5 1 unit
 Ref. 0012574



Power cable 1 unit
 Ref. 0009417 (100V/120V)
 0009401 (230V)



Manual 1 unit
 Ref. 001633



Features

Control Unit

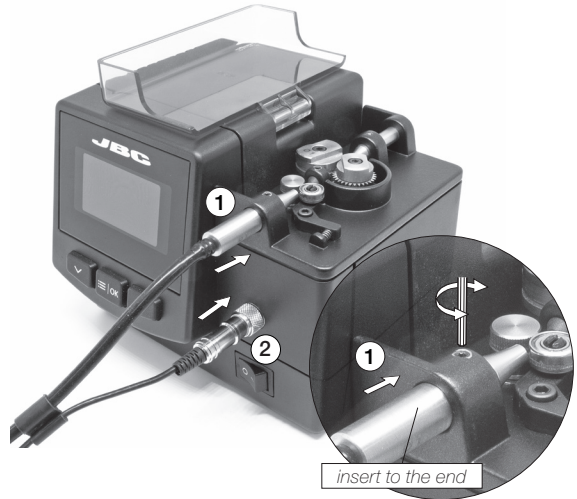
Solder Feed Handle Ref. SF280-A



Tool assembly

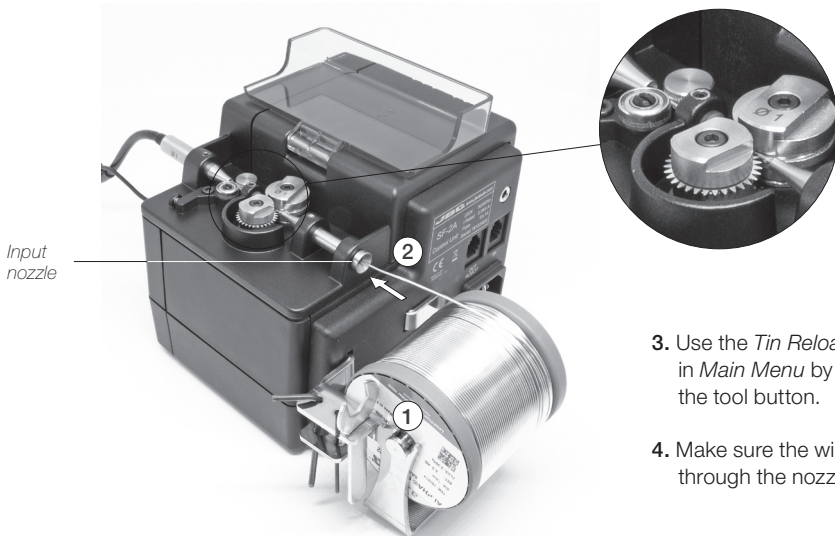
Connect the tool to the control unit.

1. Push the guide tube to the end and tighten the screw.
2. Connect the jack.



Load the solder wire

1. Put the reel into its support.
2. Feed the wire into the input nozzle (2) until it reaches the wheels.

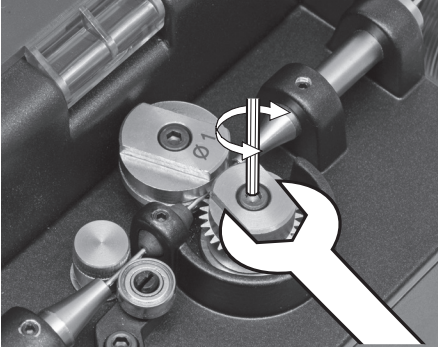


3. Use the *Tin Reload Process* in *Main Menu* by pressing the tool button.
4. Make sure the wire passes through the nozzle.

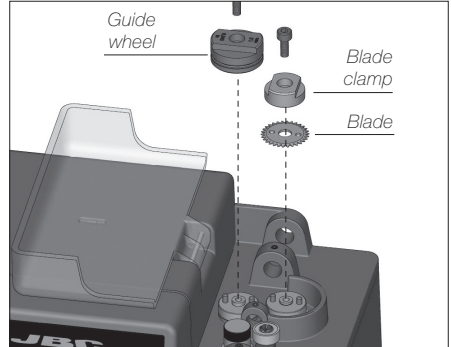
Changing the wheels and the blade

For this operation, disconnect the unit.

1. Use the allen key and the spanner to loosen the screws.



2. Replace the guide wheel and the blade for the new ones.

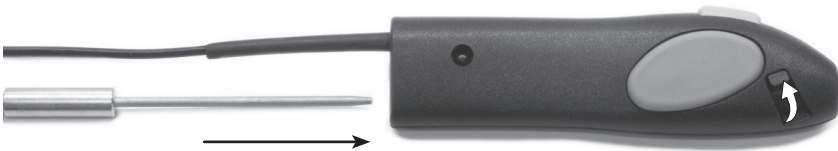


⚠ * Handle with care to avoid any cuts with the blade because it is sharp.

Replacing the guide tube

For this operation, disconnect the tool from the control unit.

1. Open the guide clamp, take off the guide tube and insert the new one.



2. You can easily adjust the length of the tube by opening the tube clamp.



Control Process

Work Screen

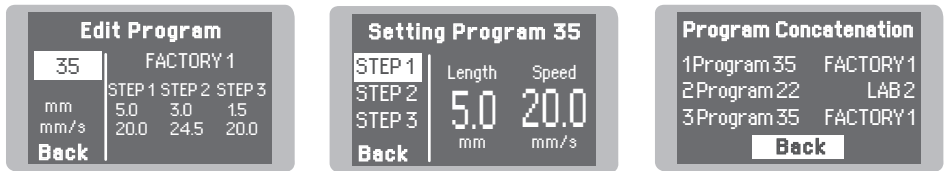
Choose between continuous, discontinuous and program mode:



Program mode

With the SF you can define up to 35 dynamic programs. In each one you can configure up to 3 steps with different length wire and dispensing speed.

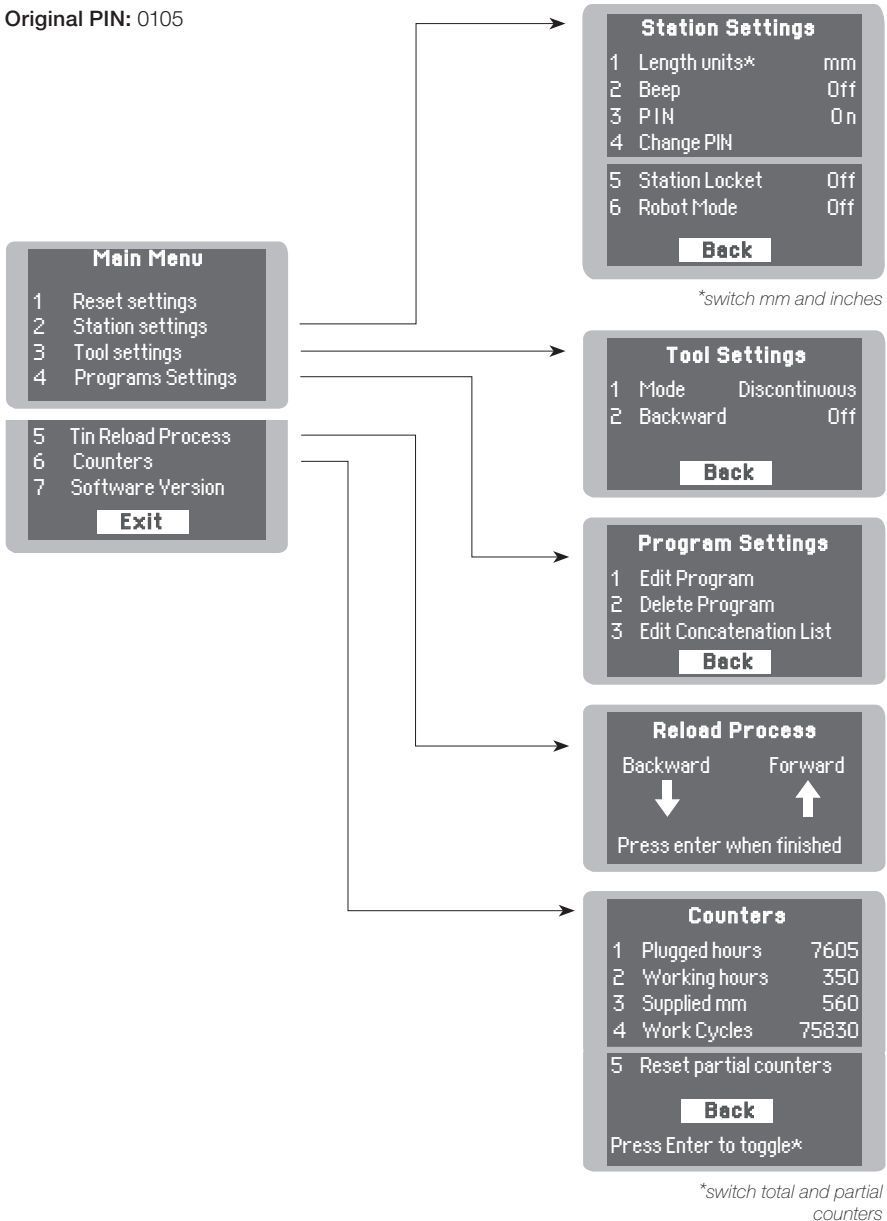
Execute them sequentially and cyclically with the 'Edit Concatenation List' option.



Control Process

Screen Menu

Original PIN: 0105



Accessories

Different **guide sets** are available depending on the solder wire used:



| Solder Wire Ø (mm) | With Solder Wire Perforation | Solder Wire Ø (mm) | Without Solder Wire Perforation |
|--------------------|------------------------------|--------------------|---------------------------------|
| - | - | 0.5-0.6 | GSF05D-B |
| 0.8 | GSF08V-B | 0.7-0.8 | GSF08D-B |
| 1.0 | GSF10V-B | 0.9-1.0 | GSF10D-B |
| 1.5 | GSF15V-B | 1.2-1.5 | GSF15D-B |

Solder Feed Handle Stand

Ref. SF-SE



It prevents the SF280-A Solder Feed Handle from rolling away while working.

Maintenance

Before carrying out maintenance, always allow the equipment to cool down.

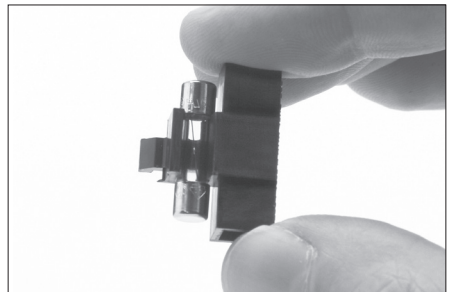
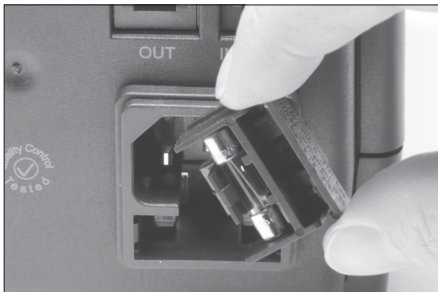
- Clean the station screen with a glass cleaner or a damp cloth.
- Use a damp cloth to clean the casing and the tool. Alcohol can only be used to clean the metal parts.
- Periodically check all cables and tubes.



- Replace a blown fuse as follows:

1. Pull off the fuse holder and remove the fuse. If necessary use a tool to lever it off.

2. Insert the new fuse into the fuse holder and return it to the station.



- Replace any defective or damaged parts. Use original JBC spare parts only.
- Repairs should only be performed by a JBC authorized technical service.

Safety



It is imperative to follow safety guidelines to prevent electric shock, injury, fire or explosion.

- Do not use the units for any purpose other than soldering or rework. Incorrect use may cause fire.
- The power cord must be plugged into approved bases. Make sure that it is properly grounded before use. When unplugging it, hold the plug, not the wire.
- Do not work on electrically live parts.
- The tool should be placed in the stand when not in use. Handle with care, including when adjusting the stand position.
- Do not leave the appliance unattended when it is on.
- Do not cover the ventilation grills. Heat can cause inflammable products to ignite.
- Avoid the contact of flux with skin or eyes to prevent irritation.
- Be careful with the fumes produced while soldering.
- Keep your workplace clean and tidy. Wear appropriate protection glasses and gloves when working to avoid personal harm.
- Utmost care must be taken with liquid tin waste which can cause burns.
- This appliance can be used by children over the age of eight as well as persons with reduced physical, sensory or mental capabilities or lacking experience provided that they have been given adequate supervision or instruction concerning use of the appliance and understand the hazards involved. Children must not play with the appliance.
- Maintenance must not be carried out by children unless supervised.

有害物质含量表

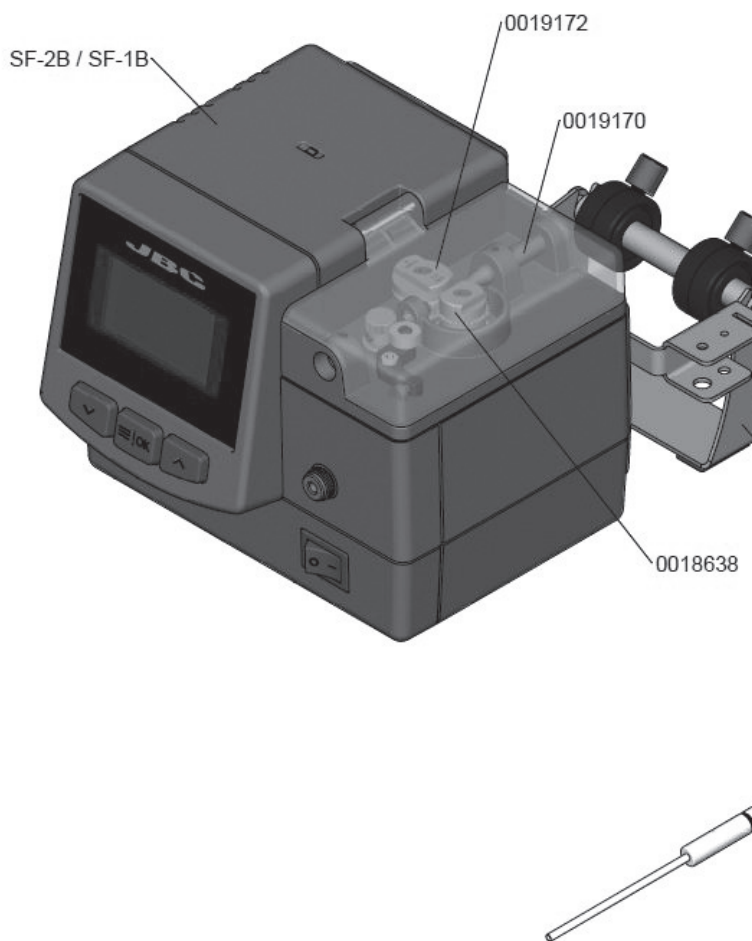
产品中有害物质的名称及含量

| 部件名称 | 有害物质 | | | | | |
|------|-------|-------|-------|-----------------|---------------|-----------------|
| | 铅(Pb) | 汞(Hg) | 镉(Cd) | 六价铬 (Cr(VI)) | 多溴联苯 (PBB) | 多溴二苯醚 (PBDE) |
| 烙铁头 | ○ | ○ | ○ | ○ | ○ | ○ |
| 手柄 | ○ | ○ | ○ | ○ | ○ | ○ |
| 电源线 | ○ | ○ | ○ | ○ | ○ | ○ |
| 主机 | ○ | ○ | ○ | ○ | ○ | ○ |
| 电源插座 | ○ | ○ | ○ | ○ | ○ | ○ |
| 保险丝 | ○ | ○ | ○ | ○ | ○ | ○ |
| 主开关 | ○ | ○ | ○ | ○ | ○ | ○ |
| 电位连接 | X | ○ | ○ | ○ | ○ | ○ |
| 变压器 | ○ | ○ | ○ | ○ | ○ | ○ |
| 线路板 | X | ○ | ○ | ○ | ○ | ○ |

○ 表示该有害物质在该部件所有均质材料中的含量均在GB/T 26572 规定的限量要求以下。
 X 表示该有害物质至少在该部件的某一均质材料中的含量超出GB/T 26572 规定的限量要求。

Exploded View

SF-210VB 230V
SF-110VB 100/120V
AUTOMATIC SOLDER FEEDER

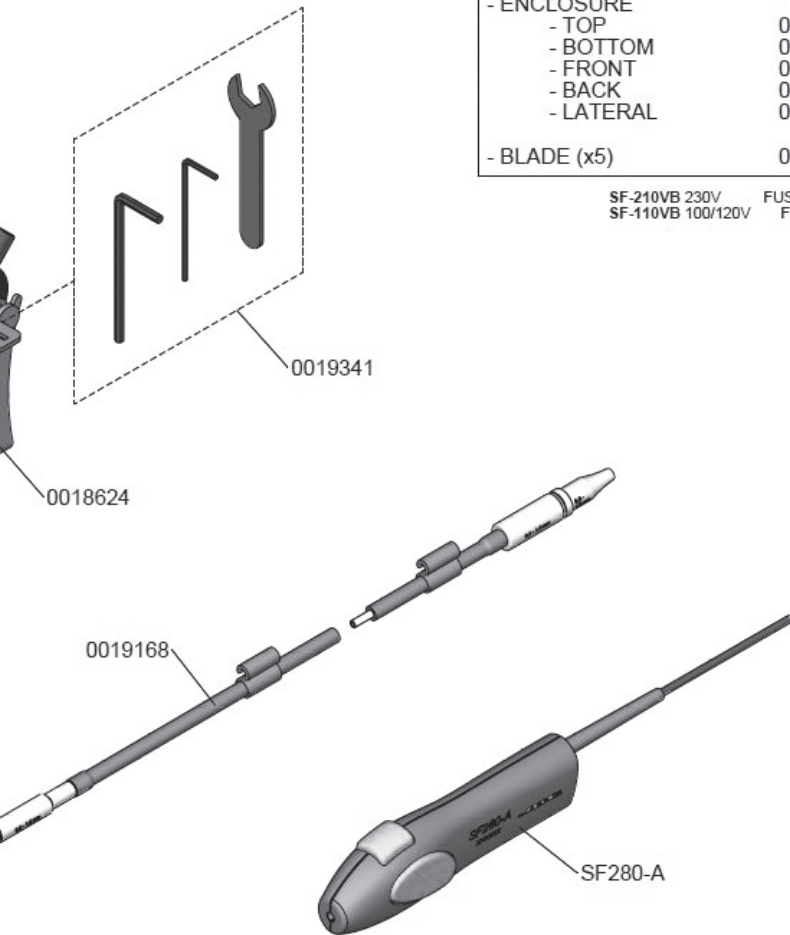


SPARE PARTS

SF-2B / SF-1B:

| | |
|--------------|---------|
| - CIRCUITS: | |
| - SF-2B | 0021720 |
| - SF-1B | 0021721 |
| - ENCLOSURE | |
| - TOP | 0018021 |
| - BOTTOM | 0018019 |
| - FRONT | 0021835 |
| - BACK | 0018022 |
| - LATERAL | 0018023 |
| - BLADE (x5) | 0021555 |

SF-210VB 230V FUSE T-0,125A
SF-110VB 100/120V FUSE T-0,2A



Specifications

SF-110VB 100-120V 50/60Hz. Input fuse: 0.2A.

SF-210VB 230V 50/60Hz. Input fuse: 0.125A.

- Net Weight: 1,9 Kg (4.2 lb)
- Dimensions: 150 x 120 x 115 mm (5.9 x 4.8 x 4.6 in)
- Spool capacity up to 1 kg (2.2 lb)
- Solder diameter Ø0,5-1,5 mm (Ø0.02-0.059 in)
- Max. Wire length 250 mm (9.84 in)
- Max. Forward speed 120 mm/s (4.72 in/s)
- Max. Reverse speed 120 mm/s (4.72 in/s)
- Ambient operating temp: 10 - 40 °C (50 - 104 °F)
- USB connector station-PC
- Robot connector

Complies with CE standards.

ESD protected.

JBC

Warranty

JBC's two-year warranty covers this equipment against all manufacturing defects, including the replacement of defective parts and labour.

Warranty does not cover product wear or misuse.

In case of any manufacturing defect, the equipment must be returned, postage paid, to the dealer where it was purchased. **Please, register your product within 30 days of purchase in www.jbctools.com/productregistration.**



This product should not be thrown in the garbage.

In accordance with the European directive 2002/96/EC, electronic equipment at the end of their life must be collected and returned to an authorized recycling facility.



Manual in other languages available on our website

www.jbctools.com