

JBC

www.jbctools.com



Premium Micro Desoldering station

Ref. DSS-D

Packing List

The following items should be included:

DI Control Unit 1 unit
 Ref. DI-1D (120V)
 DI-2D (230V)
 DI-9D (100V)



Electric Desoldering Module 1 unit
 Ref. MS-A



Desoldering Iron 1 unit
 Ref. DS360-A
Includes C360004 tip



Stand 1 unit
 Ref. DS-SD



ESD Tip Cleaner 1 unit
 Ref. CL8499



Sponge 1 unit
 Ref. S0354



Metal Brush 1 unit
 Ref. CL6217



Brass wool 1 unit
 Ref. CL6210



Stand Cable 2 units
 Ref. 0011283



Module Cable 1 unit
 Ref. 0010207



Power cord 1 unit
 Ref. 0009401 (230V)
 0009417 (100/120V)



Check our website for the corresponding manuals. Also available in other languages.

DS360 Accessories

Ref. 0010259

Solder Collector 2 units
Ref. 0008467



Cleaning brush 1 unit
Ref. 0008297



Tips 10 units
Ref. C360002 (x5)
C360004 (x5)



Cleaning rods 1 unit
Ref. 0008466



Filter 2 units
Ref. 0008473



Union Flanges 1 unit
Ref. 0011356



Cotton Filter 1 unit
Ref. 0781046
It contains 10 filters



Filter Box 1 unit
Ref. 0005966
It contains 50 filters



Suction Filter 1 unit
Ref. 0821830

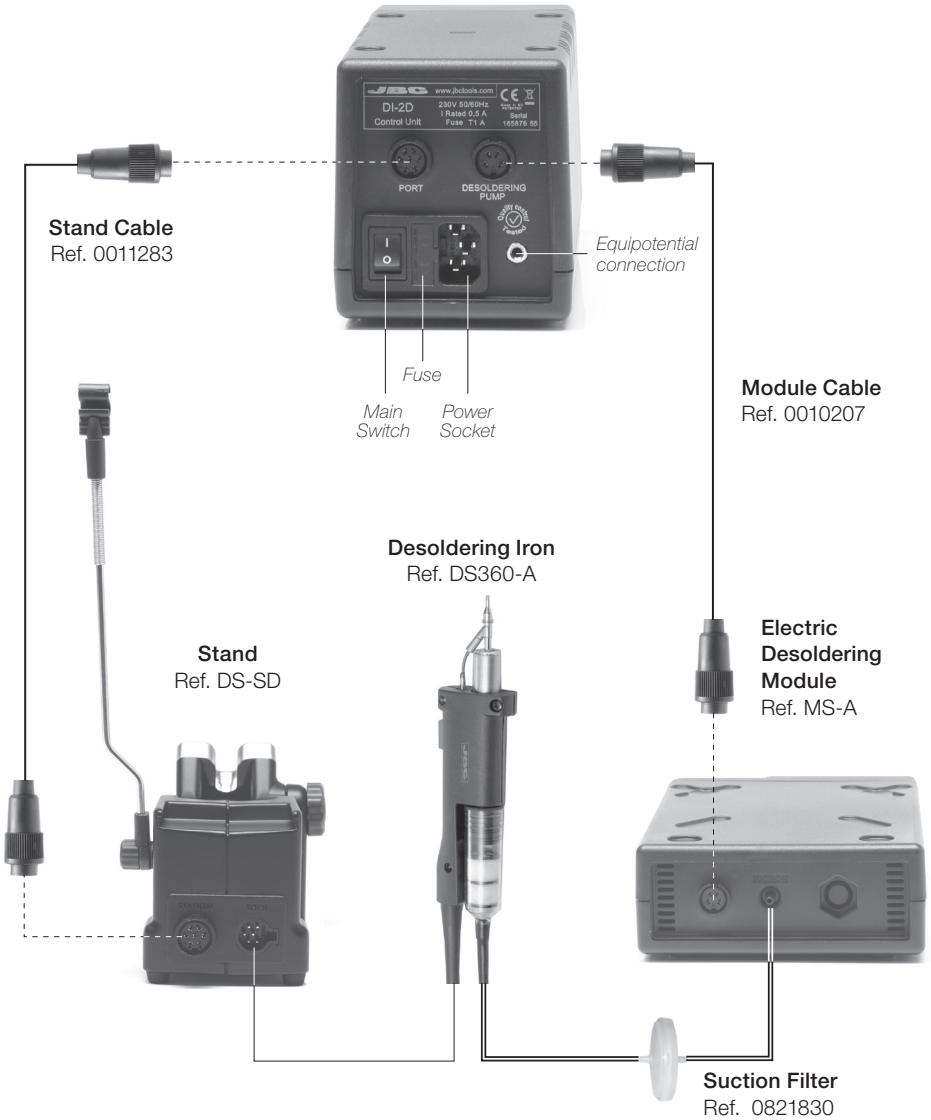


Manual 1 unit
Ref. 0020506



Connections & Features

DI Control Unit
Ref. DI-1D (120V)
DI-2D (230V)
DI-9D (100V)



Compatibility

Select the equipment that best suit your soldering or desoldering needs.

Basic working system				Peripherals			
Control Unit	Stand	Tool	Cartridge Range	MS-A MV-A	MN-A	FS500-1A FS500-2A	P-005
DI-D	AD-SD	T210-A	C210			●	●
		T245-A	C245			●	●
		T470-A	C245			●	●
	DN-SE	T210-NA*	C210		●		
		T245-NA*	C245				
		T470-NA*					
	AP-SD	AP250-A	C250			●	●
	PA-SD	PA120-A	C120			●	●
	HT-SD	HT420-A	C420			●	●
	DS-SD	DS360-A	C360	●			●
DR-SD	DR560-A	C560	●			●	

* The **MN-A Nitrogen Flow Regulator** is required.

Maintenance

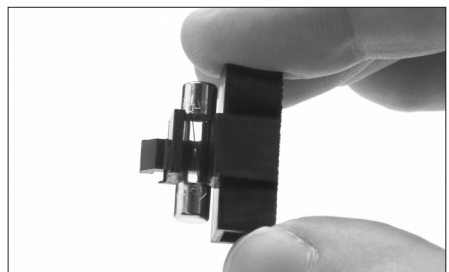
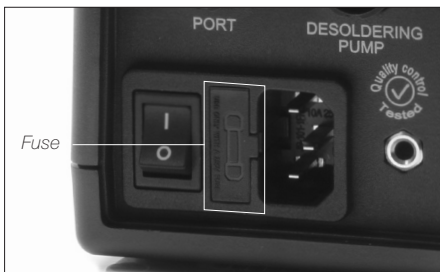
Before carrying out maintenance or storage, always allow the equipment to cool and unplug the stand from the station and the tool.

- Clean the station screen with a glass cleaner or a damp cloth.
- Use a damp cloth to clean the casing, the stand and the tool. Alcohol can only be used for cleaning the metal parts.
- Periodically check that the metal parts of the tool and stand are clean so that the station can detect the tool status.
- Maintain tip surface clean and tinned prior to storage in order to avoid tip oxidation. Rusty and dirty surfaces reduce heat transfer to the solder joint.
- Periodically check all cables, tubes and filters to ensure proper solder suction.
- Replace a blown fuse as follows:



1. Pull off the fuse holder and remove the fuse. If necessary use a tool to lever it off.

2. Press the new fuse into the fuse holder and replace it in the station.



- Replace any defective or damaged pieces. Use original JBC spare parts only.
- Repairs should only be performed by a JBC authorized technical service.

Safety



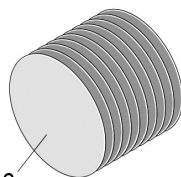
It is imperative to follow safety guidelines to prevent electric shock, injury, fire or explosion.

- Do not use the units for any purpose other than soldering or rework. Incorrect use may cause fire.
- The power cord must be plugged into approved bases. Be sure that it is properly grounded before use. When unplugging it, hold the plug, not the wire.
- Do not work on electrically live parts. Antistatic handle of soldering irons is electrically conductive.
- The tool should be placed in the stand when not in use in order to activate the sleep mode. The soldering tip, the metal part of the tool and the stand may still be hot even when the station is turned off. Handle with care, including when adjusting the stand position.
- Do not leave the appliance unattended when it is on.
- It is necessary to turn the station off before changing tips.
- Do not cover the ventilation grills. Heat can cause inflammable products to ignite.
- Avoid the contact of flux with skin or eyes to prevent irritation
- Be careful with the fumes produced when soldering.
- Keep your workplace clean and tidy. Wear appropriate protection glasses and gloves when working to avoid personal harm.
- Utmost care must be taken with liquid tin waste which can cause burns.
- This appliance can be used by children over the age of eight and also persons with reduced physical, sensory or mental capabilities or lack of experience provided that they have been given adequate supervision or instruction concerning use of the appliance and understand the hazards involved. Children must not play with the appliance.
- Maintenance must not be carried out by children unless supervised.

Exploded View

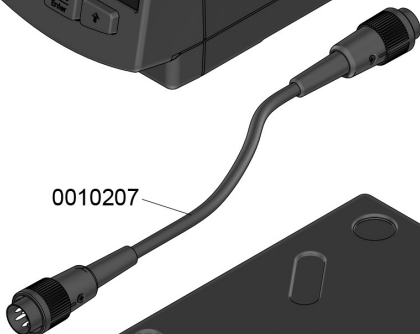
DSS-1D 120V
DSS-2D 230V
DSS-9D 100V
PREMIUM MICRO DESOLDERING STATION
 FROM SERIE 194804

DI-1D / DI-2D / DI-9D

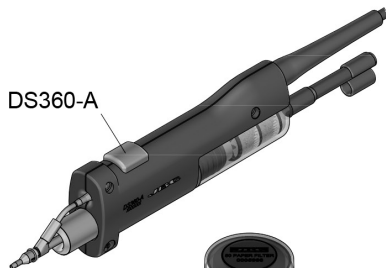


0781046

0010207



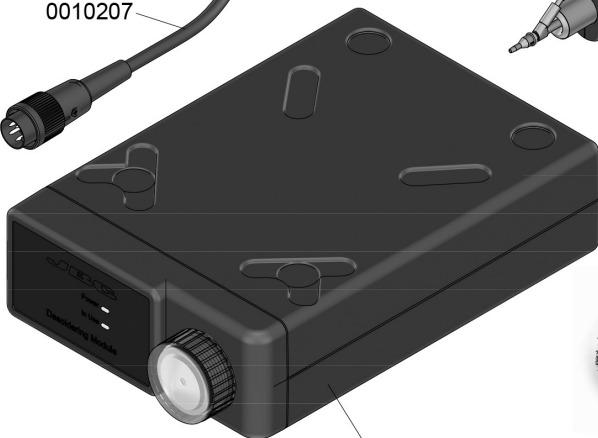
DS360-A



0005966



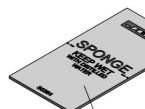
CL6217



MS-A



CL6210



S03

DI-
-CI
-EN
MS
-CI
-EN
-PU

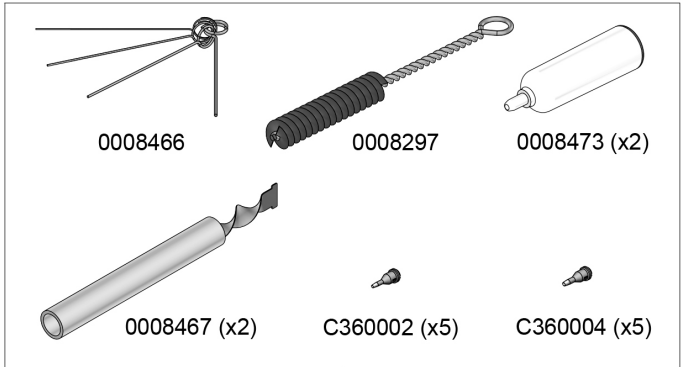
SPARE PARTS

1D / DI-2D / DI-9D:

CIRCUIT	0015109
ENCLOSURE	
· TOP	0011435
· BOTTOM	0014032
· FRONT	0013830
· BACK	0003506

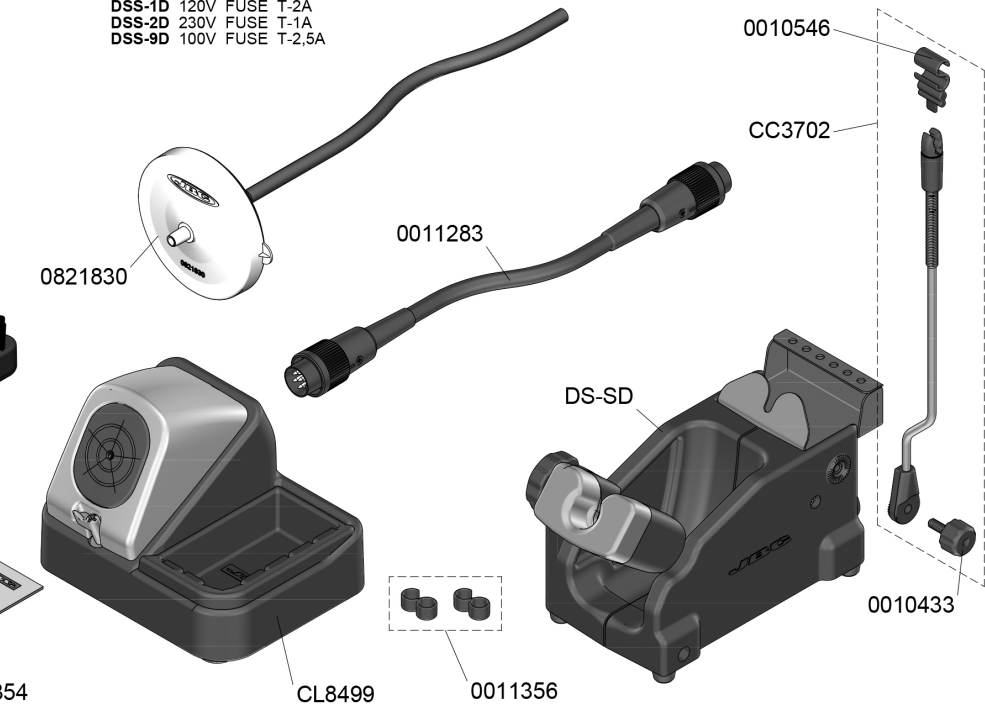
-A:

CIRCUIT	0017886
ENCLOSURE	
· TOP	0015266
· BOTTOM	0014010
· FRONT	0008835
· BACK	0014547
JUMP	0005652



0010259

DSS-1D 120V FUSE T-2A
 DSS-2D 230V FUSE T-1A
 DSS-9D 100V FUSE T-2,5A



54

有害物质含量表

产品中有害物质的名称及含量

部件名称	有害物质					
	铅(Pb)	汞(Hg)	镉(Cd)	六价铬 (Cr(VI))	多溴联苯 (PBB)	多溴二苯醚 (PBDE)
烙铁头	○	○	○	○	○	○
手柄	○	○	○	○	○	○
电源线	○	○	○	○	○	○
主机	○	○	○	○	○	○
电源插座	○	○	○	○	○	○
保险丝	○	○	○	○	○	○
主开关	○	○	○	○	○	○
电位连接	X	○	○	○	○	○
变压器	○	○	○	○	○	○
线路板	X	○	○	○	○	○

○ 表示该有害物质在该部件所有均质材料中的含量均在GB/T 26572 规定的限量要求以下。
 X 表示该有害物质至少在该部件的某一均质材料中的含量超出GB/T 26572 规定的限量要求。

Specifications

Premium Micro Desoldering Station

DSS-1D / DSS-2D / DSS-9D

- Total weight: 5,8 kg (12.8 lb)

DI-1D 120V 50/60Hz. Input fuse: 2A. Output: 23.5V.

DI-2D 230V 50/60Hz. Input fuse: 1A. Output: 23.5V.

DI-9D 100V 50/60Hz. Input fuse: 2.5A. Output: 23.5V.

- Weight: 2,153 kg (4.74 lb)
- Dimensions: 90 x 105 x 180 mm (3.54 x 4.13 x 7.09 in)
- Output Peak Power: 130W
- Temperature Range: 90 - 450 °C (190 - 840 °F) (±5%)
- Idle Temp. Stability (still air): ±1.5 °C / ±3 °F
- Tip to ground resistance: < 2 ohms
- Tip to ground voltage: < 2mV RMS
- Ambient operating temp: 10 - 40 °C (50 - 104 °F)
- Connections: USB-B / Peripherals connectors

MS-A

- Weight: 1,19 kg (2.63 lb)
- Dimensions: 145 x 55 x 225 mm (5.71 x 2.17 x 8.86 in)
- Vacuum: 75% / 570 mmHg / 22.4 inHg
- Flow rate: 9 SLPM
- Ambient operating temp: 10 - 40 °C (50 - 104 °F)

Complies with CE standards.
ESD protected housing.

JBC

Warranty

JBC's 2 year warranty covers this equipment against all manufacturing defects, including the replacement of defective parts and labour.

Warranty does not cover product wear or misuse.

In order for the warranty to be valid, equipment must be returned, postage paid, to the dealer where it was purchased.

Register your warranty within 30 days of purchase in www.jbctools.com/productregistration



This product should not be thrown in the garbage.

In accordance with the European directive 2002/96/EC, electronic equipment at the end of their life must be collected and returned to an authorized recycling facility.



Manual in other languages available on our website

www.jbctools.com