

CA-1QF 120V
CA-2QF 230V
CA-9QF 100V

SOLDER FEED STATION

CA-1F / CA-2F / CA-9F

CC1001



0010433

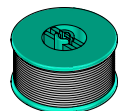
SPARE PARTS	
CA-1F / CA-2F / CA-9F:	
-CIRCUIT	0025013
-ENCLOSURE	0023639
-TOOL STAND	0014706
-SPLASHGUARD	0017576
-ANTISPLASH MEMBRANE	0017574

EARTHING FUSE F 1.25A

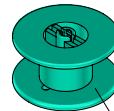
CA-1QF 120V FUSE T-2A

CA-2QF 230V FUSE T-1A

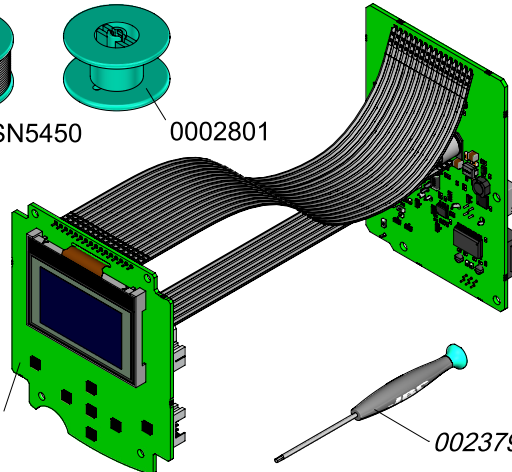
CA-9QF 100V FUSE T-2A



SN5450

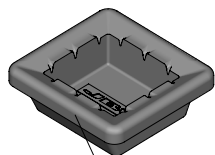


0002801

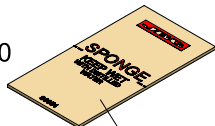


0025013

0023792



CL0160

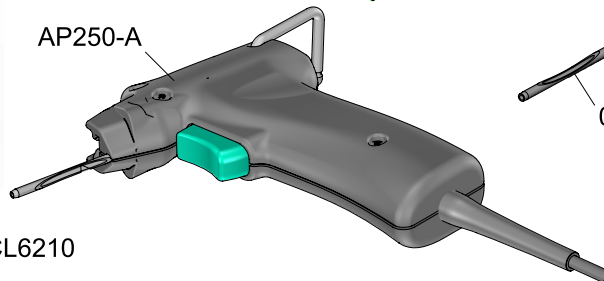


S0354



CL6210

AP250-A



0016351