

# JBC

[www.jbctools.com](http://www.jbctools.com)

## INSTRUCTION MANUAL



### AL250

Auto-Feed Soldering Iron

This manual corresponds to the following reference:

**AL250-B**

for AL Auto-Feed Soldering Station

**Packing List**

The following items are included:



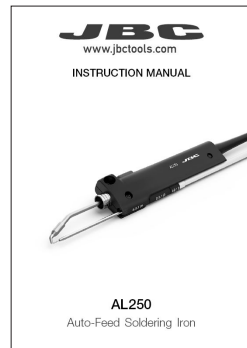
**Auto-Feed Soldering Iron** ..... 1 unit

*Includes: Cartridge Ref. C250403*

*and GAL0910 Guide Tube Ø 0,9 - 1 mm (0.035 - 0.04 in), Ref. 0002401*



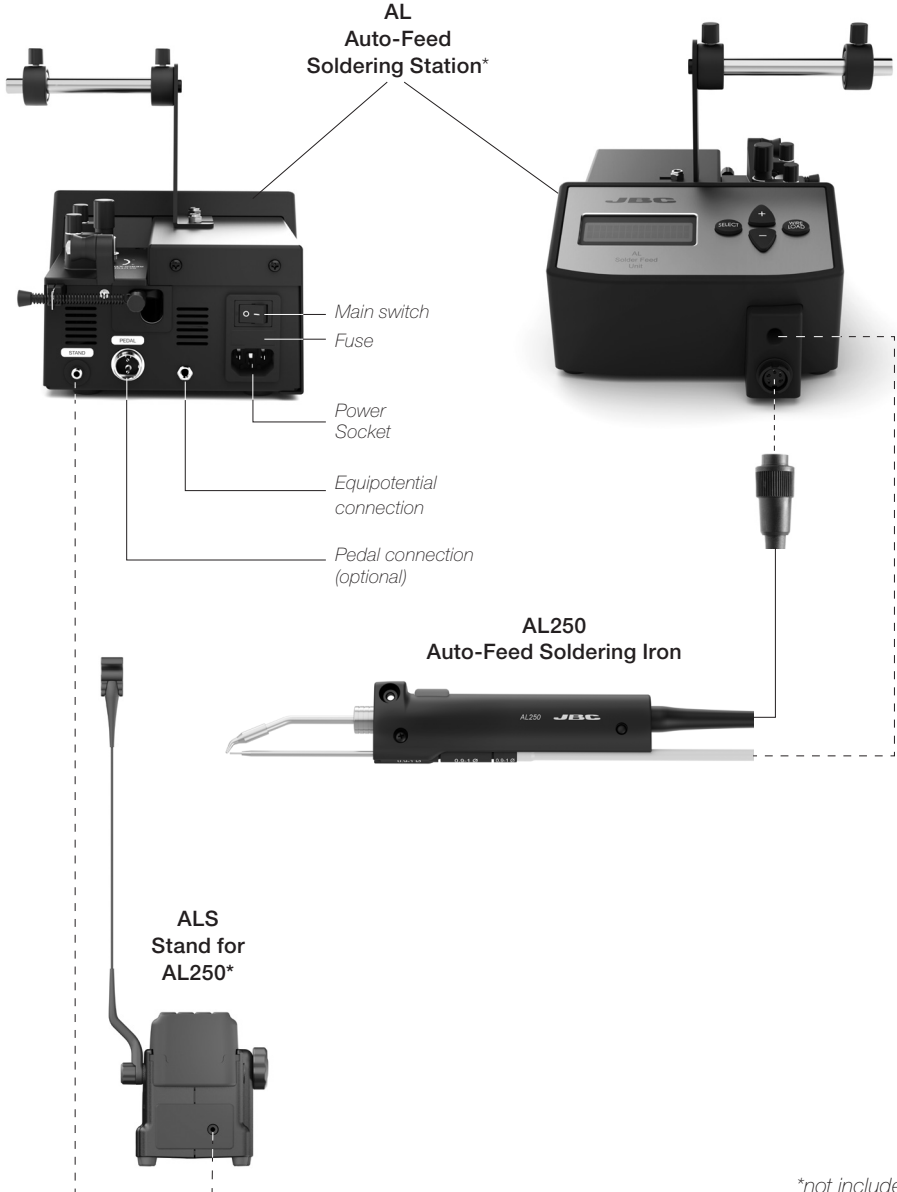
**Allen Key 2,5mm** ..... 1 unit  
Ref. 0023792



**Manual** ..... 1 unit  
Ref. 0028674

## Features and Connections

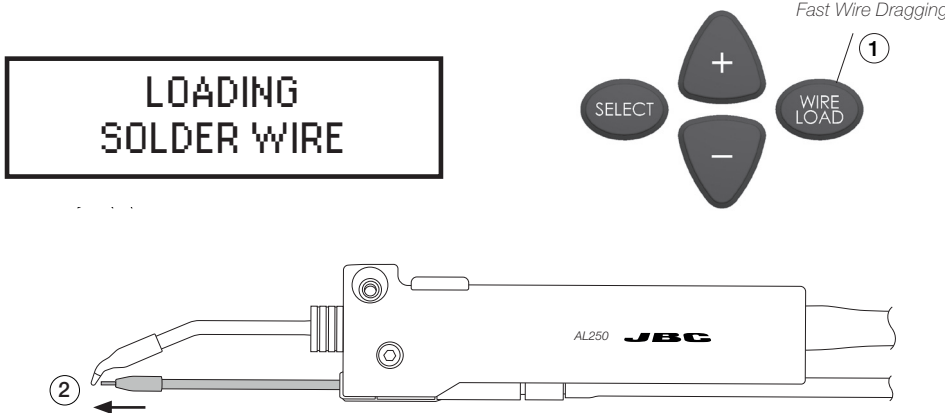
AL250 Auto-Feed Iron is compatible only with AL Auto-Feed Soldering Station.



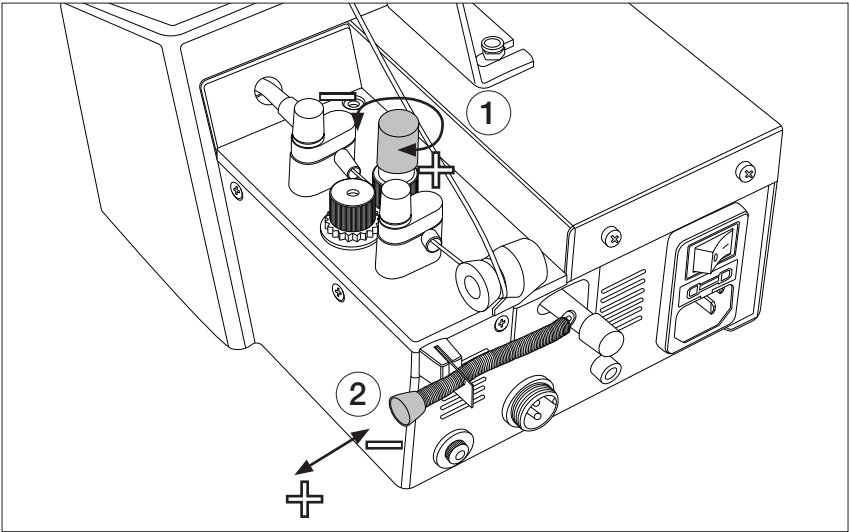
*\*not included*

# Solder Wire Loading

Connect the tool to the station and switch the station on. With the tool out of the stand, press the WIRE LOAD (1) key at the station till the solder wire comes out at the guide tube end (2).



# Clutch Regulation

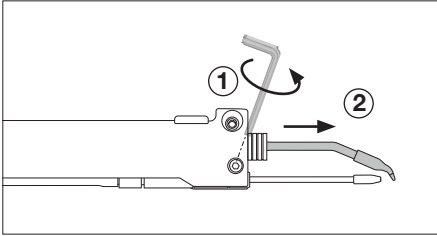


Adjust the dragging strength (1) to enable the solder wire to be passed on properly and to avoid any jamming or clogging.  
Fix the dragging mechanism by tighten more or less (2) the sprung element.

## Changing Cartridges

⚠ For a safe cartridge change, unplug the tool or turn the station off before following these guidelines.

### A. Unlocking



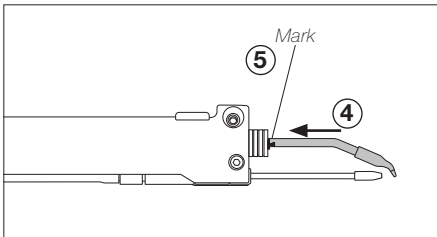
Loosen the cartridge screw (1) to release the cartridge (2).

### B. Removing



Place the cartridge in the extractor and pull the tool to remove the cartridge (3).

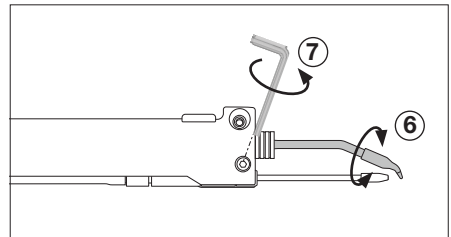
### C. Inserting



Place a new cartridge into the auto-feed iron (4).

**Important:** For a good connection it is essential to insert the cartridge till the end, until the mark (5).

### D. Adjusting



Align the cartridge tip with the guide nozzle (6) and tighten the cartridge screw (7).

## Compatible Cartridges

AL250 Auto-Feed Iron works with C250 cartridges. Find the model that best suits your soldering needs in [www.jbctools.com](http://www.jbctools.com)



Conical Bent



Chisel



Chisel Bent



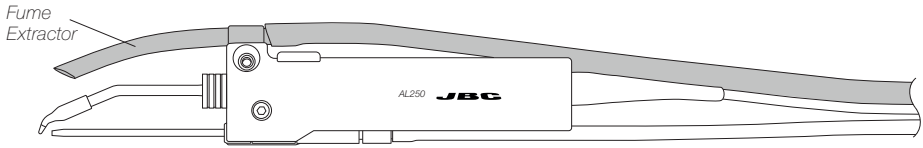
Bevel

# Accessories

## Fume Extractor

Ref. F4468 - 2 m (78.74 ft) lenght.

The fume extractor for the Auto-Feed Iron is an easy & safe solution to suck the fume generated at the solder joint.



## Handsfree Stand

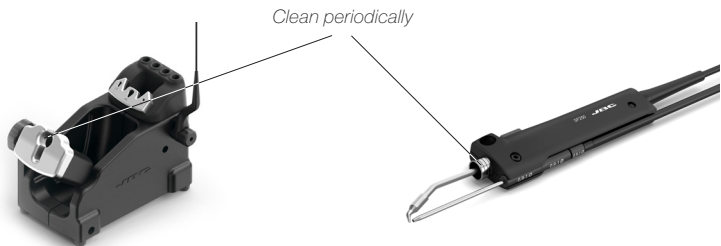
Ref. AL-IA

Indispensable for using the Auto-Feed Iron while having both hands free. Suitable for Auto-Feed Iron Ref. AL250-B and Ref. 0027332.



# Maintenance

- Before carrying out maintenance, always unplug the stand and the tool.
- Check periodically that the metal parts of the tool and the stand are clean to ensure detection of the tool when it is in the stand. Use a damp cloth or alcohol.
- Periodically check all cables and tubes connections.
- Replace any defective or damaged pieces. Use original JBC spare parts only. Repairs should only be performed by a JBC authorized technical service.



## Safety

**It is imperative to follow safety guidelines to prevent electric shock, injury, fire or explosion.**

- Do not use the tool for any purpose other than soldering or rework.
- The power cord must be plugged into approved bases. Be sure that it is properly grounded before use. When unplugging it, hold the plug, not the wire.
- The tool should be placed in the stand when not in use in order to activate the sleep mode. The soldering tip, the metal part of the tool and the stand may still be hot even when the station is turned off. Handle with care, including when adjusting the stand position.
- Avoid the contact of flux with skin or eyes to prevent irritation.
- Be careful with the fumes produced when soldering.
- Keep your workplace clean and tidy. Wear appropriate protection glasses and gloves when working to avoid personal harm.
- Utmost care must be taken with liquid tin waste which can cause burns.
- This appliance can be used by children over the age of eight and also persons with reduced physical, sensory or mental capabilities or lack of experience provided that they have been given adequate supervision or instruction concerning use of the appliance and understand the hazards involved. Children must not play with the appliance.
- Maintenance must not be carried out by children unless supervised.

# Specifications

## AL250

### Auto-Feed Soldering Iron

Ref. AL250-B

- |                              |                                  |
|------------------------------|----------------------------------|
| - Guide Tube GAL0910:        | Ø 0.9 - 1 mm / 0.035 - 0.04 in   |
| - Total Net Weight:          | 148 g / 0.33 lb                  |
| - Package Dimensions/Weight: | 300 x 125 x 65 mm / 257 g        |
| (L x W x H)                  | 11.81 x 4.92 x 2.56 in / 0.57 lb |

Complies with CE standards.  
ESD safe

# JBC

## Warranty

JBC's 2 year warranty covers this equipment against all manufacturing defects, including the replacement of defective parts and labour.

Warranty does not cover product wear or misuse.

In order for the warranty to be valid, equipment must be returned, postage paid, to the dealer where it was purchased.

**Get 1 extra year JBC warranty by registering here:**  
<https://www.jbctools.com/productregistration/>  
**within 30 days of purchase.**



This product should not be thrown in the garbage.

In accordance with the European directive 2012/19/EU, electronic equipment at the end of its life must be collected and returned to an authorized recycling facility.



[www.jbctools.com](http://www.jbctools.com)

0028674-220722