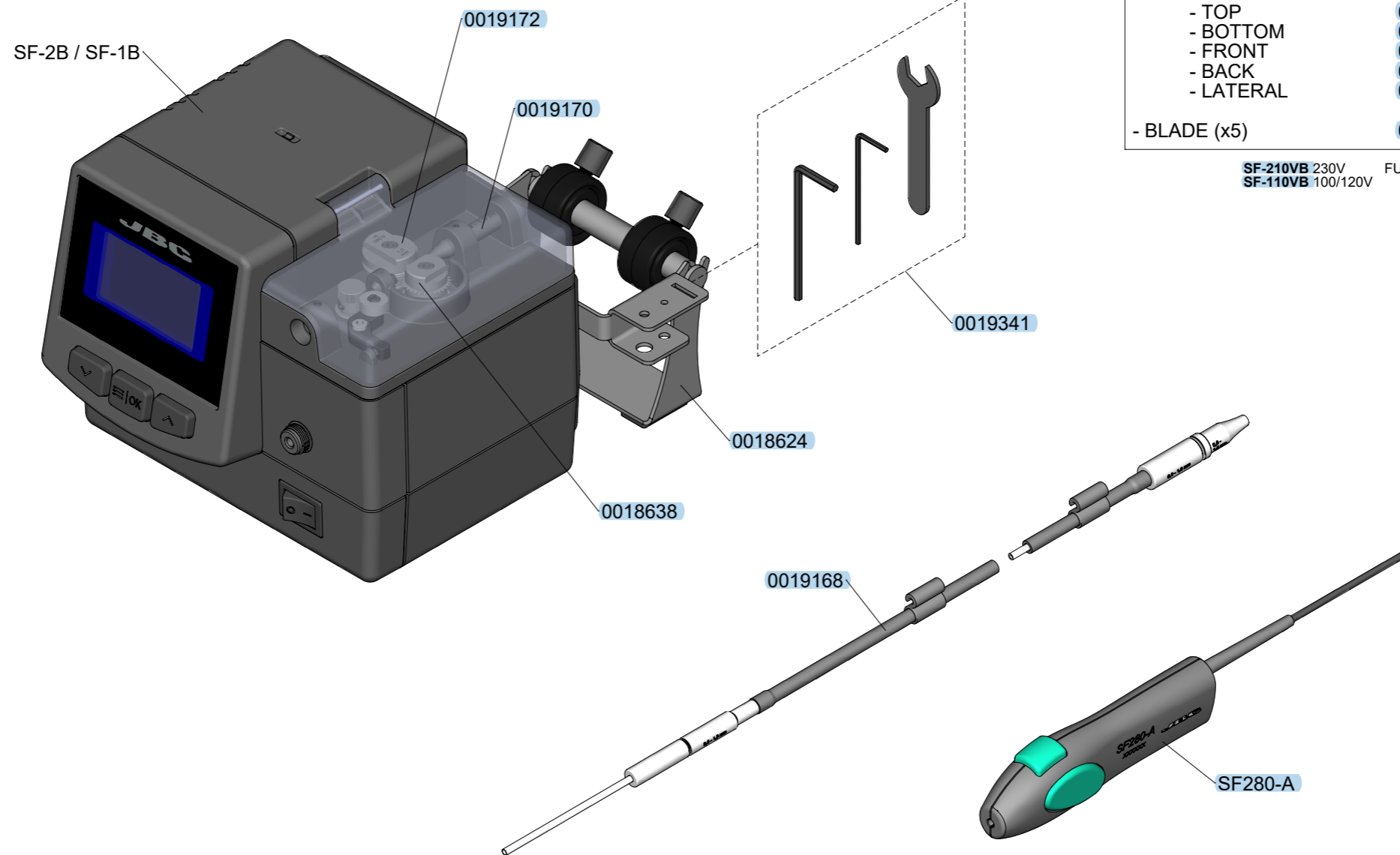


**SF-210VB** 230V  
**SF-110VB** 100/120V  
 AUTOMATIC SOLDER FEEDER



SPARE PARTS	
<b>SF-2B / SF-1B:</b>	
- CIRCUITS:	
- SF-2B	0021720
- SF-1B	0021721
- ENCLOSURE	
- TOP	0018021
- BOTTOM	0018019
- FRONT	0021835
- BACK	0018022
- LATERAL	0018023
- BLADE (x5)	0021555

SF-210VB 230V FUSE T-0,125A  
 SF-110VB 100/120V FUSE T-0,2A

ADDITIONAL DESCRIPTION <b>PLANO COMERCIAL</b>		DRAWN BY D. Amigó	<b>RoHS Compliant</b>	GENERAL TOLERANCES
<b>JBC</b> www.jbctools.com	DATE 05/06/2018	TECHNICAL DOC. 7309	DIMENSIONS IN MILLIMETERS	<b>ISO 2768-f</b>
	SUBSTITUTES	COMPATIBLE	INSPECT. GUIDELINE 3035	DIN A3
DESCRIPTION <b>EST.APORT.ESTAÑO CUT Ø1 230V.</b>		PART NUMBER <b>SF-210VB</b>	DRAWING No. <b>76169</b>	