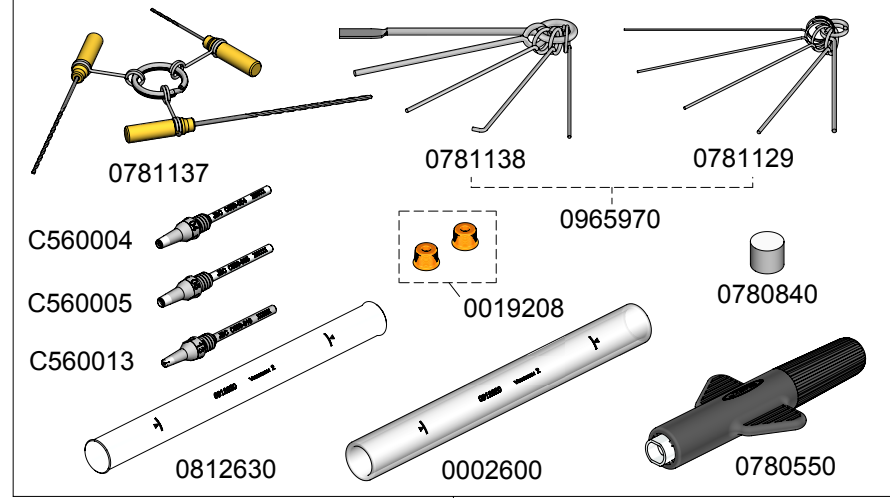


DIV-1D 120V
DIV-2D 230V
DIV-9D 100V

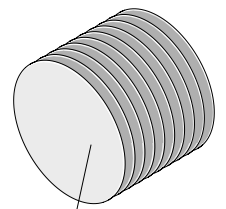
**PREMIUM DESOLDERING STATION
 WITH PNEUMATIC PUMP
 FROM SERIE 194804**

| SPARE PARTS | |
|-------------------------------|---------|
| DI-1D / DI-2D / DI-9D: | |
| -CIRCUIT | 0015109 |
| -ENCLOSURE | |
| · TOP | 0011435 |
| · BOTTOM | 0014032 |
| · FRONT | 0013830 |
| · BACK | 0003506 |
| MV-A: | |
| -CIRCUIT | 0006811 |
| -ENCLOSURE | |
| · TOP | 0008843 |
| · BOTTOM | 0008844 |
| · FRONT | 0008835 |
| · BACK | 0008845 |
| -SOLENOID VALVE | 0006813 |

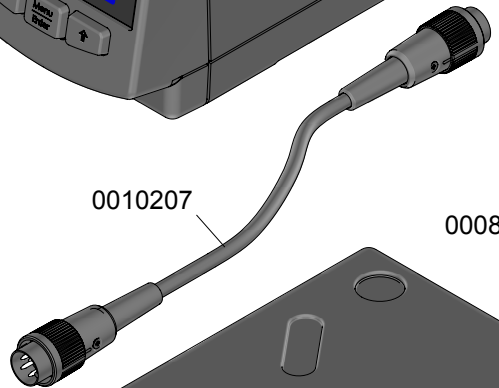


DIV-1D 120V FUSE T-2A
DIV-2D 230V FUSE T-1A
DIV-9D 100V FUSE T-2,5A

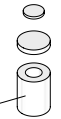
DI-1D / DI-2D / DI-9D



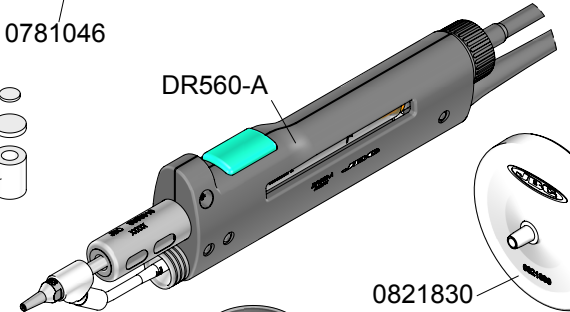
0010207



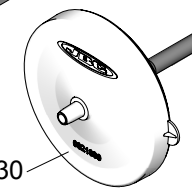
0008446



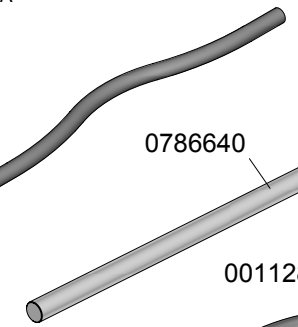
DR560-A



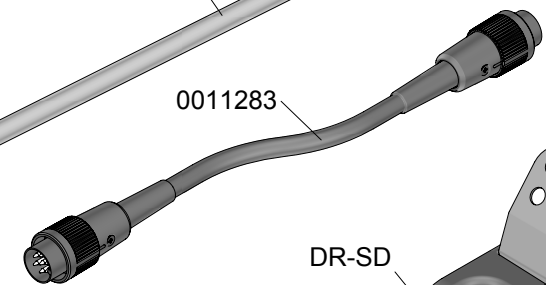
0821830



0786640

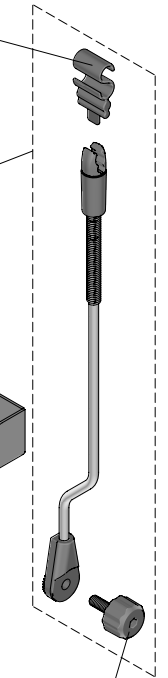


0011283



0010546

CC3702



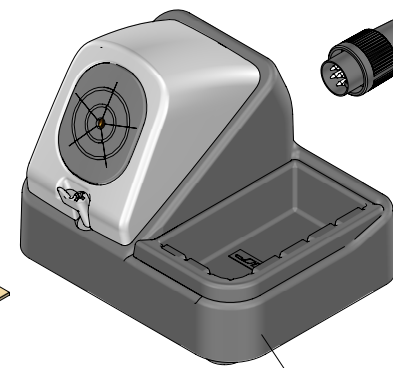
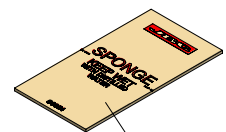
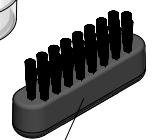
0010433



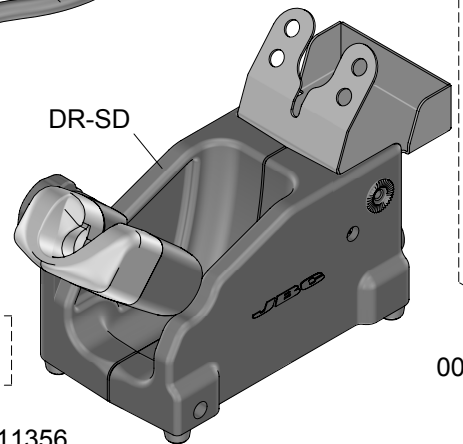
0005966



CL6217



DR-SD



0011356