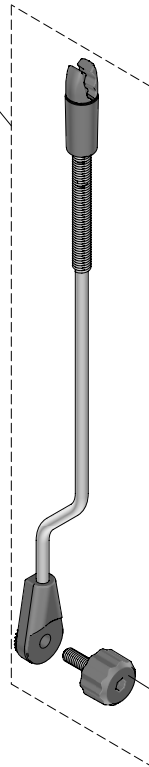


CD-1BQE 120V
CD-2BQE 230V
CD-9BQE 100V
SOLDERING STATION
 FROM SERIE 211493

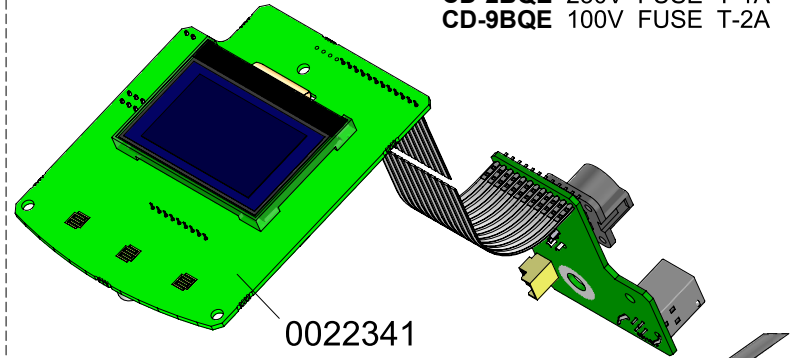
CD-1E / CD-2E / CD-9E

CC3702



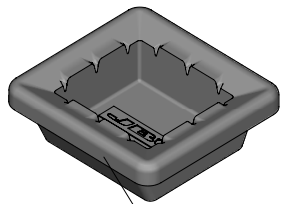
SPARE PARTS	
CD-1E / CD-2E / CD-9E:	
-CIRCUIT	0022341
-ENCLOSURE	0021694
-TOOL STAND	0012994
-SPLASHGUARD	0017576
-ANTISPLASH RUBBER	0017574

CD-1BQE 120V FUSE T-2A
CD-2BQE 230V FUSE T-1A
CD-9BQE 100V FUSE T-2A

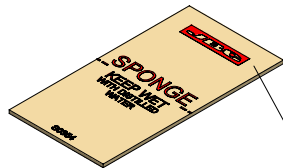


0022341

0010433



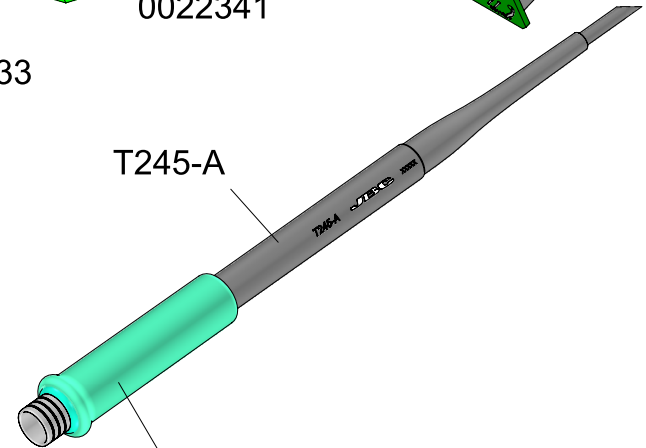
CL0160



S0354



CL6210



T245-A

0016057