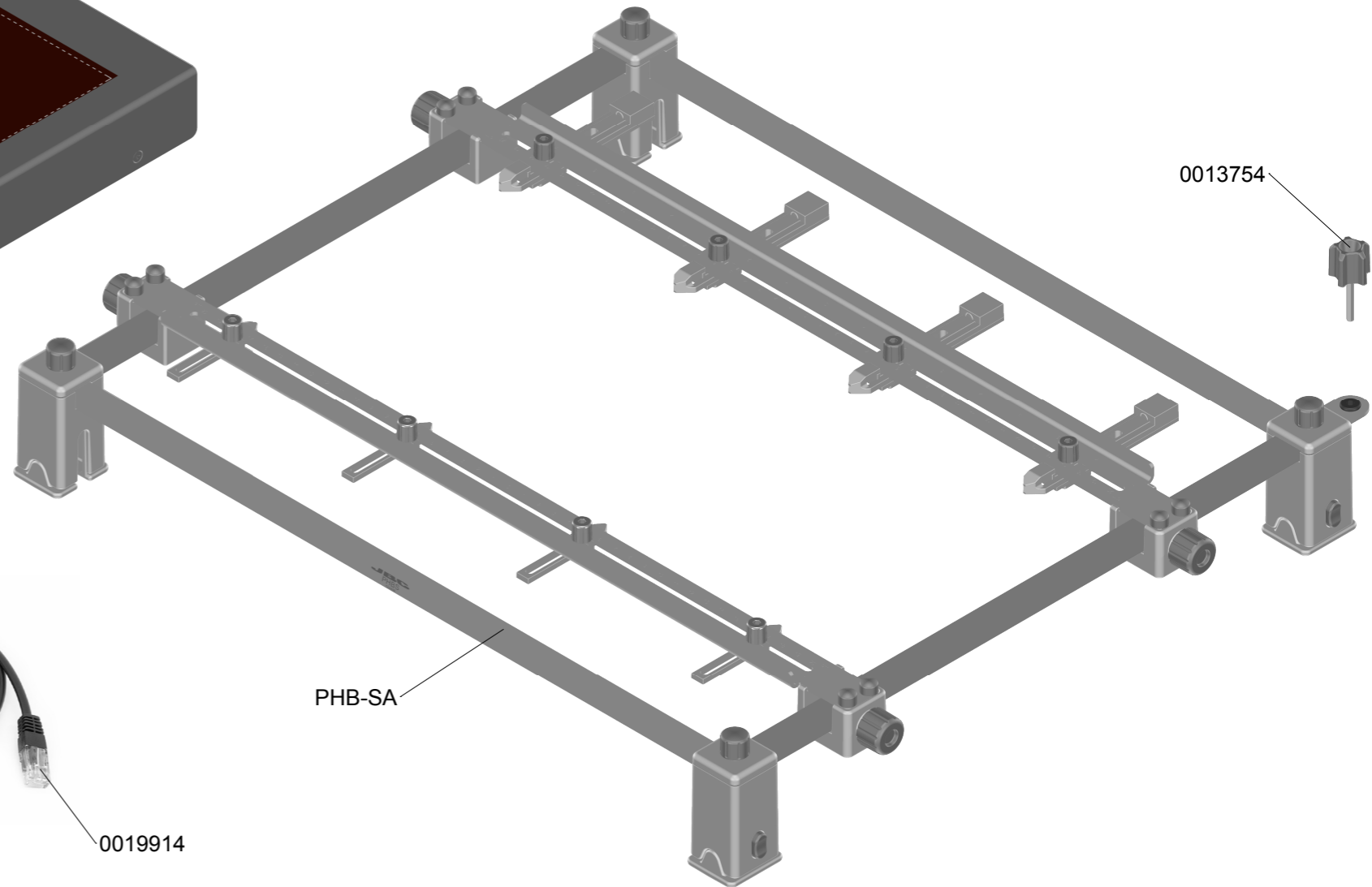
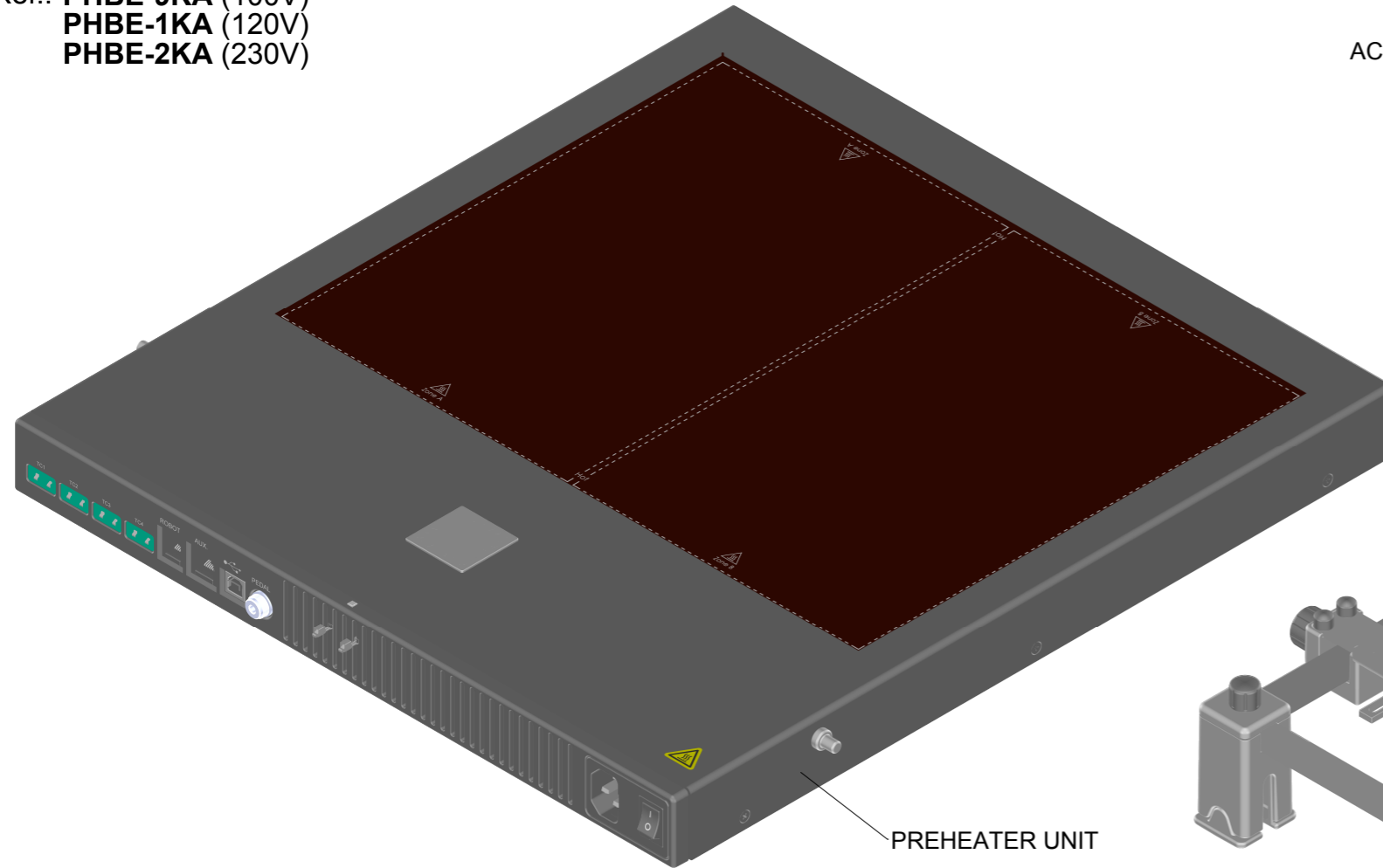


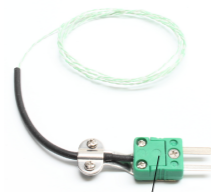
PHBEK

Preheater Set for PCBs up to 36 x 28 cm / 14 x 11"

Ref.: **PHBE-9KA** (100V)
PHBE-1KA (120V)
PHBE-2KA (230V)



PH217



PH218 (x2)



0019914

SPARE PARTS	
PREHEATER UNIT:	
-CIRCUIT (230V):	0021126
-CIRCUIT (120V):	0021127
-CIRCUIT (100V):	0021128

PHBE-1KA 120V FUSE T-20A
PHBE-2KA 230V FUSE T-10A
PHBE-9KA 100V FUSE T-20A