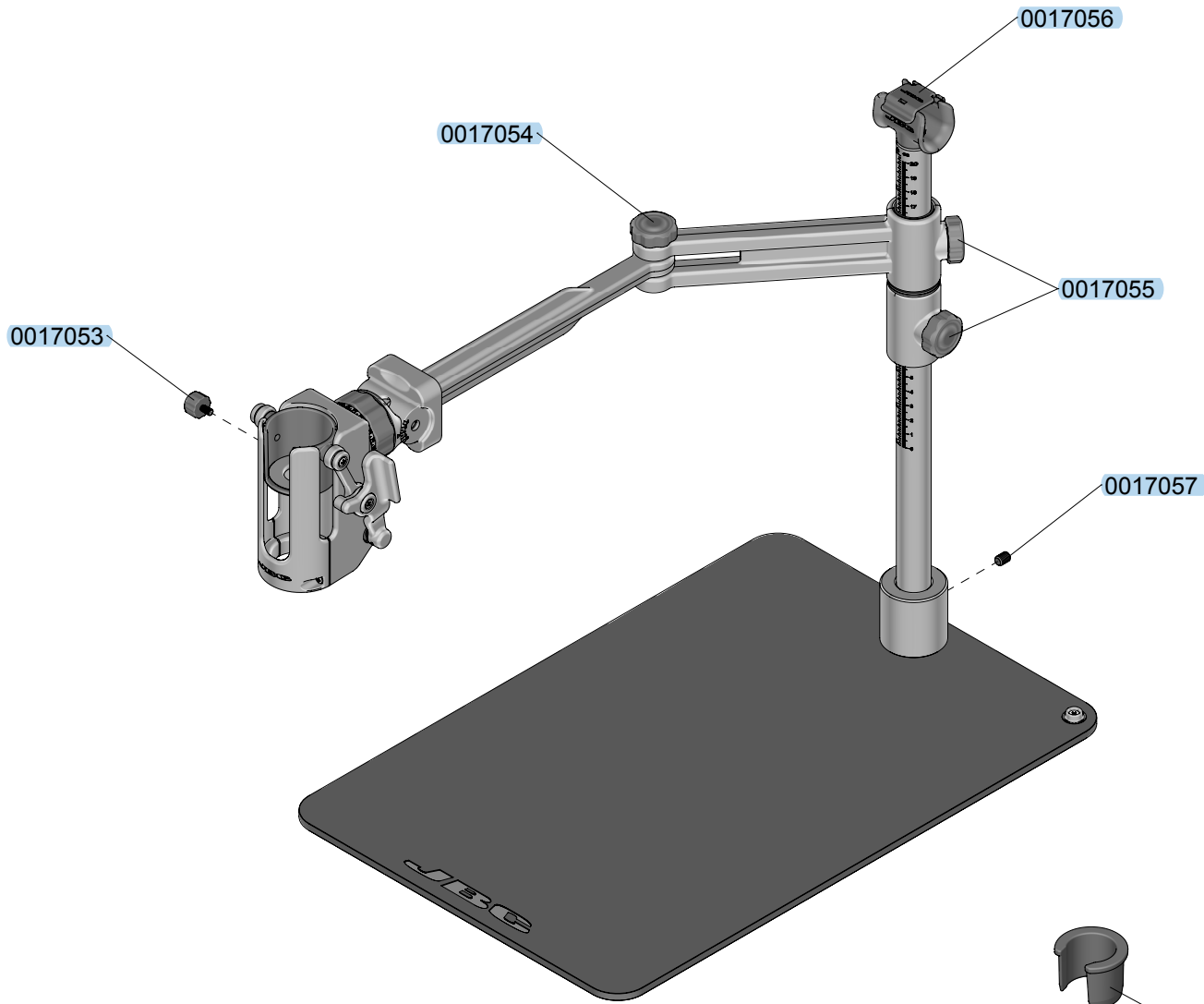


RWS-B

REWORK ADJUSTABLE ARM



SPARE PARTS

RWS:

- TOOL HEIGH ADJ. KNOB: 0017053
- ROTATION ADJ. KNOB: 0017054
- HEIGHT ADJ. KNOB: 0017055
- HOSE CLAMP: 0017056
- SCREW: 0017057
- JT TOOL ADAPTER: 0017058
- TE TOOL ADAPTER: 0017059

