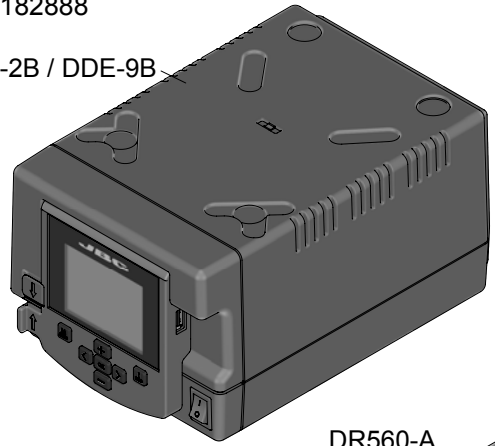


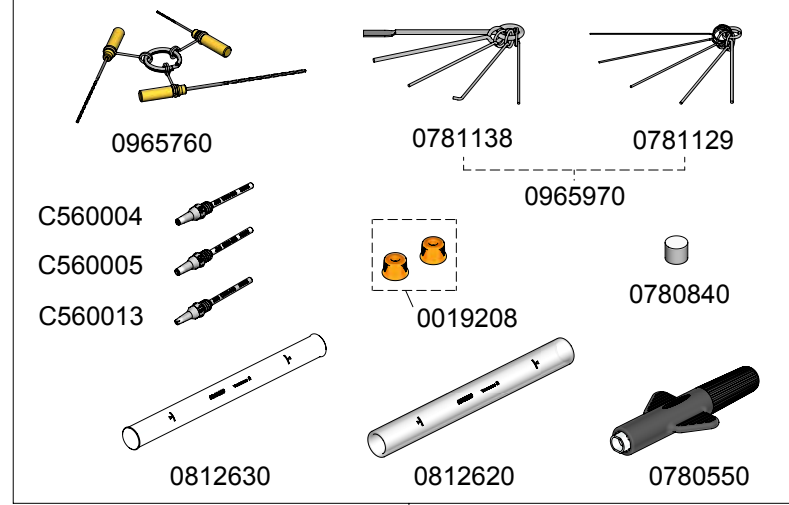
DDSE-1B 120V
DDSE-2B 230V
DDSE-9B 100V

REWORK STATION
 WITH ELECTRIC PUMP
 FROM SERIE 182888

DDE-1B / DDE-2B / DDE-9B



SPARE PARTS	
DDE-1B / DDE-2B / DDE-9B:	
-REAR CIRCUIT	0018129
-ENCLOSURE	
· TOP	0019028
· BOTTOM	0014567
· FRONT+DISPLAY	0016312
· BACK	0013413
MSE-A:	
-CIRCUIT	0014058
-ENCLOSURE	
· TOP	0015266
· BOTTOM	0014010
· FRONT	0014688
· BACK	0015261
-PUMP	0005652



DDSE-1B 120V FUSE T-4A
DDSE-2B 230V FUSE T-2A
DDSE-9B 100V FUSE T-5A

